



Model 4

Compound Leverage Arbor Press
Instruction and Parts list

MODEL 4

<u>Item</u>	<u>Part Name</u>	<u>Part No.</u>
1	Frame	260
2	Ram Cap	261
3	Table	262
4	Table Plate	701227
5	Table Pawl	265
6	Table Pawl Handle	266
7	Table Clamp	267
8	Table Clamp Nut	43922
10	Table Crank	270
11	Table Pinion	271
12	Compound	272
13	Leverweight	273
14	Pawl	274
15	Ram (2" x 2" x 24")	275
16	Collar	276
17	Handbrake	277
18	Handbrake Clamp	278
19	Table Washer (2 required)	279
20	Compound Rest Pin	280
21	Table Spring (2 required)	281

<u>Item</u>	<u>Part Name</u>	<u>Part No.</u>
22	Table Stud (2 required)	282
23	Handle	283
24	Ratchet Pawl Pin	284
25	Lever Pin	285
26	Long Sliding Pin (1" x 10 1/2")	286
27	Table Pawl Shaft	287
28	Short Sliding Pin (1" x 6 1/4")	288
29	Handbrake Stud	289
30	Spindle	290
31	Table Pinion Shaft	291
32	Handwheel	294
33	Mandrel Catcher	243
34	Spring	579

Please contact factory for current prices.

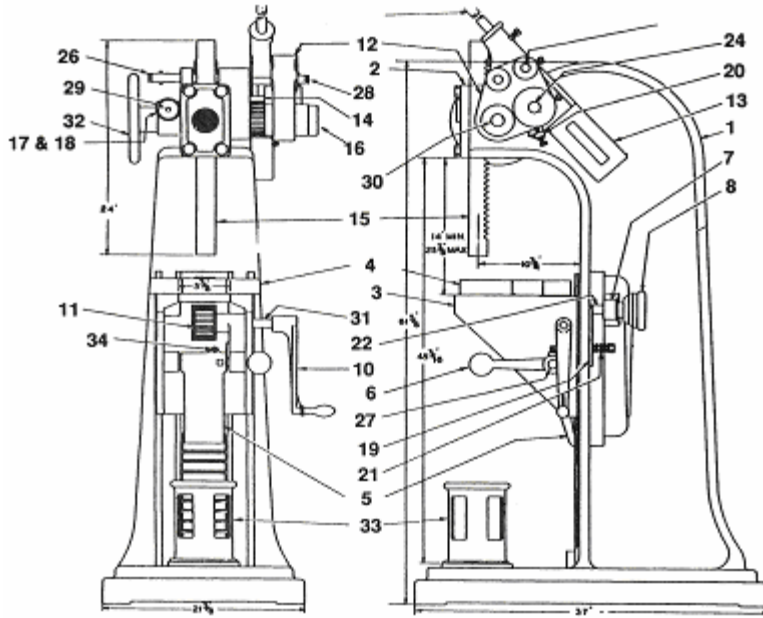
Ordering information: Please order all repair parts by part number and name, also mention model number of press. All parts are shipped F.O.B. Factory in Grand Haven, MI.

Lubrication: Keep all working parts of the press well oiled for easier operation. Also keep a light film of oil over the entire surface of the ram to prevent rust.

DAKE

Division of JSJ Corp.
 724 Robbins Road
 Grand Haven, MI 49417

Phone: 616-842-7110 800-937-3253
 Fax: 616-842-0859 800-846-3253
 E-Mail: customerservice@dakecorp.com
 technicalservice@dakecorp.com
 Website: www.dakecorp.com



SAFETY

⚠ WARNING		
		
Establish solid footing to prevent falls.	Keep hand away from point of operation. Read instructions.	Guard workpiece to prevent projectiles from reaching operator. Wear eye protection.

⚠ WARNING
Equipment must be securely anchored to prevent tipping.


⚠ WARNING

Beware handle can free fall if either the long or short pin is not engaged.

This is the safety alert symbol. When you see this symbol on your press, be alert to the potential for personal injury.


Follow recommended precautions and safe operating practices.

<p>Carefully read all safety messages in these instructions and on your press safety signs. Keep safety labels in good condition. Replace missing or damaged safety labels.</p>	<p>This machine is intended to be operated by one person. This person should be conscious of the press ram movement not only for themselves but also for persons in the immediate area of the machine.</p>	<p>Under no circumstances increase the leverage ratio of the press by using a longer handle or by placing a pipe over the handle. Never hammer on top of the ram.</p>
--	---	--

NOTE: Please refer to parts drawing for identification of components outlined on this safety warning sticker.

Model: 4

⚠ WARNING



Beware of pinch points, handle to frame and ram to table or work.

Beware handle can free fall if pawl and gear are not engaged.

Never pull handle beyond horizontal plane allowing disengagement of pawl and gear.

Always bring ram to work or table with handwheel while holding pressing handle up ensuring engagement of pawl and gear.

Frame - Item 1 (Main Casting)
Table Plate - Item 4

Pawl - Item 14
Gear - Item 30 (spindle)
Handle - Item 23 (Spindle)

Handle - Item 23
Pawl - Item 14
Gear - Item 30 (Spindle)

Ram - Item 15
Table Plate - Item 4
Pawl - Item 14
Gear - Item 30 (Spindle)
Hand wheel - Item 32



Safety

This is the safety alert symbol. When you see this symbol on your press, be alert to the potential for personal injury.