



Model 3

Compound Leverage Arbor Press

Instruction and Parts list

MODEL 3

<u>Item</u>	<u>Part Name</u>	<u>Part No.</u>
1	Frame	235
2	Ram Cap	261
3	Table Plate (263)	701227
4	Compound	272
5	Leverweight	273
6	Pawl	274
7	Ram (2" x 2" x 24")	275
8	Hand Brake	277
9	Hand Brake Clamp	278
10	Compound Rest Pin	280
11	Handle	283
12	Pawl Pin	284
13	Leverweight Pin	285
14	Long Sliding Pin (1" x 10-1/2")	286
15	Short Sliding Pin (1" x 6-1/4")	288
16	Hand Brake Stud (1/2" x 4")	289
17	Spindle	290
18	Handwheel	294

Please contact factory for current prices.

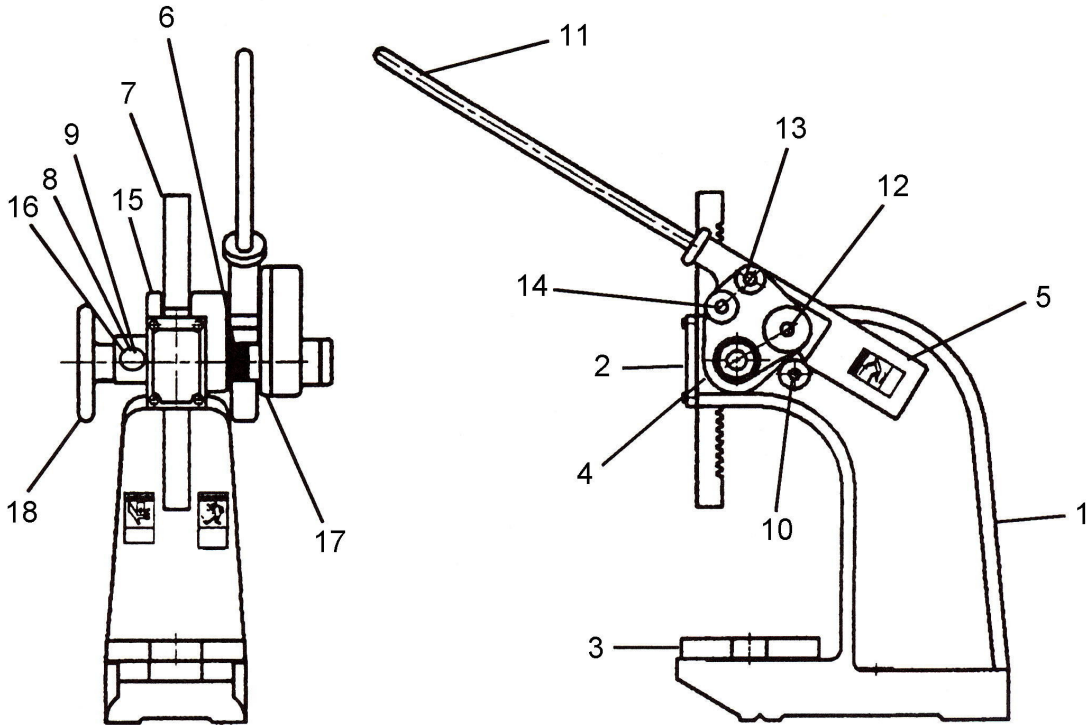
Ordering information: Please order all repair parts by part number and name, also mention model number of press. All parts are shipped F.O.B. Factory in Grand Haven, MI.

Lubrication: Keep all working parts of the press well oiled for easier operation. Also keep a light film of oil over the entire surface of the ram to prevent rust.

DAKE

Division of JSJ Corp.
724 Robbins Road
Grand Haven, MI 49417

Phone: 616-842-7110 800-937-3253
Fax: 616-842-0859 800-846-3253
E-Mail: customerservice@dakecorp.com
technicalservice@dakecorp.com
Website: www.dakecorp.com



SAFETY

This is the safety alert symbol. When you see this symbol on your press, be alert to the potential for personal injury.

Follow recommended precautions and safe operating practices.

Carefully read all safety messages in these instructions and on your press safety signs. Keep safety labels in good condition. Replace missing or damaged safety labels.


This machine is intended to be operated by one person. This person should be conscious of the press ram movement not only for themselves but also for persons in the immediate area of the machine.

Under no circumstances increase the leverage ratio of the press by using a longer handle or by placing a pipe over the handle. Never hammer on top of the ram.

NOTE: Please refer to parts drawing for identification of components outlined on this safety warning sticker.

Model: 3

WARNING



Beware of pinch points, handle to frame and ram to table or work.

Beware handle can free fall if pawl and gear are not engaged.

Never pull handle beyond horizontal plane allowing disengagement of pawl and gear.

Always bring ram to work or table with handwheel while holding pressing handle up ensuring engagement of pawl and gear.

Frame - Item 1 (Main Casting)
Table Plate - Item 3

Pawl - Item 6
Gear - Item 17 (Spindle)
Handle - Item 11 (Spindle)

Handle - Item 11
Pawl - Item 6
Gear - Item 17 (Spindle)

Ram - Item 7
Table Plate - Item 3
Pawl - Item 6
Gear - Item 17 (Spindle)
Hand wheel - Item 18



Safety

This is the safety alert symbol. When you see this symbol on your press, be alert to the potential for personal injury.