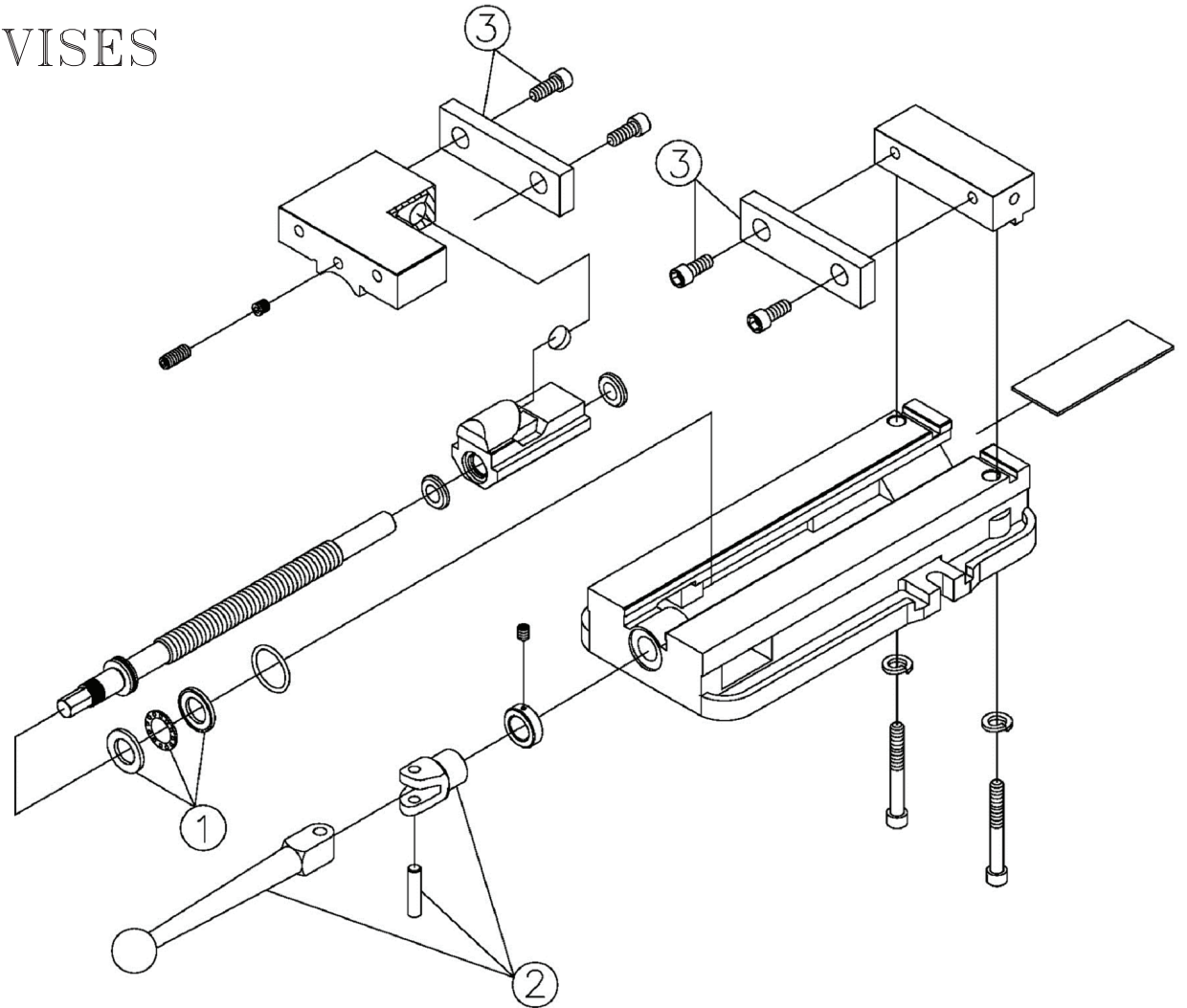


VERTI-LOCK MACHINE VISES

With Swivel Bases

Replacement Parts



WILTON MODEL NUMBER	BASIC VISE SIZE JAW WIDTH	BASIC VISE SIZE JAW HEIGHT	MAXIMUM VISE JAW OPENING	ITEM #1 THRUST BEARING	ITEM #2 HANDLE ASSEMBLY	ITEM #3 JAW INSERTS WITH SCREWS	ITEM #4 OPTIONAL SWIVEL BASE WITH HARDWARE (NOT SHOWN)	ITEM #5 (NOT SHOWN) WORK STOPS
1250N	5"	1-1/2"	5"	1500331	1500231	2908010	12285	25125
1275N	6"	1-3/4"	7-1/2"	1500341	1500241	2908020	12290	25126
1280N	8"	2-1/4"	10-1/2"	1500351	1500251	2908030	12295	25128