



Assembly Instructions and Parts List

Stand for JWL-1015/1015VS Lathes

Stock No. 719102A

WARNING Read and understand the entire owner's manual that accompanied your JWL-1015 lathe before attempting assembly or operation of accessories.

Inspect contents for shipping damage. Report any damage or part shortages to your distributor. Do not discard shipping materials until accessory is set up and functioning properly.

Shipping contents

- 1 Cross bar
- 2 Legs
- 2 Brackets
- 4 Tube caps
- 4 Levelers with hex nut
- 1 Hardware package, includes:
 - 4 Socket head cap screws, 5/16x3/4
 - 4 Lock washers, 5/16
 - 4 Flat washers, 5/16
 - 8 Socket head cap screws, M8x80
 - 12 Flat washers, 8mm
 - 4 Hex nuts, M8

Tools required for assembly

6mm hex key ("Allen wrench")
Open-end wrenches, 13mm (1/2"); 14mm (9/16")

Assembly

Refer to exploded view on reverse side for parts clarification. Bracketed numbers refer to index numbers in exploded view.

1. Install two levelers [5] into bottom of each leg. Levelers can be adjusted for height and leveling of lathe. Tighten hex nut against leg to secure setting.
2. Install cross bar [4] at bottom of legs with screws and washers [7/8]. Make screws snug but do not fully tighten yet.

3. Mount a bracket [1] to each leg with screws, washers, and nuts [7/8/9]. Gussets on brackets should face toward each other. Multiple holes allow adjustment of lathe height. Make nuts snug but *do not fully tighten yet*.
4. Place lathe onto stand brackets, and secure with screws and washers [10/11/12]. Insert all four screws first, then tighten each securely.
5. Fully tighten all screws and nuts in cross bar [4] and brackets [1].



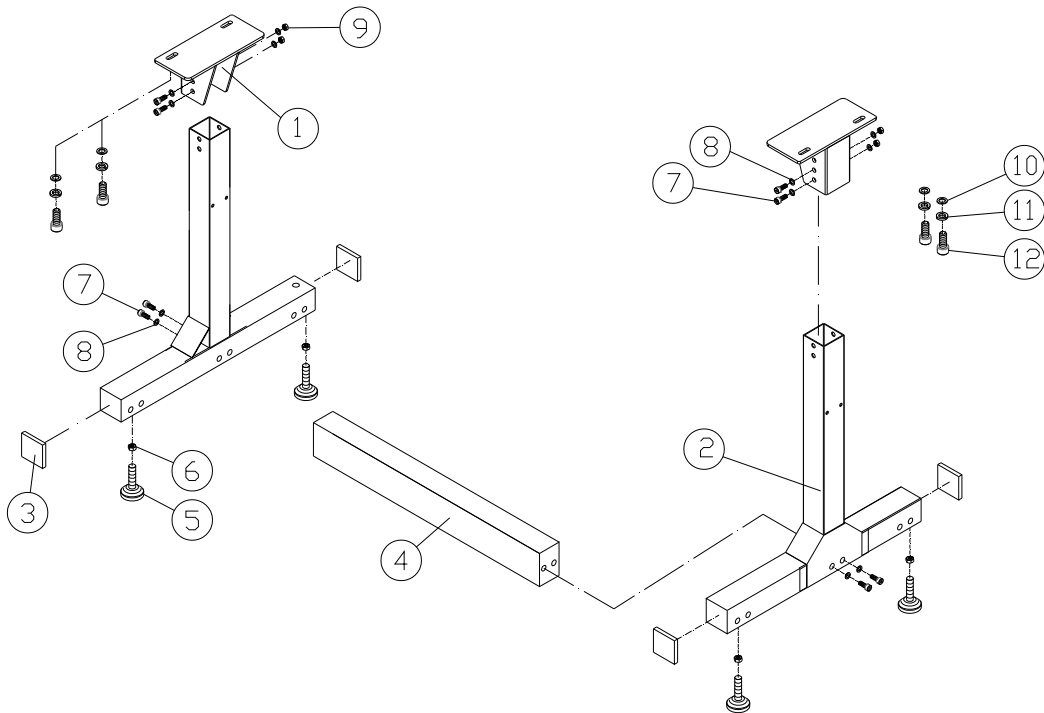
Specifications

| | |
|--|---|
| Stock no. | 719102A |
| Assembled dimensions (WxDxH, approx.): | 26-3/4 x 23 x 31-1/2 in. (680 x 584 x 800 mm) |
| Shipping dimensions (WxDxH, approx.): | 31.9 x 28 x 8.7 in. (810 x 710 x 220 mm) |
| Net weight (approx.): | 17 kg (37.5 lbs) |
| Shipping weight (approx.): | 20.5 kg (45.1 lbs) |

JET
427 New Sanford Road
LaVergne, Tennessee 37086
Ph.: 800-274-6848
www.jettools.com

Manual No. M-719102A
Edition 2 11/2018
Copyright © 2017 JET, a Division of JPW Industries, Inc.

719102A Stand for JWL-1015/1015VS Lathes



| Index No | Part No | Description | Size | Qty |
|----------|----------------|--|-----------------|-----|
| 1 | JWL1221VSS-101 | Bracket | | 2 |
| 2 | JWL1221VSS-102 | Leg | | 2 |
| 3 | JWL1221VSS-103 | Tube Cap | | 4 |
| 4 | JWL1015S-104 | Cross Bar | | 1 |
| 5 | JWL1642-206 | Leveler | 3/8" | 4 |
| 6 | TS-0561031 | Hex Nut | 3/8"-16 | 4 |
| 7 | F005415 | Hex Socket Hd Cap Screw * | M8-1.25 x 80 | 8 |
| 8 | TS-1550061 | Flat Washer * | M8 | 12 |
| 9 | TS-1540061 | Hex Nut * | M8 | 4 |
| 10 | TS-0680031 | Flat Washer * | 5/16" | 4 |
| 11 | TS-0720081 | Lock Washer * | 5/16" | 4 |
| 12 | TS-0208041 | Socket Head Cap Screw * | 5/16"-18 x 3/4" | 4 |
| | LM000287 | ID Label, JWL-1015 Stand (not shown) | | 1 |
| | JWL1015S-HP | Hardware Package (includes items with *) | | |

To order parts or reach our service department, call 1-800-274-6848 Monday through Friday, 8:00 a.m. to 5:00 p.m. CST. Having the Model Number and Serial Number of your machine available when you call will allow us to serve you quickly and accurately. Non-proprietary parts, such as fasteners, can be found at local hardware stores, or may be ordered from JET.

⚠ WARNING: This product can expose you to chemicals including lead and cadmium which are known to the State of California to cause cancer and birth defects or other reproductive harm, and phthalates which are known to the State of California to cause birth defects or other reproductive harm. For more information go to <http://www.p65warnings.ca.gov>.

⚠ WARNING: Drilling, sawing, sanding or machining wood products generates wood dust and other substances known to the State of California to cause cancer. Avoid inhaling dust generated from wood products or use a dust mask or other safeguards for personal protection.

Wood products emit chemicals known to the State of California to cause birth defects or other reproductive harm. For more information go to <http://www.p65warnings.ca.gov/wood>.