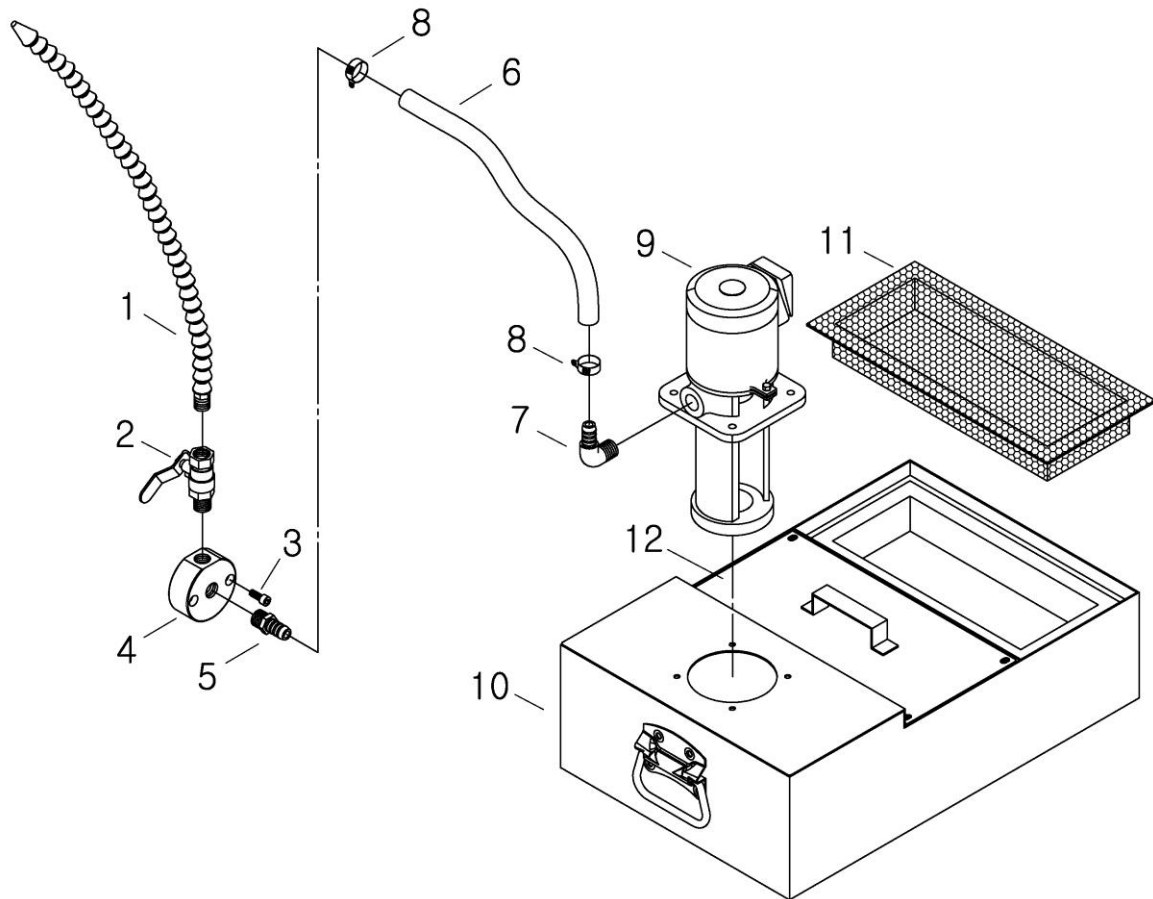


External Coolant Pump Assembly

Model No. : ECPA-10	PUMP SPEC:
Stock No. : 660125	1/8HP,60HZ,230V only, 1Ph



Parts List for External Coolant Pump Assembly

Index No.	Part No.	Description	Size	Q'ty
1	JTM949EVS-G01	Plastic Nozzle		1
2	JTM949EVS-G02	Valve	PT 3/8" x 1/2"	1
3	TS-1503091	Hex Socket Cap Screw	M6 x 40	2
4	JTM949EVS-G04	Block		1
5	JTM949EVS-G05	Hose Fitting	PT 3/8" x 1/2"	1
6	JTM949EVS-G06	Hose	1/2"	1
7	JTM949EVS-G07	Hose Fitting	PT 3/8" x 1/2" (90°)	1
8	JTM949EVS-G08	Hose Clamp	5/6" (11 ~ 20)	2
9	JTM949EVS-G09	Coolant Pump	1/8HP/230V/1ph	1
10	JTM949EVS-G10	External Coolant Tank		1
11	JTM949EVS-G11	Strainer		1
12	JTM949EVS-G12	Cover with Handle		1

Instruction operation

1. The coolant pump is prewired 230V 1PH with cable in package.



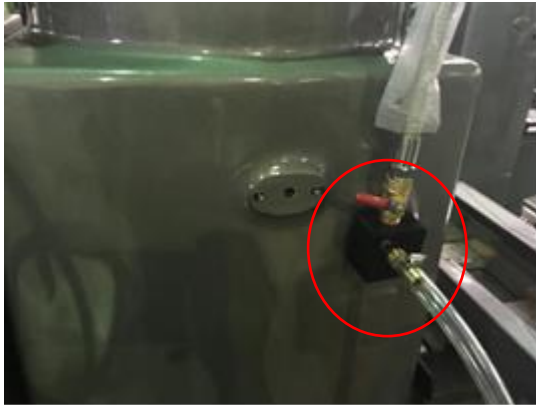
2. Take off the mid-cover from the coolant pump tank. The tank has pump and spray hose.



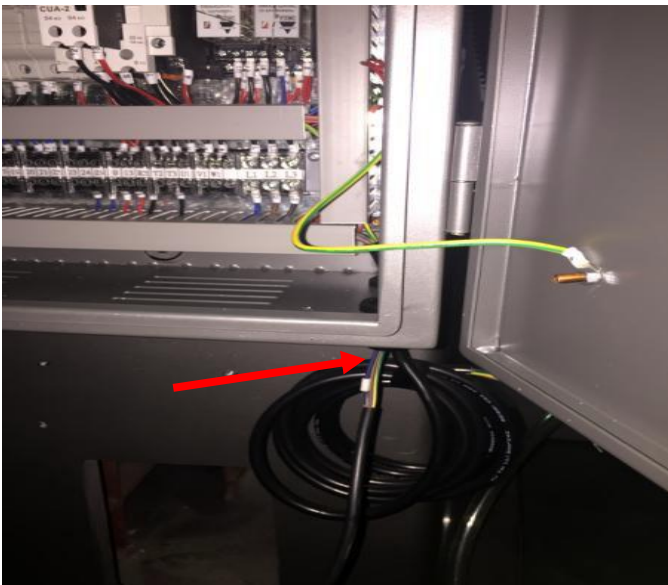
3. Install the coolant pump onto the top of tank, then put the mid-cover back to the original position.



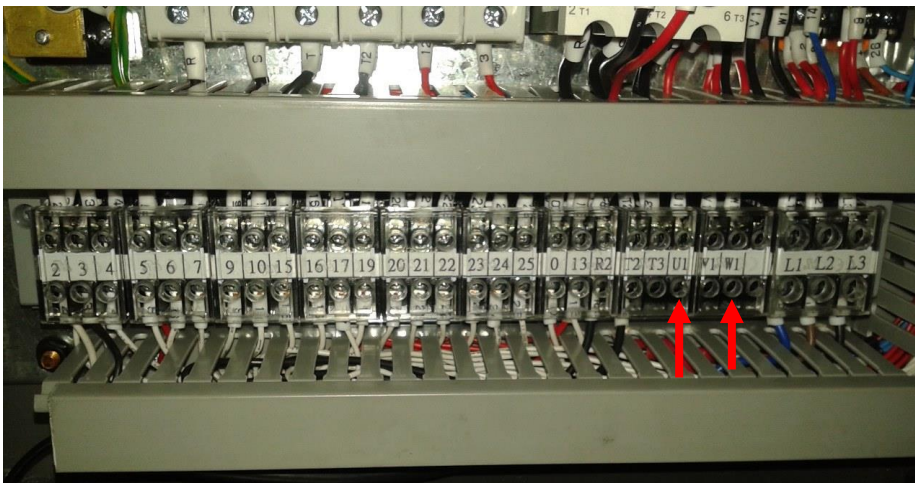
4. Assemble the tube with the block and use M6 screw to secure it on the right side of column.



5. Open the door from the electrical cabinet which is located on the back of column, then insert the pump cable from the bottom of the cabinet into terminal plate.



6. Connect the pump wires to U1 & W1 in terminal plate. If the pump does not run, change the U1 to V1 position which is power source wire.



7. Finish all assembly for the coolant pump system.

