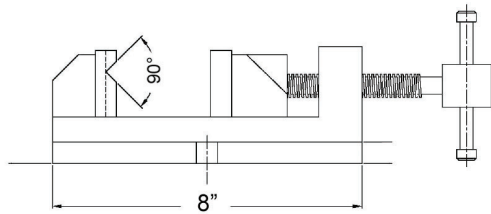
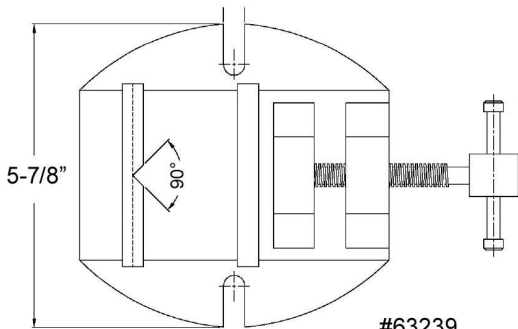
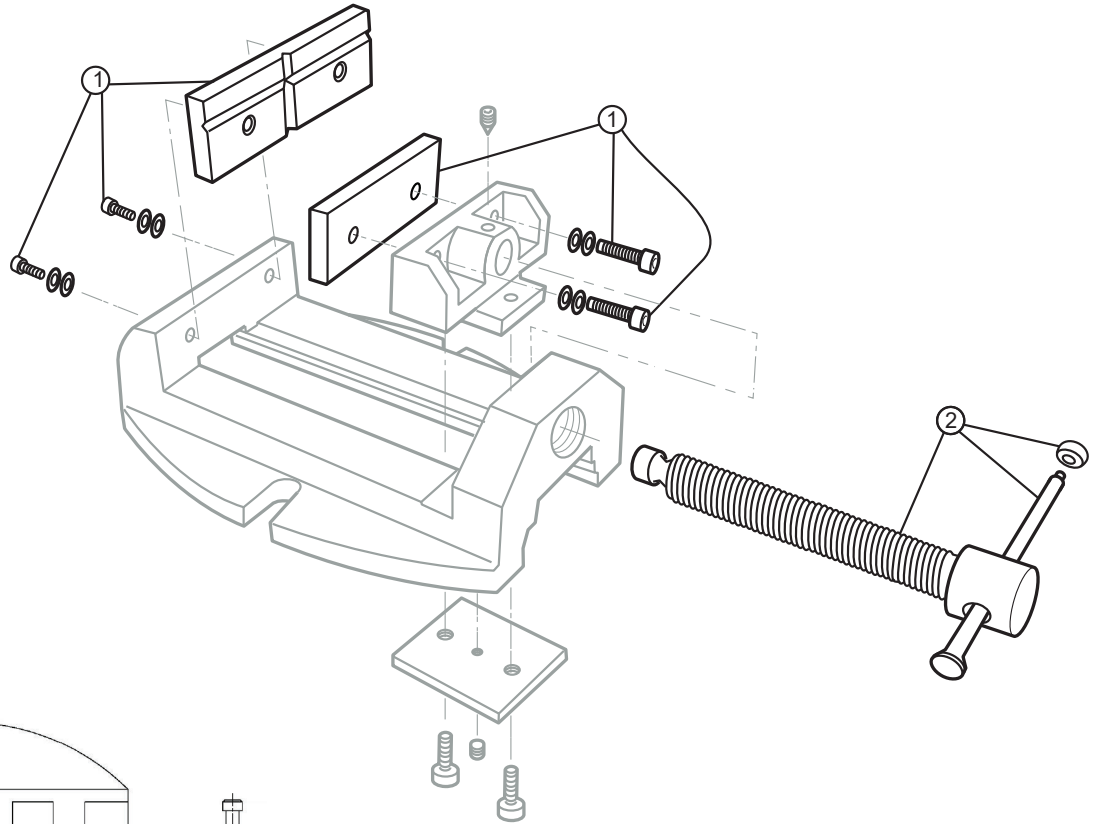




### Versatile Drill Press - Continuous Nut Parts Diagram

4" Jaw Width; 4" Jaw Opening; 1-1/2" Jaw Depth

Stock #: 63239 Model #: 1345



#	Part	Description
1	63239-01	Set of Jaw Inserts, with screws and washers
2	63239-02	Clamp Screw



**WARNING:** This product can expose you to chemicals including lead which is known to the State of California to cause cancer and birth defects or other reproductive harm. For more information go to <http://www.p65warnings.ca.gov>.

#### WILTON

427 New Sanford Road  
 LaVergne, Tennessee 37086  
 Ph.: 800-274-6848  
 www.wiltontools.com

**Part No. M-63239**

Revision E 11/2019

Copyright © 2014 WILTON, a Division of JPW Industries, Inc.