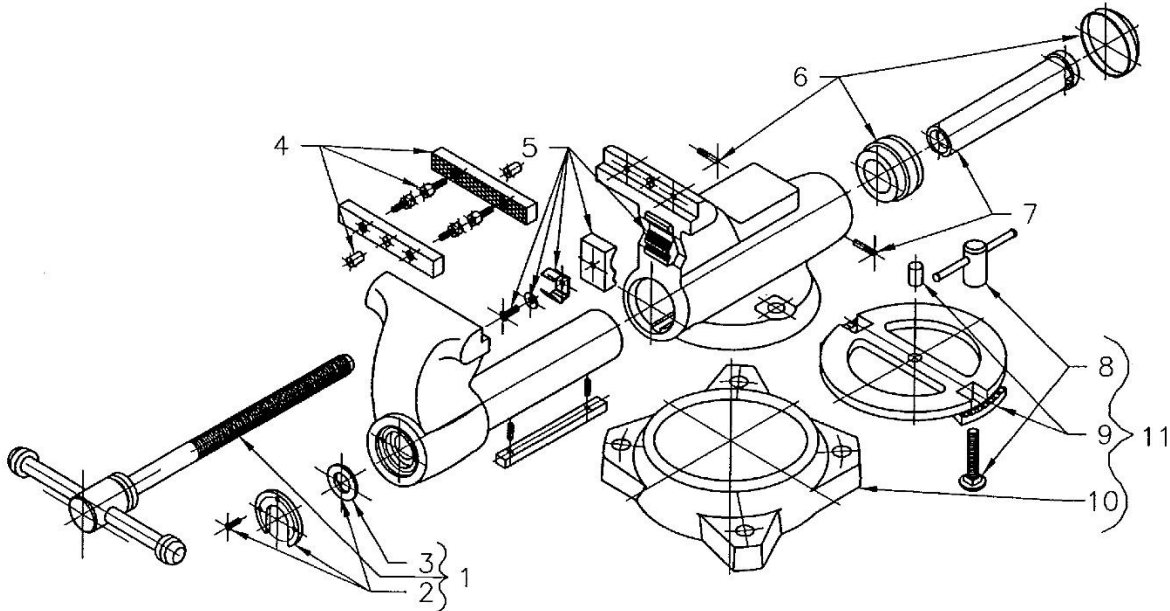




## #28828, 6" Combo Pipe and Bench Vise, Swivel Base (model C-3)



### Replacement parts

Item	Part No.	Description
1	2900180	Spindle Assembly Complete
2	2904500	Spindle Retainer (with 3 screws and #3)
3	---	Thrust Washer (not available separately)
4	2907370	Serrated Jaw Inserts with 4 screws
5	2907600	Pipe Jaw Insert Assemblies (pair)
6	2901130	End Piece Assembly Complete, with 2 pins
7	2901150	Casing Nut with 2 pins
8	2907410	Lock Nut Assemblies
9	1011070	Inner Ring with Dowel Pin
10	1011080	Outer Ring only
11	2907360	Swivel Base Assembly Complete* (includes #8,9,10)

### Specifications

Stock no.	<b>28828</b>
Model no.	C-3
Jaw width	6 in. (153 mm)
Maximum opening	9 in. (229 mm)
Throat depth	6-5/8 in. (168 mm)
Pipe jaw capacity	1/4 to 6 in. (6.4 to 153 mm)
Net weight	204 lbs. (92.5 kg)

To order parts or reach our service department, call 1-800-274-6848 Monday through Friday, 8:00 a.m. to 5:00 p.m. CST. Having the Model Number and Serial Number of your tool available when you call will allow us to serve you quickly and accurately. Some parts are shown for reference only, and may not be available individually.

\*To mount the vise directly to the work surface, the Swivel Base Assembly can be removed. Turn both Lock Nuts counterclockwise to free the Lock Nuts, Lock Nut Bolts, Inner Ring, and Outer Ring from the rest of the vise. Use appropriate fasteners to mount the vise to the work surface via the two holes in the bottom of the main vise body.

**Note: See reverse side or second sheet for important safety instructions.**

### WILTON

427 New Sanford Road  
 LaVergne, Tennessee 37086  
 Ph.: 800-274-6848  
 www.wiltontools.com

**M-28828**

Edition 1 09/2018

Copyright © 2018 WILTON, a Division of JPW Industries, Inc.



## IMPORTANT SAFETY INSTRUCTIONS

- Misuse of vise can cause serious injury to eyes, hands, limbs, etc.
- To ensure safety, vise must be set up and used properly.
- Before setting up and using, read, understand, and follow all instructions as outlined below.

When setting up vise:

- Use proper size bolts, nuts, lock and flat washers, in all base mounting Holes. Never weld base of vise to any metal object.
- Only hand-tighten swivel base lock down nuts at the sides of the vise.
- Never use a pipe extension to tighten lock nut handles; this can cause the handles to bend and overstress the lock down bolts.
- Make sure the bench top to which the vise is mounted is properly secured.

When using vise:

- Always use vise of proper size and capacity to hold work object.
- Never use a hammer, pipe extension or cheater bar on spindle handle of vise.
- Never unscrew moveable jaw beyond the maximum specified opening of the vise.
- Never use vise as a press for assembly or disassembly of objects.
- Always wear eye and face protection when striking vise-held objects or when using power tools with a vise.
- NOTE: The spindle handle ("tommy bar") has been engineered to bend if excessive clamping pressure is applied, to prevent potential damage to vise.

**WARNING:** This product can expose you to chemicals including titanium dioxide which is known to the State of California to cause cancer. For more information go to <http://www.p65warnings.ca.gov>.



## CONSIGNES DE SECURITE IMPORTANTES

- Une utilisation incorrecte, de l'étau peut entraîner des blessures graves aux yeux aux mains et à d'autres parties du corps.
- Pour garantir la sécurité, l'étau doit être installé et utilisé correctement.
- Avant installation et utilisation, lisez, veillez à bien comprendre et suivre toutes les instructions telles qu'elles sont données de chaque côté de cette étiquette.

Installation de l'étau:

- Pour bloquer la base de l'étau, utiliser des écrous, boulons et rondelles de la bonne taille dans tous les trous de fixation. ne jamais souder la base de l'étau à un objet métallique quelconque.
- Pour un étau à base tournante, ne serrer qu'avec les doigts les poignées des contre-écrous sur les côtés de l'étau.
- Ne jamais utiliser une rallonge pour serrer les poignées des contre-écrous-cela pourrait tordre les poignées.
- Assurez-vous que l'étau sur lequel est monté l'étau est correctement fixé.

Utilisation de l'étau:

- Toujours utiliser un étau de taille et de capacité appropriées pour tenir l'objet de travail.

- Ne jamais utiliser un marteau, une rallonge ni tout autre outil permettant de faire levier sur la poignée de l'étau.
- Ne jamais dévisser le mors au-delà de l'ouverture maximum spécifiée de l'étau.
- Le jamais utiliser l'étau pour enfoncer un objet dans un autre ou l'en faire sortir.
- Toujours porter des lunettes et un masque de protection pour frapper sur un objet ou utiliser un outillage électrique avec un étau.
- REMARQUE: La poignée de la broche («barre de serrage») a été conçue pour se plier si une pression de serrage excessive est appliquée, afin d'éviter tout dommage potentiel à l'étau.



**AVERTISSEMENT:** Ce produit peut vous exposer à des produits chimiques, y compris le dioxyde de titane qui est connu par l'État de Californie pour causer le cancer. Pour plus d'informations, visitez <http://www.p65warnings.ca.gov>.



## INSTRUCCIONES DE SEGURIDAD IMPORTANTES

- El uso indebido del tornillo de banco puede causar lesiones graves en los ojos, en las manos y en otras partes del cuerpo.
- Para asegurar la seguridad, el tornillo de banco debe configurarse y utilizarse de forma debida.
- Antes de configurar y usar-lea, entienda y siga todas las instrucciones indicadas en ambos lados de la etiqueta.

Al configurar el tornillo de banco:

- Para sujetar la base del tornillo de banco, use tuercas, pernos y arandelas de presión del tamaño adecuado en todos los agujeros de montaje. No suelde nunca la base del tornillo de banco a ningún objeto de metal.
- Para el tornillo de banco de base giratoria, apriete solamente a mano las palancas de las contratueras en los lados del tornillo de banco.
- No use nunca un tubo de extensión para apretar las palancas en las contratueras esto puede hacer que doblen las palancas.
- Asegúrese de que la parte superior del banco donde está montado el tornillo de banco esté bien asegurada.

Al usar el tornillo de banco:

- Use siempre un tornillo de banco del tamaño y de la capacidad adecuados para sujetar el objeto de trabajo.
- No use nunca un martillo, un tubo de extensión o un alargador en la palanca del uso del tornillo de banco.
- No desatornille nunca la mordaza móvil más allá de la abertura especificada máxima del tornillo de banco.
- No use nunca el tornillo de banco para encajar un objeto en otro objeto o desprenderlo de otro objeto.
- Lleve siempre protectores de los ojos y la cara al golpear o usar herramientas as con un tornillo de banco.
- NOTA: El mango husillo ("bar Tommy") ha sido diseñado para doblarse si se aplica una presión de apriete excesivo, para evitar el daño potencial a tornillo de banco.



**ADVERTENCIA:** Este producto puede exponerlo a productos químicos, incluido de dióxido de titanio, que en el estado de California se conoce como causantes de cáncer. Para obtener más información, vaya a <http://www.p65warnings.ca.gov>.



The Wilton® lifetime warranty is for the product's lifetime with no end date. This warranty covers manufacturer's defect only and does not cover failures due directly or indirectly to misuse, abuse, negligence or accidents, normal wear-and-tear, improper repair, alterations or lack of maintenance. For more information, please visit [wiltontools.com](http://wiltontools.com).

### How to Get Technical Support

Please contact Technical Service by calling 1-800-274-6846. **Please note that you will be asked to provide proof of initial purchase when calling.** If a product requires further inspection, the Technical Service representative will explain and assist with any additional action needed. Wilton has Authorized Service Centers located throughout the United States. For the name of an Authorized Service Center in your area call 1-800-274-6846 or use the Service Center Locator on the Wilton website.

Wilton sells through distributors only. The specifications listed in Wilton printed materials and on official Wilton branded website are given as general information and are not binding. Wilton reserves the right to effect at any time, without prior notice, those alterations to parts, fittings, and accessory equipment which they may deem necessary for any reason whatsoever.

NOTE: Wilton is a division of JPW Industries, Inc. References in this document to Wilton also apply to JPW Industries, Inc., or any of its successors in interest to the Wilton brand.



## #28828 Model C-3 Combo Pipe & Bench Vise Mounting Template

Drill four (4) 1 1/16" diameter holes. Mount vise with four (4) 5/8" diameter cap bolts, 2 inches longer than benchtop thickness. Use minimum Grade 5 bolts. Secure with flat washers and nuts.

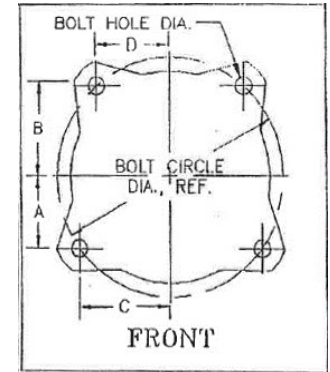
**⚠ WARNING: Mounting Template for Reference Only**  
For exact mounting dimensions, please refer to the **Bullet Bench Vise Mounting Dimensions** document included with the product and found online at [wiltontools.com](http://wiltontools.com).

**This side (wider stance) toward edge of workbench.**  
Tape paper in place and transfer bolt hole centers to benchtop with a center punch. *Make sure underside of bolt hole locations is clear of legs, brackets, drawers, etc.*





## Bullet Bench Vise Mounting Dimensions



	Stock No.	Model	Base Outer Ring Part No.	Dimension A (in.)	Dimension B (in.)	Dimension C (in.)	Dimension D (in.)	Bolt Circle Diameter (in.)	Bolt Hole Diameter (in.)	Mounting Bolt Diameter (in.)
Combo Pipe & Bench	28825	C0	1011990	2 3/16"	2 7/8"	3 1/16"	2 7/16"	7 1/2"	9/16"	1/2"
	28826	C1	1011980	2 9/16"	3 5/16"	3 9/16"	2 13/16"	8 3/4"	11/16"	5/8"
	28827	C2	1010840	2 13/16"	3 3/4"	4 "	3 1/8"	9 3/4"	11/16"	5/8"
	28828	C3	1011080	3 1/2"	4 3/8"	4 1/2"	3 5/8"	11 3/8"	11/16"	5/8"
Machinist	28830	300S	1012010	1 7/8"	2 7/16"	2 9/16"	2 1/16"	6 3/8"	7/16"	3/8"
	28831	400S	1011980	2 9/16"	3 5/16"	3 9/16"	2 13/16"	8 3/4"	11/16"	5/8"
	28832	500S	1011980	2 9/16"	3 5/16"	3 9/16"	2 13/16"	8 3/4"	11/16"	5/8"
	28833	600S	1010840	2 13/16"	3 3/4"	4 "	3 1/8"	9 3/4"	11/16"	5/8"
	28834	800S	1011080	3 1/2"	4 3/8"	4 1/2"	3 5/8"	11 3/8"	11/16"	5/8"
Tradesman XC	28840	1745XC	1011990XC	2 3/16"	2 7/8"	3 1/16"	2 7/16"	7 1/2"	9/16"	1/2"
	28841	1755XC	1011980XC	2 9/16"	3 5/16"	3 9/16"	2 13/16"	8 3/4"	11/16"	5/8"
	28842	1765XC	1011980XC	2 9/16"	3 5/16"	3 9/16"	2 13/16"	8 3/4"	11/16"	5/8"
	28843	1780XC	1010840XC	2 13/16"	3 3/4"	4 "	3 1/8"	9 3/4"	11/16"	5/8"
Tradesman	28805	1745	1011990	2 3/16"	2 7/8"	3 1/16"	2 7/16"	7 1/2"	9/16"	1/2"
	28806	1755	1011980	2 9/16"	3 5/16"	3 9/16"	2 13/16"	8 3/4"	11/16"	5/8"
	28807	1765	1011980	2 9/16"	3 5/16"	3 9/16"	2 13/16"	8 3/4"	11/16"	5/8"
	28808	1780A	1010840	2 13/16"	3 3/4"	4 "	3 1/8"	9 3/4"	11/16"	5/8"