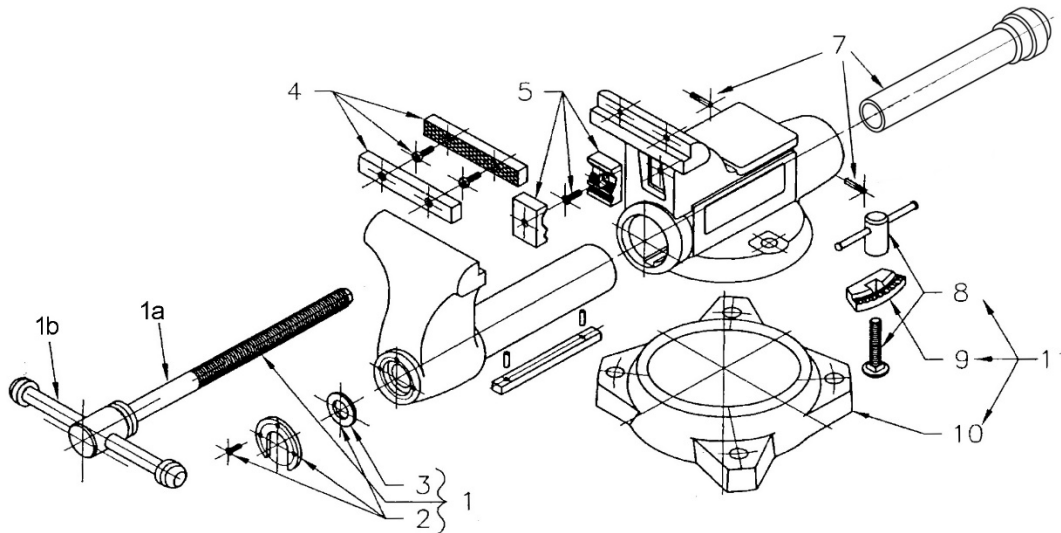




Stock no. 28840, Tradesman Vise Model 1745XC
 Stock no. 28841, Tradesman Vise Model 1755XC
 Stock no. 28842, Tradesman Vise Model 1765XC



Replacement parts

		Stock no.	28840	28841	28842
		Model no.	1745XC	1755XC	1765XC
ITEM	DESCRIPTION	QTY.	PART NO.		
	Stationary Jaw casting # reference		111803XC	111813XC	111823XC
1	Spindle Assembly (includes #1a,1b,2,3)	1	2900000XC	2900150XC	2900330XC
1a	Spindle	1	2900001XC	2900151XC	2900331XC
1b	Tommy Bar, with rubber rings	1	2900002XC	2900152XC	2900332XC
2	Spindle Retainer with 3 screws and #3	1	2904000	2904000	2904010
3	Thrust Washer	1	Not available separately		
4	Set of Jaw Inserts with 4 screws	1 set	2908060XC	2908070XC	2908080XC
5	Set of Pipe Jaw Inserts with 2 screws	1 set	2904200XC	2904200XC	2904200XC
7	Casing Nut with 2 pins	1	2900220AXC	2900240AXC	2900340AXC
8	Lock Nut and Bolt Assemblies (set of 2)	1 set	2905190	2905200	2905200
9	Locking Pads (set of 2)	1 set	9040010	9040020	9040020
10	Outer Ring only	1	1011990XC	1011980XC	1011980XC
11	Swivel Base Assembly (includes #8,9,10)	1	2900230XC	2905790XC	2905790XC

To order parts or reach our service department, call 1-800-274-6848 Monday through Friday, 8:00 a.m. to 5:00 p.m. CST. Having the Model Number and Serial Number of your tool available when you call will allow us to serve you quickly and accurately. Some parts are shown for reference only, and may not be available individually.

Specifications

Stock no.	28840	28841	28842
Model no.	1745XC	1755XC	1765XC
Jaw width	4-1/2 in. (114 mm)	5-1/2 in. (140 mm)	6-1/2 in. (165 mm)
Open capacity, maximum ¹	3-1/2 in. (90.5 mm)	5 in. (127.5 mm)	6 in. (151.5 mm)
Throat depth	3-1/4 in. (82.6 mm)	3-3/4 in. (95.3 mm)	4 in. (101.6 mm)
Pipe jaw capacity	1/4 – 2-1/2 in. (6.4 – 63.5 mm)	1/4 – 3 in. (6.4 – 76.2 mm)	1/4 – 3-1/2 in. (6.4 – 89 mm)
Shipping weight	42 lbs. (19 kg)	51.5 lbs. (23 kg)	71 lbs. (32 kg)

¹ based on lead screw engagement with half of nut thread length

Note: See reverse side for important safety instructions.

WILTON

427 New Sanford Road
 LaVergne, Tennessee 37086
 Ph.: 800-274-6848
 www.wiltontools.com

Part No. M-28840
 Edition 2 09/2019
 Copyright © 2019 WILTON, a Division of JPW Industries, Inc.



IMPORTANT SAFETY INSTRUCTIONS

- Misuse of vise can cause serious injury to eyes, hands, limbs, etc.
- To ensure safety, vise must be set up and used properly.
- Before setting up and using, read, understand, and follow all instructions as outlined below.

When setting up vise:

- Use proper size bolts, nuts, lock and flat washers, in all base mounting Holes. Never weld base of vise to any metal object.
- Only hand-tighten swivel base lock down nuts at the sides of the vise.
- Never use a pipe extension to tighten lock nut handles; this can cause the handles to bend and overstress the lock down bolts.
- Make sure the bench top to which the vise is mounted is properly secured.

When using vise:

- Always use vise of proper size and capacity to hold work object.
- Never use a hammer, pipe extension or cheater bar on spindle handle of vise.
- Never unscrew moveable jaw beyond the maximum specified opening of the vise.
- Never use vise as a press for assembly or disassembly of objects.
- Always wear eye and face protection when striking vise-held objects or when using power tools with a vise.
- NOTE: The spindle handle ("tommy bar") has been engineered to bend if excessive clamping pressure is applied, to prevent potential damage to vise.

⚠ WARNING: This product can expose you to chemicals including lead which is known to the State of California to cause cancer and birth defects or other reproductive harm. For more information go to <http://www.p65warnings.ca.gov>.



CONSIGNES DE SECURITE IMPORTANTES

- Une utilisation incorrecte, de l'étau peut entraîner des blessures graves aux yeux aux mains et à d'autres parties du corps.
- Pour garantir la sécurité, l'étau doit être installé et utilisé correctement.
- Avant installation et utilisation, veillez à bien comprendre et suivre toutes les instructions telles qu'elles sont données de chaque côté de cette étiquette.

Installation de l'étau:

- Pour bloquer la base de l'étau, Utilisez des écrous, boulons et rondelles de la bonne taille dans tous les trous de fixation. ne jamais souder la base de l'étau à Un objet métallique quelconque.
- Pour un étau à base tournante, ne serrer qu'avec les doigts les poignées des contre-écrous sur les cotés de l'étau.
- Ne jamais utiliser une rallonge pour serrer les poignées des contre-écrous-cela pourrait tordre les poignées.
- Assurez-vous que l'établi sur lequel est monté l'étau est correctement fixé.

Utilisation de l'étau:

- Toujours utiliser un étau de taille et de capacité appropriées pour tenir l'objet de travail.

- Ne jamais utiliser un marteau, une rallonge ni tout autre outil permettant de faire levier sur la poignée de l'étau.
- Ne jamais dévisser le mors au-delà de l'ouverture maximum spécifiée de l'étau.
- Le jamais utiliser l'étau pour enfoncer un objet dans un autre ou l'en faire sortir.
- Toujours porter des lunettes et un masque de protection pour frapper sur un objet ou utiliser un outillage électrique avec un étau.
- REMARQUE: La poignée de la broche («barre de serrage») a été conçue pour se plier si une pression de serrage excessive est appliquée, afin d'éviter tout dommage potentiel à l'étau.

⚠ AVERTISSEMENT: Ce produit peut vous exposer à des produits chimiques, y compris le plomb qui est connu par l'État de Californie pour causer le cancer et des malformations congénitales ou d'autres problèmes de reproduction. Pour plus d'informations, visitez <http://www.p65warnings.ca.gov>.



INSTRUCCIONES DE SEGURIDAD IMPORTANTES

- El uso indebido del tornillo de banco puede causar lesiones graves en los ojos, en las manos y en otras partes del cuerpo.
- Para asegurar la seguridad, el tornillo de banco debe configurarse y utilizarse de forma debida.
- Antes de configurar y usar-lea, entienda y siga todas las instrucciones indicadas en ambos lados de la etiqueta.

Al configurar el tornillo de banco:

- Para sujetar la base del tornillo de banco, use tuercas, pernos y arandelas de presión del tamaño adecuado en todos los agujeros de montaje. No suelde nunca la base del tornillo de banco a ningún objeto de metal.
- Para el tornillo de banco de base giratoria, apriete solamente a mano las palancas de las contratueras en los lados del tornillo de banco.
- No use nunca un tubo de extensión para apretar las palancas en las contratueras esto puede hacer que doblen las palancas.
- Asegúrese de que la parte superior del banco donde está montado el tornillo de banco esté bien asegurada.

Al usar el tornillo de banco:

- Use siempre un tornillo de banco del tamaño y de la capacidad adecuados para sujetar el objeto de trabajo.
- No use nunca un martillo, un tubo de extensión o un Álargador en la palanca del uso del tornillo de banco.
- No desatornille nunca la mordaza móvil mas alla de la abertura especificada máxima del tornillo de banco.
- No use nunca el tornillo de banco para encajar un objeto en otro objeto o desprenderlo de otro objeto.
- Lleve siempre protectores de los ojos y la cara al golpear o usar herramientas as con un tornillo de banco.
- NOTA: El mango husillo ("bar Tommy") ha sido diseñado para doblarse si se aplica una presión de apriete excesivo, para evitar el daño potencial a tornillo de banco.

⚠ ADVERTENCIA: Este producto puede exponerlo a productos químicos, incluido de plomo, que en el estado de California se conoce como causantes de cáncer y defectos de nacimiento u otros daños reproductivos. Para obtener más información, vaya a <http://www.p65warnings.ca.gov>.



The Wilton® lifetime warranty is for the product's lifetime with no end date. This warranty covers manufacturer's defect only and does not cover failures due directly or indirectly to misuse, abuse, negligence or accidents, normal wear-and-tear, improper repair, alterations or lack of maintenance. For more information, please visit wiltontools.com.

How to Get Technical Support

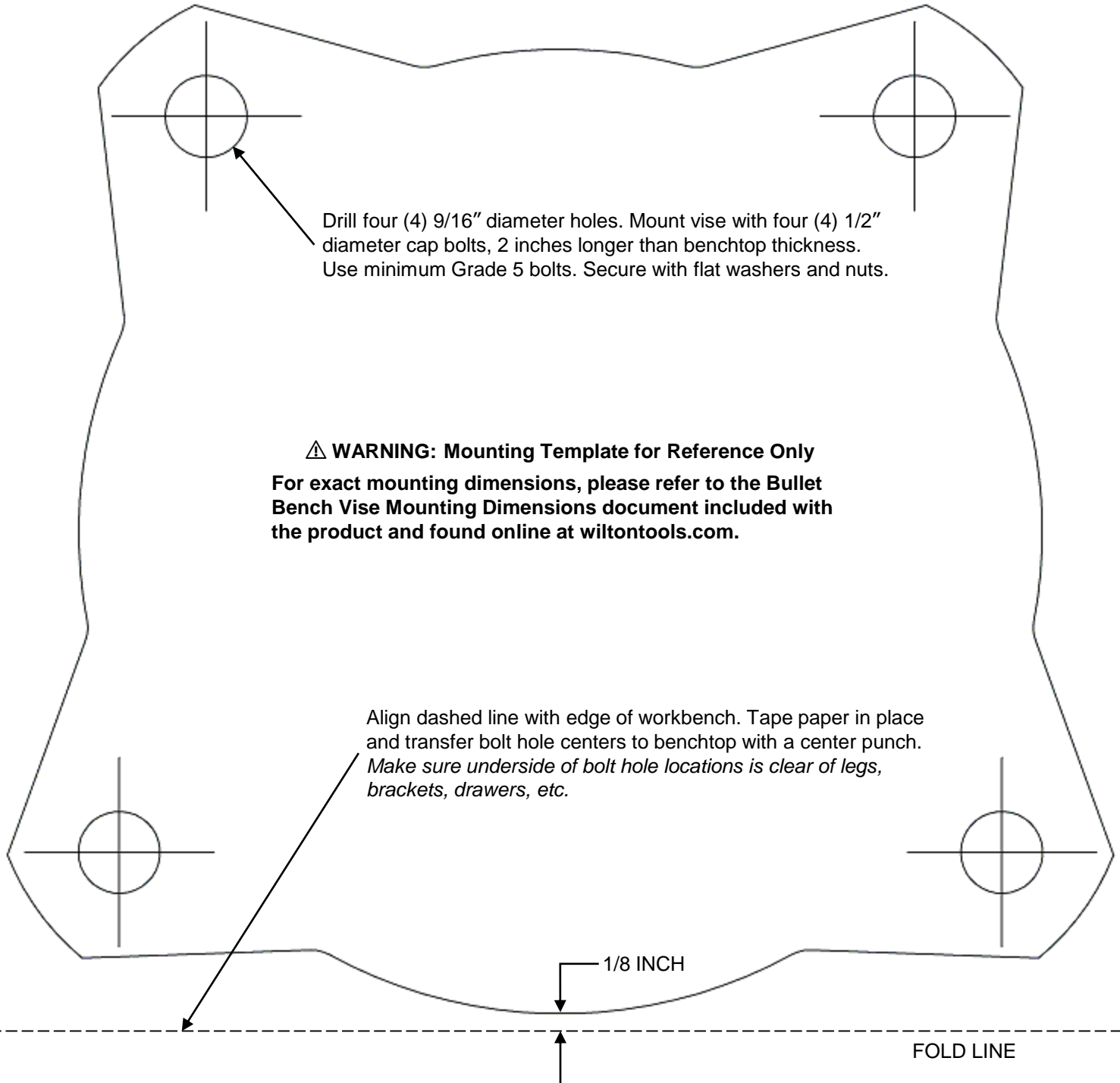
Please contact Technical Service by calling 1-800-274-6846. **Please note that you will be asked to provide proof of initial purchase when calling.** If a product requires further inspection, the Technical Service representative will explain and assist with any additional action needed. Wilton has Authorized Service Centers located throughout the United States. For the name of an Authorized Service Center in your area call 1-800-274-6846 or use the Service Center Locator on the Wilton website.

Wilton sells through distributors only. The specifications listed in Wilton printed materials and on official Wilton branded website are given as general information and are not binding. Wilton reserves the right to effect at any time, without prior notice, those alterations to parts, fittings, and accessory equipment which they may deem necessary for any reason whatsoever.

NOTE: Wilton is a division of JPW Industries, Inc. References in this document to Wilton also apply to JPW Industries, Inc., or any of its successors in interest to the Wilton brand.

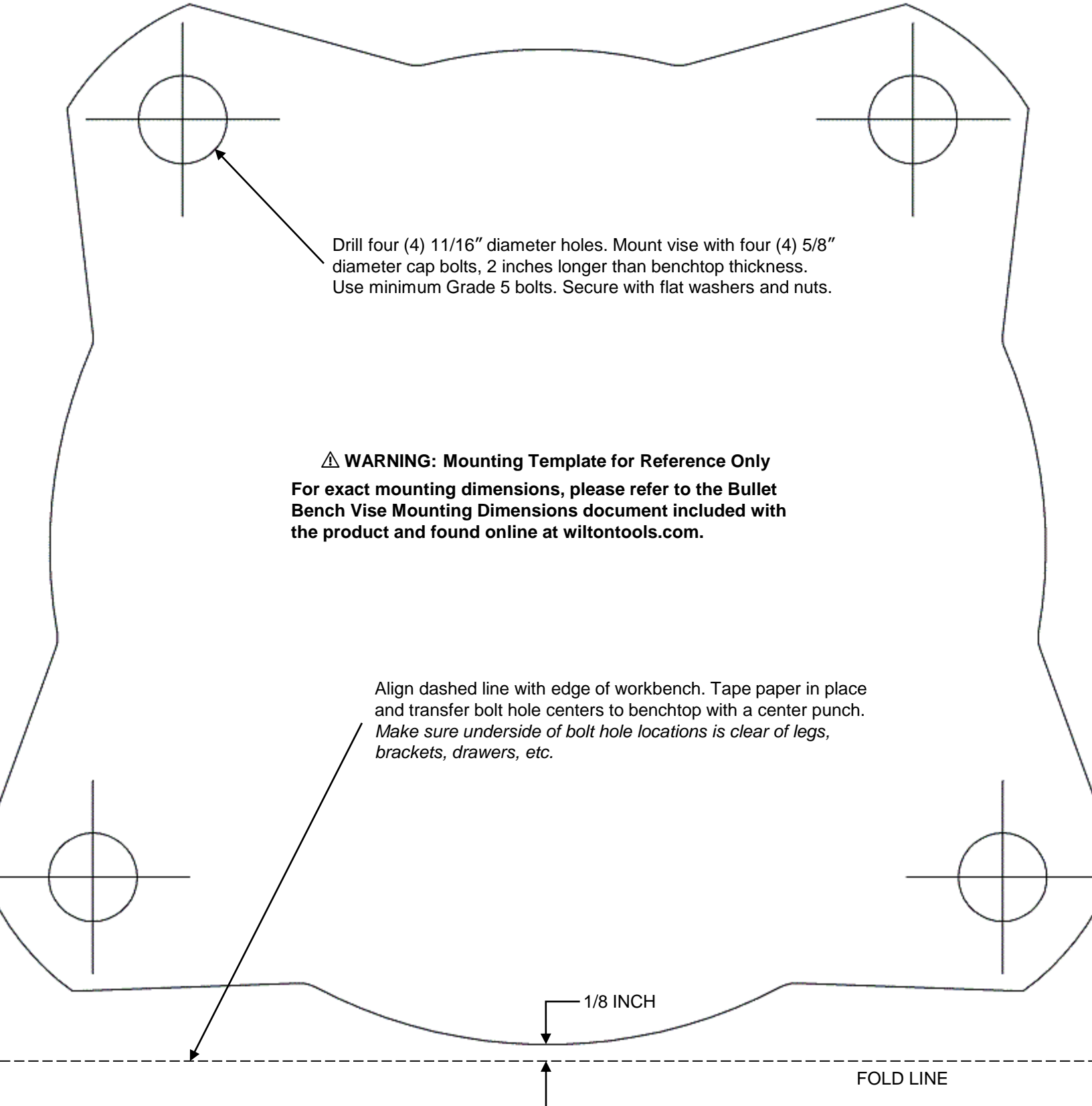


#28840 Model 1745XC Tradesman XC Vise Mounting Template





#28841 Model 1755XC Tradesman XC Vise
#28842 Model 1765XC Tradesman XC Vise
Mounting Template



Drill four (4) 11/16" diameter holes. Mount vise with four (4) 5/8" diameter cap bolts, 2 inches longer than benchtop thickness. Use minimum Grade 5 bolts. Secure with flat washers and nuts.

⚠ WARNING: Mounting Template for Reference Only
For exact mounting dimensions, please refer to the **Bullet Bench Vise Mounting Dimensions** document included with the product and found online at wiltontools.com.

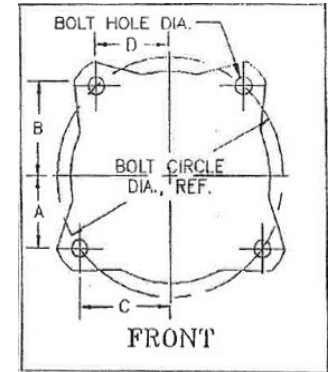
Align dashed line with edge of workbench. Tape paper in place and transfer bolt hole centers to benchtop with a center punch. *Make sure underside of bolt hole locations is clear of legs, brackets, drawers, etc.*

1/8 INCH

FOLD LINE



Bullet Bench Vise Mounting Dimensions



	Stock No.	Model	Base Outer Ring Part No.	Dimension A (in.)	Dimension B (in.)	Dimension C (in.)	Dimension D (in.)	Bolt Circle Diameter (in.)	Bolt Hole Diameter (in.)	Mounting Bolt Diameter (in.)
Combo Pipe & Bench	28825	C0	1011990	2 3/16"	2 7/8"	3 1/16"	2 7/16"	7 1/2"	9/16"	1/2"
	28826	C1	1011980	2 9/16"	3 5/16"	3 9/16"	2 13/16"	8 3/4"	11/16"	5/8"
	28827	C2	1010840	2 13/16"	3 3/4"	4 "	3 1/8"	9 3/4"	11/16"	5/8"
	28828	C3	1011080	3 1/2"	4 3/8"	4 1/2"	3 5/8"	11 3/8"	11/16"	5/8"
Machinist	28830	300S	1012010	1 7/8"	2 7/16"	2 9/16"	2 1/16"	6 3/8"	7/16"	3/8"
	28831	400S	1011980	2 9/16"	3 5/16"	3 9/16"	2 13/16"	8 3/4"	11/16"	5/8"
	28832	500S	1011980	2 9/16"	3 5/16"	3 9/16"	2 13/16"	8 3/4"	11/16"	5/8"
	28833	600S	1010840	2 13/16"	3 3/4"	4 "	3 1/8"	9 3/4"	11/16"	5/8"
	28834	800S	1011080	3 1/2"	4 3/8"	4 1/2"	3 5/8"	11 3/8"	11/16"	5/8"
Tradesman XC	28840	1745XC	1011990XC	2 3/16"	2 7/8"	3 1/16"	2 7/16"	7 1/2"	9/16"	1/2"
	28841	1755XC	1011980XC	2 9/16"	3 5/16"	3 9/16"	2 13/16"	8 3/4"	11/16"	5/8"
	28842	1765XC	1011980XC	2 9/16"	3 5/16"	3 9/16"	2 13/16"	8 3/4"	11/16"	5/8"
	28843	1780XC	1010840XC	2 13/16"	3 3/4"	4 "	3 1/8"	9 3/4"	11/16"	5/8"
Tradesman	28805	1745	1011990	2 3/16"	2 7/8"	3 1/16"	2 7/16"	7 1/2"	9/16"	1/2"
	28806	1755	1011980	2 9/16"	3 5/16"	3 9/16"	2 13/16"	8 3/4"	11/16"	5/8"
	28807	1765	1011980	2 9/16"	3 5/16"	3 9/16"	2 13/16"	8 3/4"	11/16"	5/8"
	28808	1780A	1010840	2 13/16"	3 3/4"	4 "	3 1/8"	9 3/4"	11/16"	5/8"