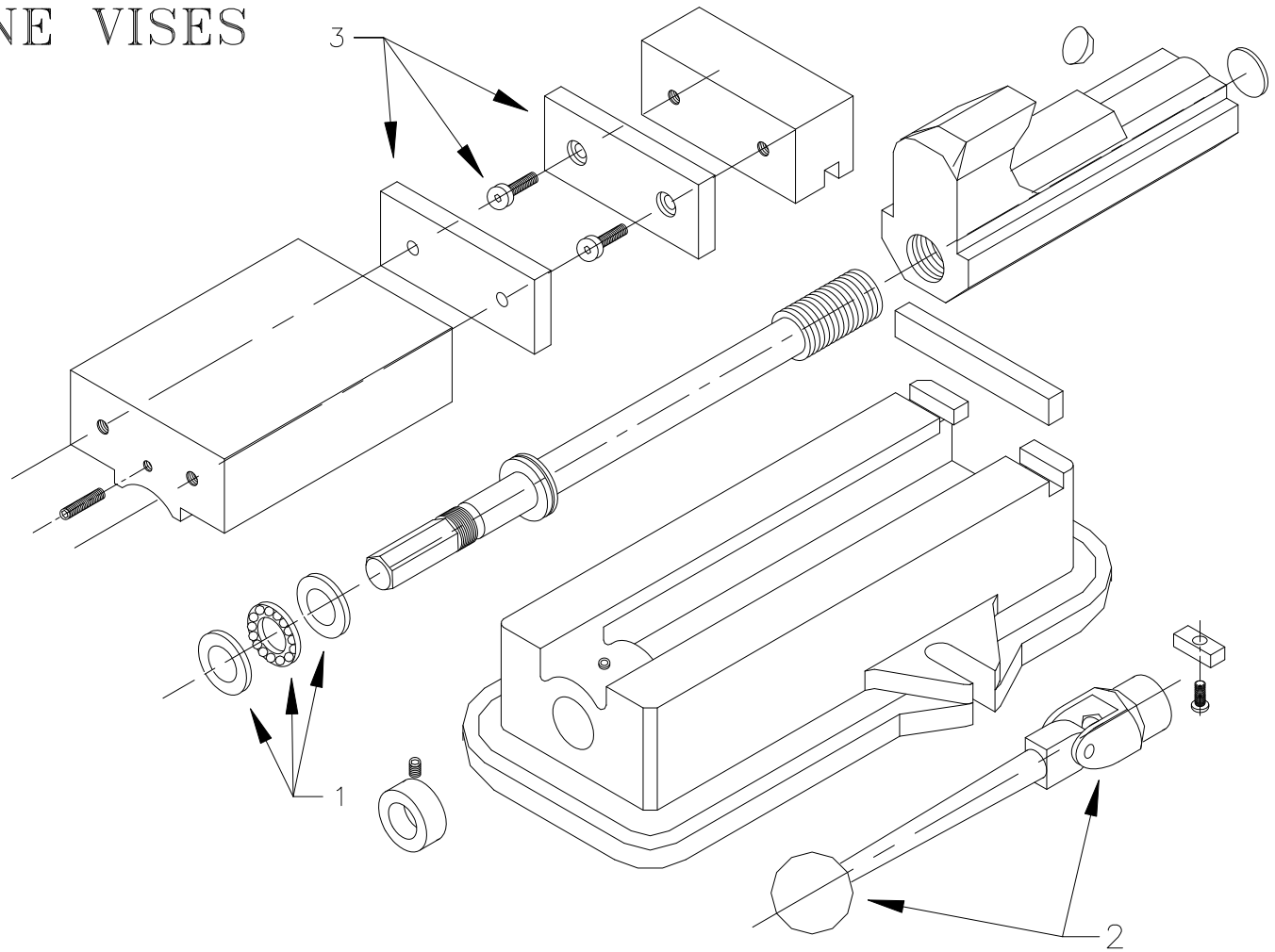


# VERTI-LOCK MACHINE VISES

## With Swivel Bases

### Replacement Parts



WILTON MODEL NUMBER	BASIC VISE SIZE JAW WIDTH	BASIC VISE SIZE JAW HEIGHT	MAXIMUM VISE JAW OPENING	ITEM #1 THRUST BEARING	ITEM #2 HANDLE ASSEMBLY	ITEM #3 JAW INSERTS WITH SCREWS	ITEM #4 SWIVEL BASE (NOT SHOWN) WITH HARDWARE	ITEM #5 (NOT SHOWN) WORK STOPS
1240N	4"	1-1/4"	4-1/4"	1500941	1500921	2908000	12284	25124
1250N	5"	1-1/2"	4-1/4"	1500331	1500231	2908010	12285	25125
*1260N	6"	1-3/4"	5-1/2"	1500341	1500241	2908020	12290	25126
1275N	6"	1-3/4"	7-1/2"	1500341	1500241	2908020	12290	25126
1280N	8"	2-1/4"	7-1/2"	1500351	1500251	2908030	12295	25128

\* Model 1275N replaced model 1260N.