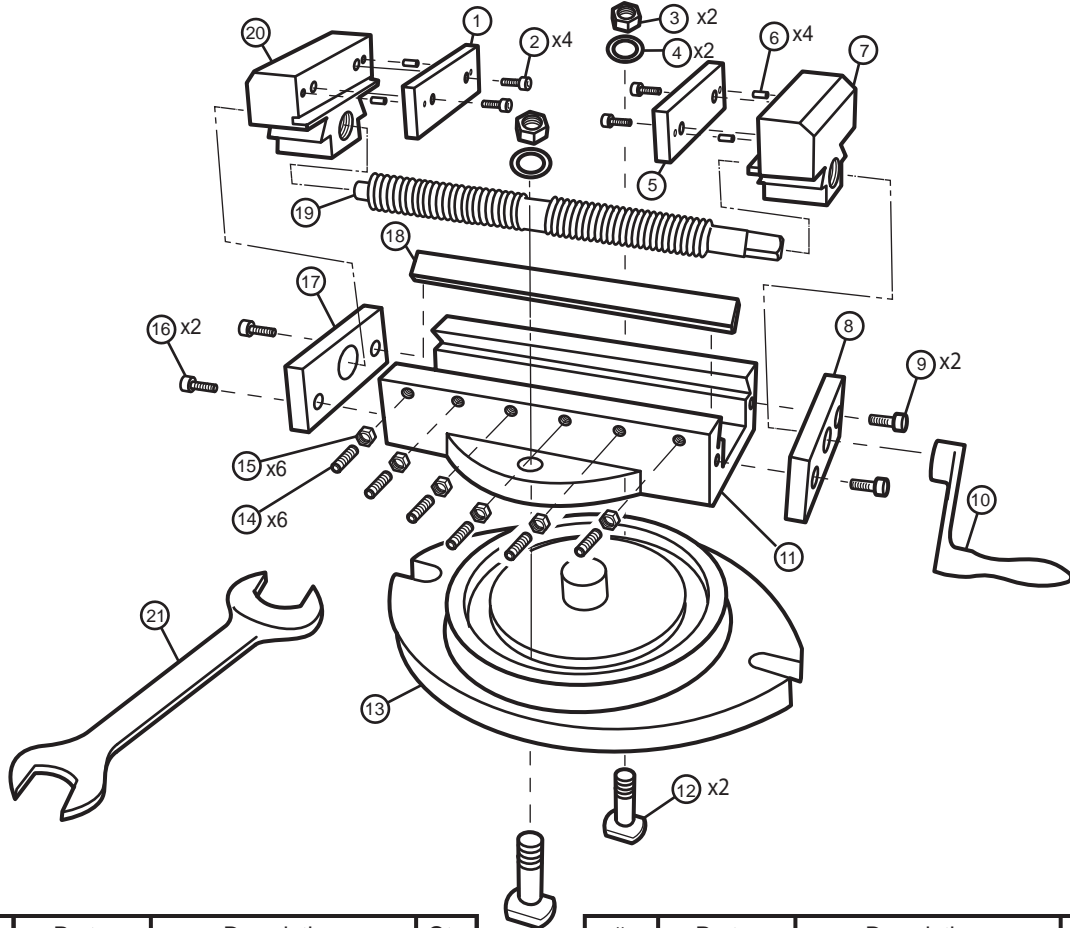




### Super Precision Self Centering Vise Parts Diagram

4" Jaw Width, 4" Jaw Opening, 1-1/2" Jaw Depth

Stock #: 11713 Model #: SCV/SP-100



#	Part	Description	Qty
1	11713-01	Jaw Insert	1
2	11713-02	Socket Head Cap Screw	4
3	11713-03	Hex Nut	2
4	11713-04	Flat Washer	2
5	11713-05	Jaw Insert	1
6	11713-06	Pin	4
7	11713-07	Front Jaw	1
8	11713-08	End Plate	1
9	11713-09	Socket Head Cap Screw	2
10	11713-10	Handle	1
11	11713-11	Vise Body	1

#	Part	Description	Qty
12	11713-12	Lock Bolt	2
13	11713-13	Swivel Base	1
14	11713-14	Set Screw	6
15	11713-15	Hex Nut	6
16	11713-16	Socket Head Cap Screw	2
17	11713-17	End Plate	1
18	11713-18	Gib	1
19	11713-19	Clamp Screw	1
20	11713-20	Rear Jaw	1
21	11713-21	Open End Wrench	1

**WARNING:** This product can expose you to chemicals including lead which is known to the State of California to cause cancer and birth defects or other reproductive harm. For more information go to <http://www.p65warnings.ca.gov>.

#### WILTON

427 New Sanford Road  
 LaVergne, Tennessee 37086  
 Ph.: 800-274-6848  
[www.wiltontools.com](http://www.wiltontools.com)

**Part No. M-11713**  
 Edition 2 08/2018

Copyright © 2018 WILTON, a Division of JPW Industries, Inc.