

Operations & Parts Manual



www.cantekamerica.com



JEN-60

Drawer Notcher

Please ensure you have your serial number available when contacting us for parts or service.

Cantek America Inc. | 1.888.982.2683 | **Parts:** sales@cantekamerica.com | **Service:** service@cantekamerica.com

Table of Contents

Page No.

1 SETUP AND MAINTENANCE

SAFETY WARNING.....	2~3
SETUP.....	4~8
ROUTINE MAINTENANCE.....	9~11
CHANG DRAWING NOTCH SIZE.....	12
DRILL HEIGHT GAUGE.....	13~14
JEN-60 DRAWER NOTCHER MACHINE SPECIFICATIONS.....	14
OPERATING BALL TYPE SENSOR.....	15
OPERATING SAFE DOOR.....	16
IMPORTANT WARNING NOTICE.....	17

2 PART LIST

TRANSMISSION MOTOR AND SHAFT ASSEMBLY.....	18~19
CUTTER SHAFT ASSEMBLY.....	20~21
HYDRAULIC CYLINDER.....	22~23
HEAVY DUTY, HIGH SPEED AIR DRILL.....	24~25
MAIN FRAME AND TABLE.....	26~28
SAFETY DOOR ASSEMBLY.....	29~31
PNEUMATIC ROUTING DIAGRAM.....	32~35

SAFETY WARNING

For Your own Safety, Read Instruction Manual Before Operating this Machine

The purpose of safety symbols is to attract your attention to possible hazardous conditions. This manual uses a series of symbols and signal words intended to convey the level of importance of the safety messages. The progression of symbols is described below. Remember that safety messages by themselves do not eliminate danger and are not a substitute for proper accident prevention measures.

DANGER: Indicates an imminently hazardous situation which, if not avoided, WILL result in death or serious injury.

WARNING: Indicates a potentially hazardous situation which, if not avoided, COULD result in death or serious injury.

CAUTION: Indicates a potentially hazardous situation which, if not avoided, MAY result in minor or moderate injury. It may also be used to alert against unsafe practices.

NOTICE: This symbol is used to alert the user to useful information about proper operation of the machine.

WARNING

Safety Instructions for Machinery

1. **READ THE ENTIRE MANUAL BEFORE STARTING MACHINERY.** Machinery presents serious injury hazards to untrained users.
2. **ALWAYS USE ANSI APPROVED SAFETY GLASSES WHEN OPERATING MACHINERY.** Everyday eyeglasses only have impact resistant lenses-they are NOT safety glasses.
3. **ALWAYS WEAR A NIOSH APPROVED RESPIRATOR WHEN OPERATING MACHINERY THAT PRODUCES DUST.** Wood just can cause severe respiratory illnesses.
4. **ALWAYS USE HEARING PROTECTION WHEN OPERATING MACHINERY.** Machinery noise can cause permanent hearing loss.
5. **WEAR PROPER APPAREL.** DO NOT wear loose clothing, gloves, neckties, rings, or jewelry that can catch in moving parts. Wear protective hair covering to contain long hair and wear non-slip footwear.
6. **NEVER OPERATE MACHINERY WHEN TIRED OR UNDER THE INFLUENCE OF DRUGS OR ALCOHOL.** Be mentally alert at all times when running machinery.
7. **ONLY ALLOW TRAINED AND PROPERLY SUPERVISED PERSONNEL TO OPERATE MACHINERY.** Make sure operation instructions are safe and clearly understood.
8. **KEEP CHILDREN AND VISITORS AWAY.** Keep all children and visitors a safe distance

from the work area.

9. **MAKE WORKSHOP CHILDPROOF.** Use padlocks, master switches, and remove start switch keys.
10. **NEVER LEAVE WHEN MACHINE IS RUNNING.** Turn power **OFF** and allow all moving parts to come to a complete stop before leaving machine unattended.
11. **DO NOT USE IN DANGEROUS ENVIRONMENTS.** **DO NOT** use machinery in damp, wet locations, or where any flammable or noxious fumes may exist.
12. **KEEP WORK AREA CLEAN AND WELL LIGHTED.** Clutter and dark shadows may cause accidents.
13. **USE A GROUNDED EXTENSION CORD RATED FOR THE MACHINE AMPERAGE.** Grounded cords minimize shock hazards. Undersized cords create excessive heat. Always replace damaged extension cords.
14. **ALWAYS DISCONNECT FROM POWER SOURCE BEFORE SERVICING MACHINE.** Make sure switch is in OFF position before reconnecting.
15. **MAINTAIN MACHINERY WITH CARE.** Keep blades sharp and clean for best and safest performance. Follow instructions for lubricating and changing accessories.
16. **MAKE SURE GUARDS ARE IN PLACE AND WORK CORRECTLY BEFORE USING MACHINERY.**
17. **REMOVE ADJUSTING KEYS AND WRENCHES.** Make a habit of checking for keys and adjusting wrenches before turning machinery **ON**.
18. **CHECK FOR DAMAGED PARTS BEFORE USING MACHINERY.** Check for binding or misaligned parts, broken parts, loose bolts, and any other conditions that may impair machine operation. Repair or replace damaged parts before operation.
19. **USE RECOMMENDED ACCESSORIES.** Refer to the instruction manual for recommended accessories. Improper accessories increase risk of injury.
20. **DO NOT FORCE MACHINERY.** Work at the speed for which the machine or accessory was designed.
21. **SECURE WORKPIECE.** Use clamps or a vise to hold the workpiece when practical. A secured workpiece protects your hands and frees both hands to operate the machine.
22. **DO NOT OVERREACH.** Maintain stability and balance at all times.
23. **MANY MACHINES CAN EJECT WORKPIECES TOWARD OPERATOR.** Know and avoid conditions that cause the workpiece to “kickback.”
24. **ALWAYS LOCK MOBILE BASES (IF USED) BEFORE OPERATING MACHINERY.**
25. **CERTAIN DUST MAY BE HAZARDOUS** to the respiratory systems of people and animals, especially fine dust. Be aware of the type of dust you are exposed to and always wear a respirator designed to filter that type of dust.

SETUP

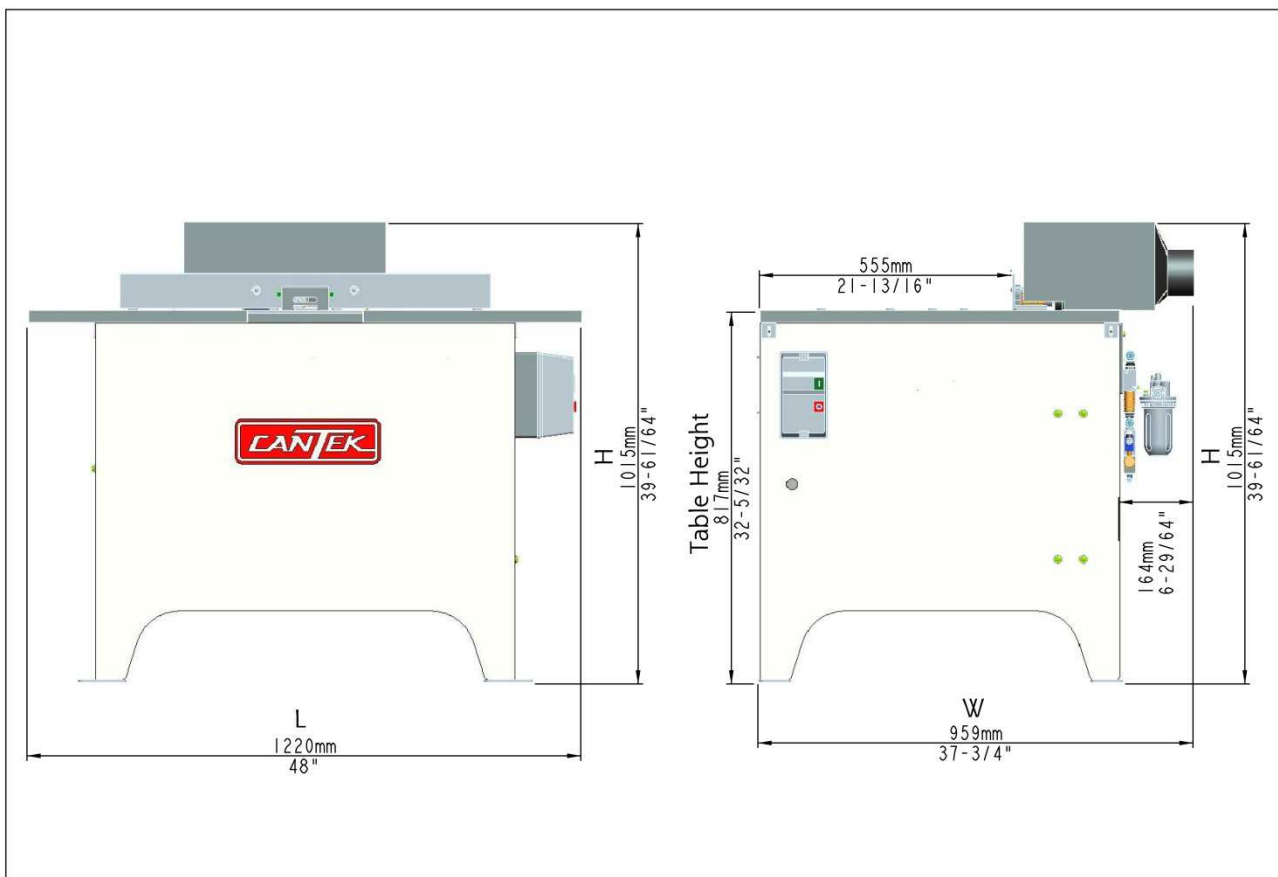
This machine is designed to notch your cabinet drawer boxes for undermount hardware. It is specifically designed for Blum® , but it also works with many other brands. This machine can cut the recess and drill the hole in the drawer box all at one time. You simply set the drawer box over the cutter and against a side fence. Push the drawer box back against the back fence activating the machine. Step on a foot control which moves the cutter up into the bottom of the drawer box at the same time as the drill moves inward to drill the holes in the drawer's back. You will be able to do all of this in approximately 10 seconds!

- **Step 1** : After uncrating your machine, you may either install your unit on the correct location , please measure your space first or bolt the machine to the floor in a permanent spot.

Table height: 32 Inch

Table size: 22 x 48 Inch

Footprint: 48"W x 31" D x 40" H



- **Step 2**

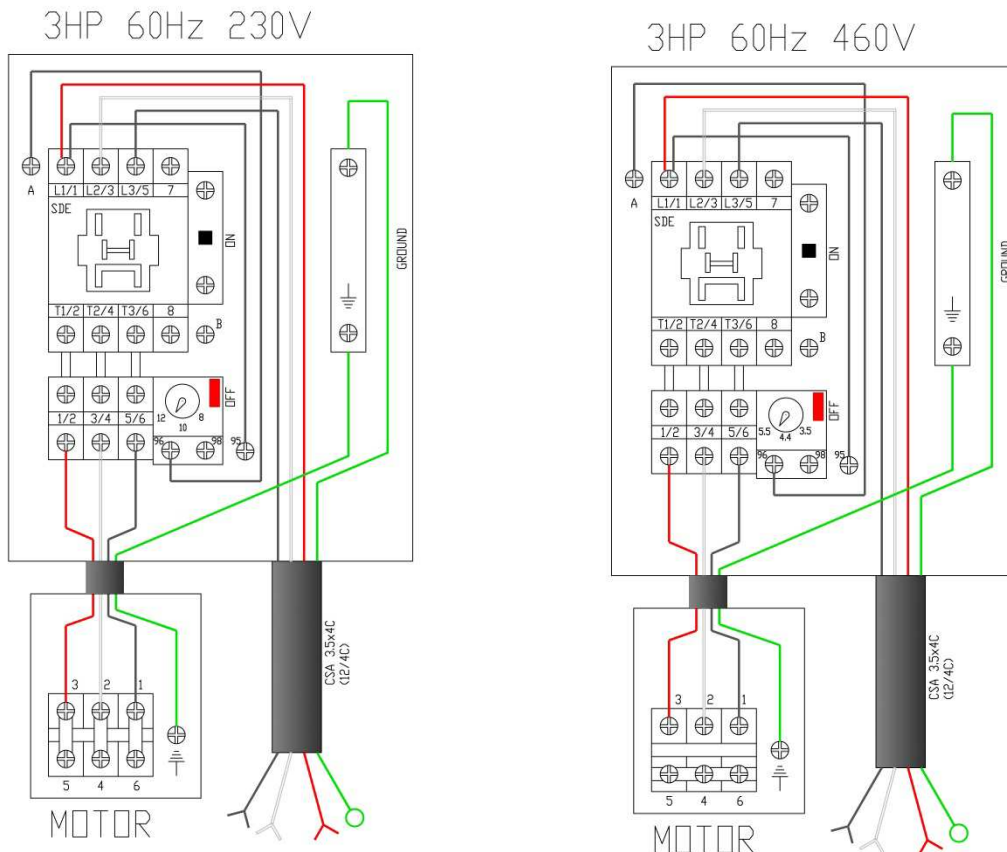
Hook your air supply to the Tee located by the air gauge.



You will need **60 PSI** minimum input to operate the Drawer Notcher. The regulators on the machine are preset on the **40 PSI**.

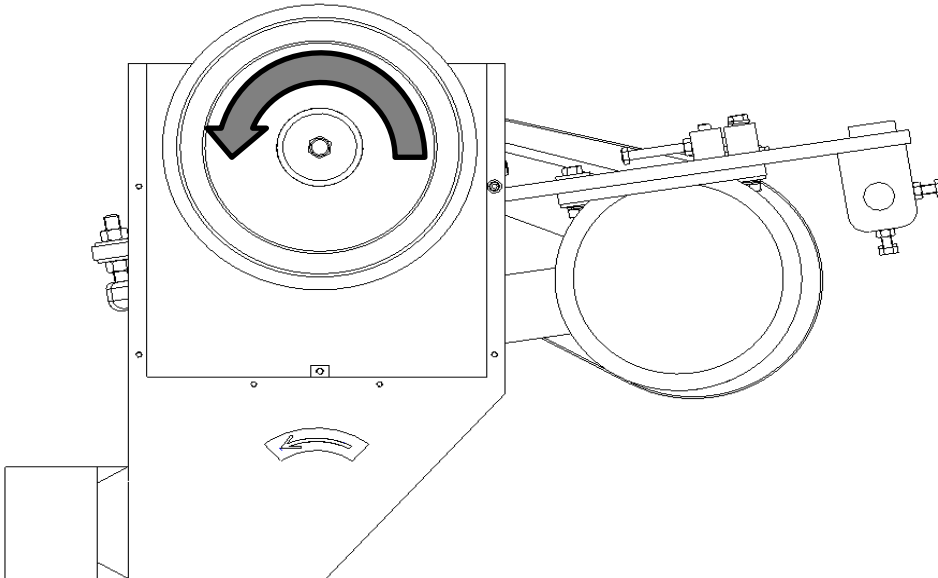
- **Step 3**

The machine is pre-wired according to your electrical specifications.



● **Step 4**

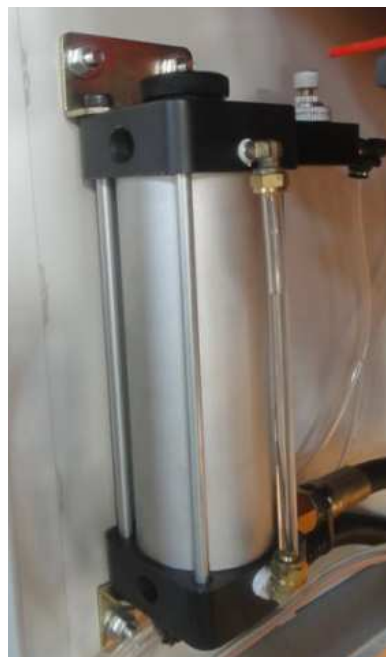
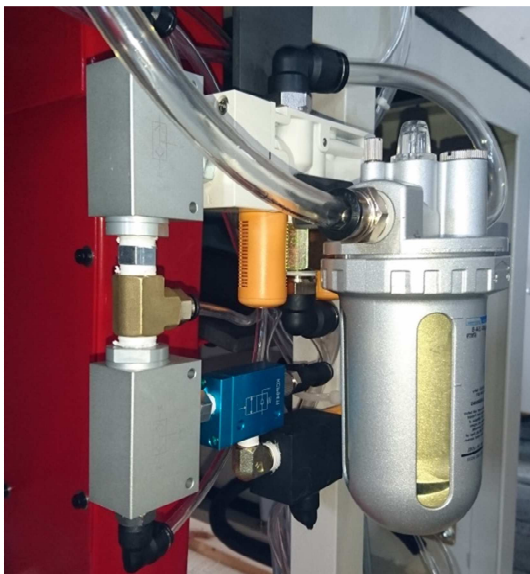
We recommend that a qualified shop electrician hook it up to your electrical supply. The cutter must rotate TOWARD the fence (Counter-clockwise turning). Please pay attention at the first running.



● **Step 5**

The Drawer Notcher comes equipped with an automatic oiler that lubricates the pneumatic drill that is located on the back of the machine.

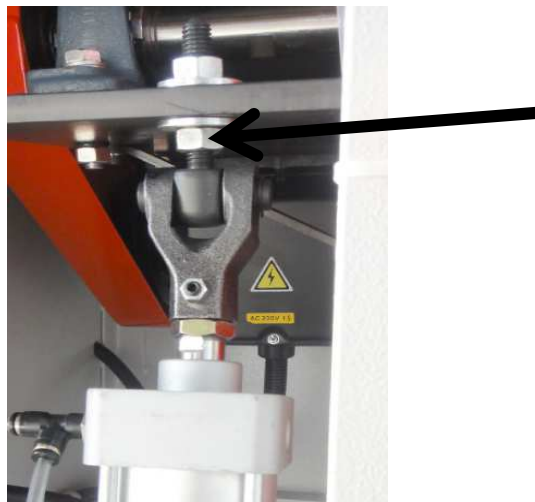
Adjust the automatic oiler for proper lubrication. Check oil level daily and at least 70% full volume for each oil tank! (specially parts no: JEN-60-07A-4 and 58 and 32)



- **Step 6**

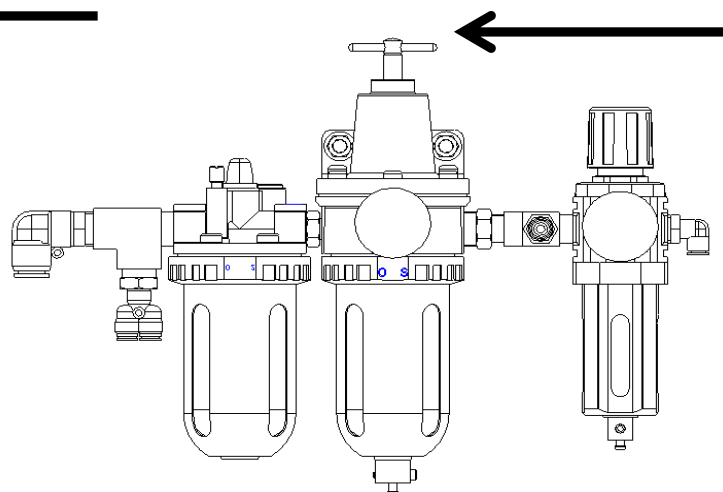
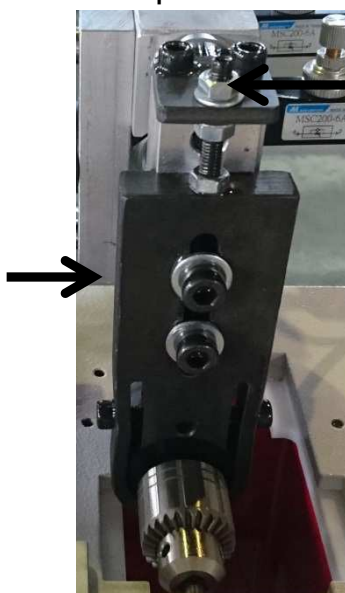
1. ADJUSTMENT FOR THE CUTTING HEIGHT :

- We have preset the drawer notch height to your specification, but you may need to do the micro-fine tune adjustment as required. The notch depth adjustment is done at the motor plate. Loosen the two Hex. Nuts (part no: JEN60-03A-1) to raise or lower the cutter. Please make sure to retighten after any adjusting.



2. ADJUSTMENT FOR THE DRILL HEIGHT :

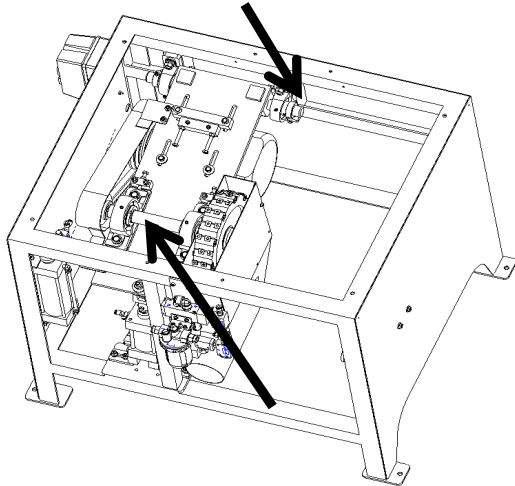
- The drill height is adjusted by loosening the (2) cap screws (part no: JEN-60-04A-05 and 04) in front of the machine. Please retighten after adjusting. The drill speed can be adjusted by turn on the air capacity on the top knob of air supply unit (part no: JEN-60-07A-04)



- The hardware mounting hole is drilled with a hi-speed air drill that can run at 20,000 RPM and has a 1/4 inch carbide drill bit. It requires 60-90 PSI and has a 3/8 inch chuck.
- All other air settings and feeds are factory set.

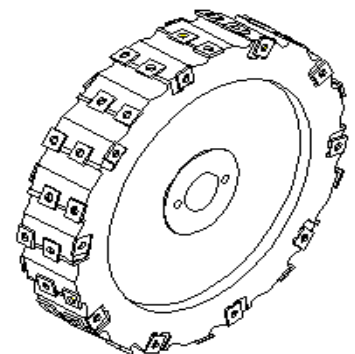
ROUTINE MAINTENANCE

- We recommend that the motor shaft bearing be greased every 200 hours using. It will help to keep running smoothly and longer life.

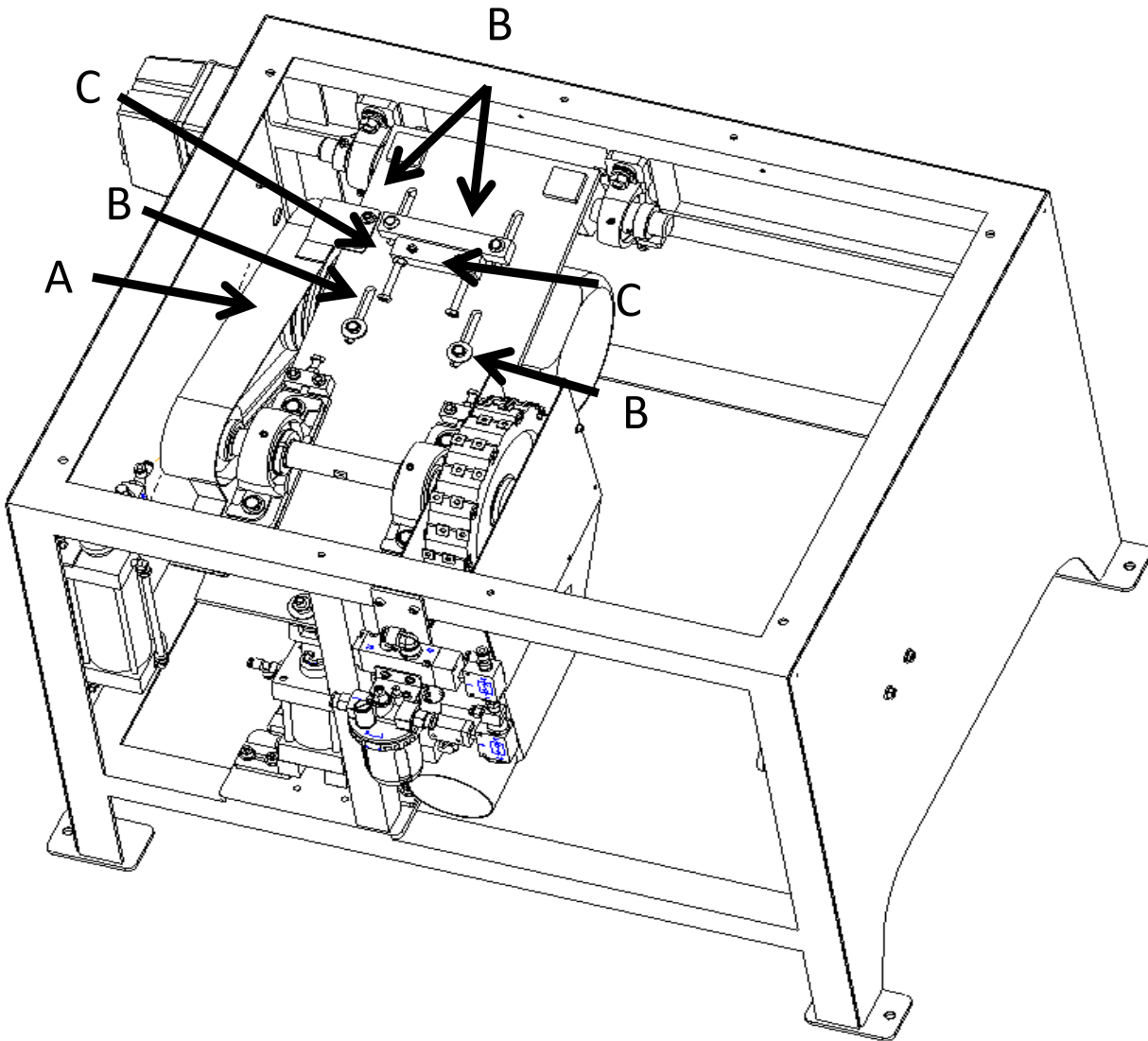


- Check oil level in the Hydraulic Reservoir – if it needs to be added to or replaced, we suggest Hydraulic Oil AW ISO 32.
- Please turn off all the power and start to check the reversible knife/Inserts cutter for wear and service accordingly. The cutter should be removed when rotating or replacing the carbide reversible knife. (Each carbide reversible knife has four cutting edges that can be rotated when dull.) Loosen and remove the Allen head cap screw to lift out the cutter. When reinstalling the cutter, you must turn it clockwise against the locating stops. When firm, retighten the Allen head cap screw.
- Extra reversible knife/ inserts can be bought in packages of 10:
#part no: JEN-60-02A-28 (attached square shaped, **wide: 57mm**) –
(Cutter uses 70 inserts)

JEN60-410-32 /cutter(wide:32mm) w/reversible knife	x 50 pcs
JEN60-410-35 /cutter (wide:35mm) w/reversible knife	x 50 pcs
JEN60-410-38 /cutter(wide:38mm) w/reversible knife	x 50 pcs
JEN60-410-45 /cutter(wide:45mm) w/reversible knife	x 60 pcs
JEN60-410-51 /cutter(wide:51mm) w/reversible knife	x 60 pcs
JEN60-410-57 /cutter (wide:57mm) w/reversible knife	x 70 pcs



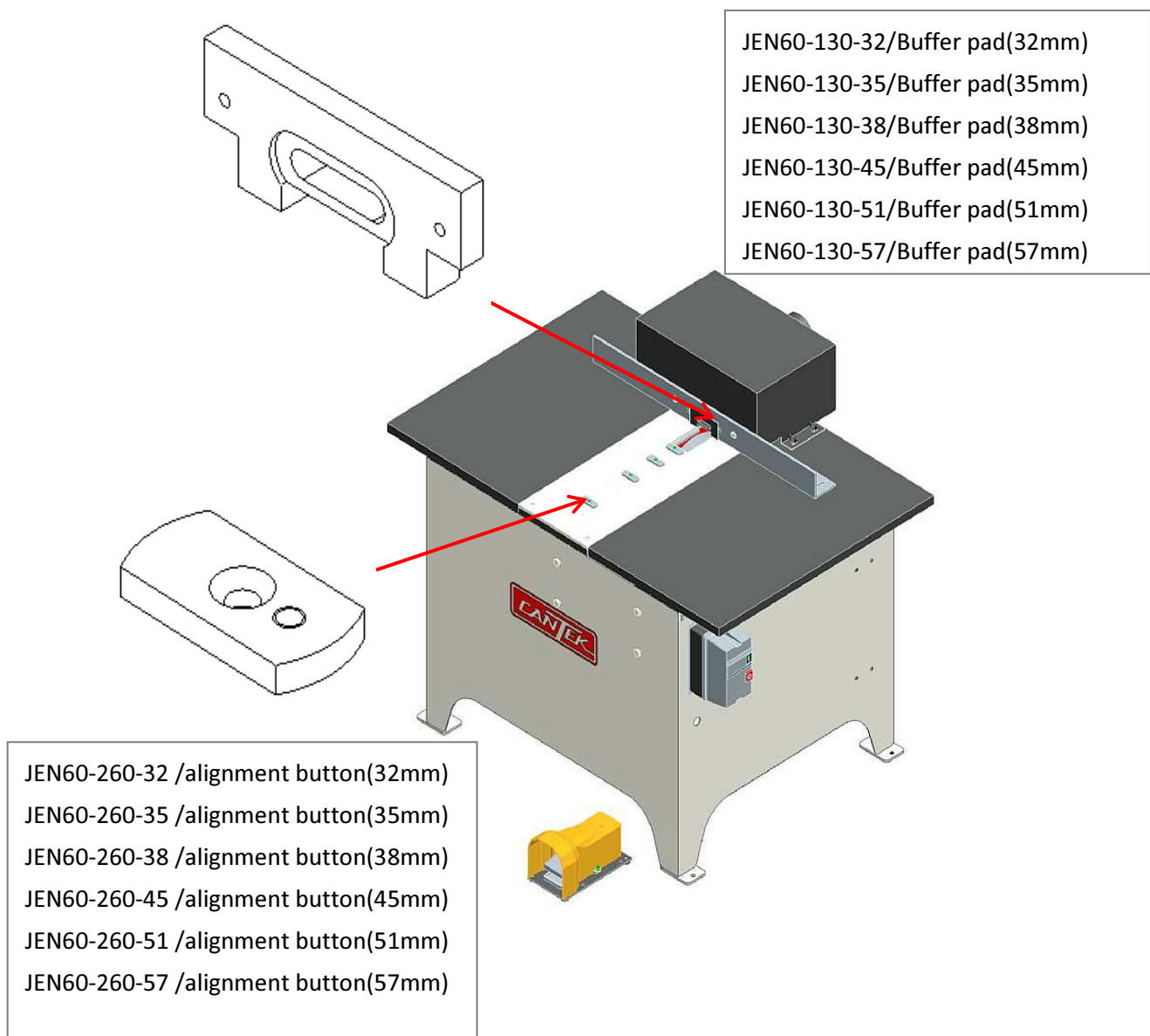
- Please check and adjust the **drive belt every 500 hours** using carefully. Here we are attached the process to replace the drive belt.



First , please take off the red pulley guard (part no:JEN-60-01A-26), as showing “ A”, and then loosen four Hex. Bolt (part no: JEN-60-01A-17 and 21) , as showing “B”. By using moving the two hex bolt M8 X80 (part no: JEN-60-01A-20), showing “C”, it can be easily to removed and install the belt and adjust the tightness of the belt. After assembly the belt, please tighten up the four Hex. Bolts and red pulley guard.

Remove Dust Collection Shroud behind Drill Mechanism and blow off with air by every using.

- Inspect Buffer pad and Alignment button if it is wear, it must be replacement

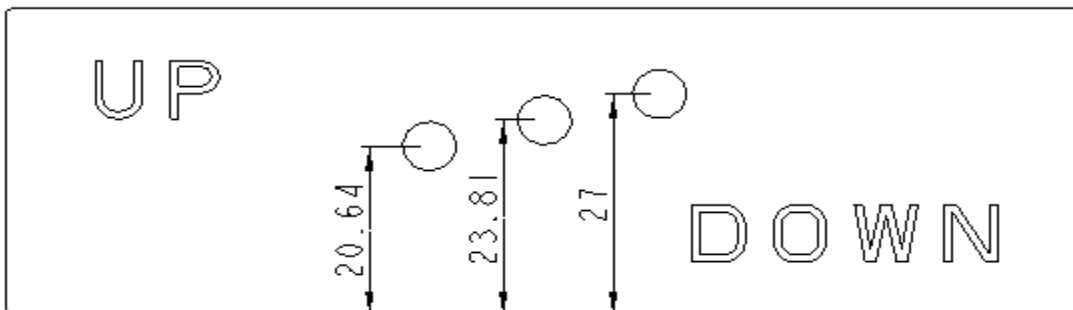
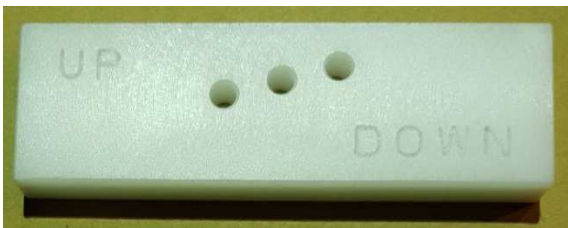


- Check Drill Components for excessive wear.
- Replace all safety and dust hoods if damaged.
- Inspect the entire machine for damaged or broken parts.
- Reconnect power supply and check operation.
- Check buttons for smooth operation.
- Inspect your buffer pad Surface periodically for wear; and if there is too much clearance between the cutter and the notch in the fence surface, then it should be replaced.
- When installing a new buffer pad Surface, you should slow down the flow control for your first cut. This will let the cutter make a nice clean cut in your new buffer pad. When you are done, you can turn the flow control back to the desired speed.

CHANG DRAWING NOTCHER SIZE

● USING THE SAMPLE TOOL PIECE

- A. Remove Belt Cover.
- B. Inspect Belt for wear and damage.
- C. Adjust Motor Mount if Belt needs tightening.
- D. Check and adjust cutting height and drill height, using caliper to check and adjust off sample tool piece.
- E. Check and adjust cutting tool and drill side to side, using caliper to check and adjust off sample tool piece.
- F. Check and adjust drill cutting depth, using caliper to check and adjust off sample tool piece.



This sample tool size will help you to get the size of below drawing “E”

Please see the reference list:

D	Cutting Height	3/8" (9.53mm)	1/2" (12.7mm)	5/8" (15.88mm)
E	From button of drawer to center of drill	13/16" (20.64mm)	15/16" (23.81mm)	1-1/16" (27mm)

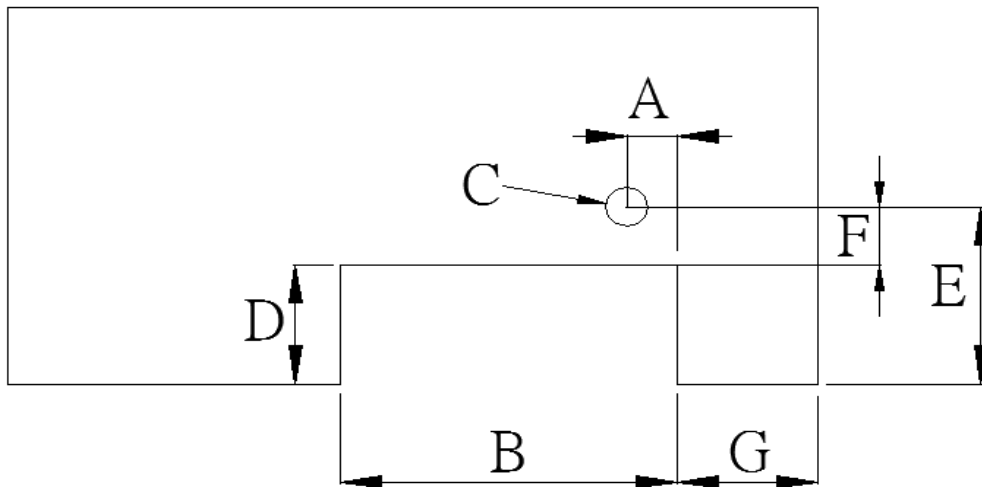
DRILL HEIGHT GAUGE

The Drill Height Gauge has three holes in it to accommodate a drill height of 13/16" , 15/16" or 1-1/16". (Drawing number "E")

- 1) The 13/16" hole is set for 3/8" Cutter Height.
- 2) The 15/16" hole is set for 1/2" Cutter Height.
- 3) The 1-1/16" hole is set for 5/8" Cutter Height.

The machine comes standard with a 2-1/4" cutter (57mm) with 1/2" for the cutter height(12.7mm). Special cutters can be custom ordered. Multiple Pass Models are also available (for wider cuts, you'll make multiple passes).

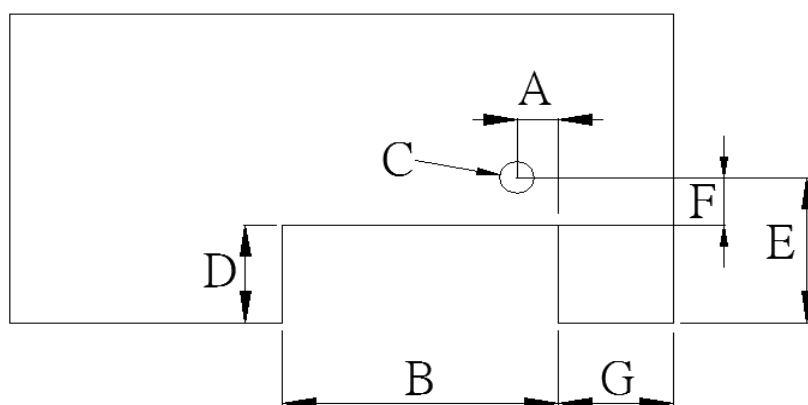
D	Cutting Height	3/8" (9.53mm)	1/2" (12.7mm)	5/8" (15.88mm)
E	From button of drawer to center of drill	13/16" (20.64mm)	15/16" (23.81mm)	1-1/16" (27mm)



- A. Distance of Inside box to center of drill hole
- B. Cut width (depend on your order cutter size, 32/35/38/45/51/57mm)
- C. Drill diameter of depth
- D. Cutter height
- E. From button of drawer to center of drill (need to match with D size and with Drill height gauge)
- F. Height of hole from top of notch
- G. Drawer side thickness

JEN-60 DRAWER NOTCHER MACHINE SPECIFICATIONS—57 mm cutter

1. Dimension “C” is 1/4” diameter x .375” deep.
2. Dimension “A” can be a minimum of 5/32”. It is factory set to 9/32”
3. Dimension “A” is the maximum travel available from standard configuration; 1.00”. An additional 1 inch of travel can be gained if a longer slide is installed.
4. The current hole depth is set to 3/8”, but can go deeper or adjusted.
5. Current slot width (Dimension B) is set for 2-1/4”(57mm). If any size other than that is needed, a special order cutter is needed. Wider cutters require other slight modifications of the machine.
6. Dimension “G” represents the thickness of the Drawer Box side. The cutter lines up with that. The cutter cuts flush with inside of drawer box.
7. Dimension “D” represents the notch height. It is currently set to customer specifications and could go as high as 5/8” or as low 3/8”.
8. Dimension “E” represents the height of the hole location from the table top. It also is currently set to customer specifications. It could go as low as 7/8” or as high as 1-1/16”.
9. Dimension “F” represents the height of the hole location from the top of the notch. Our factory setting is 7/16”. It can vary from that if necessary.



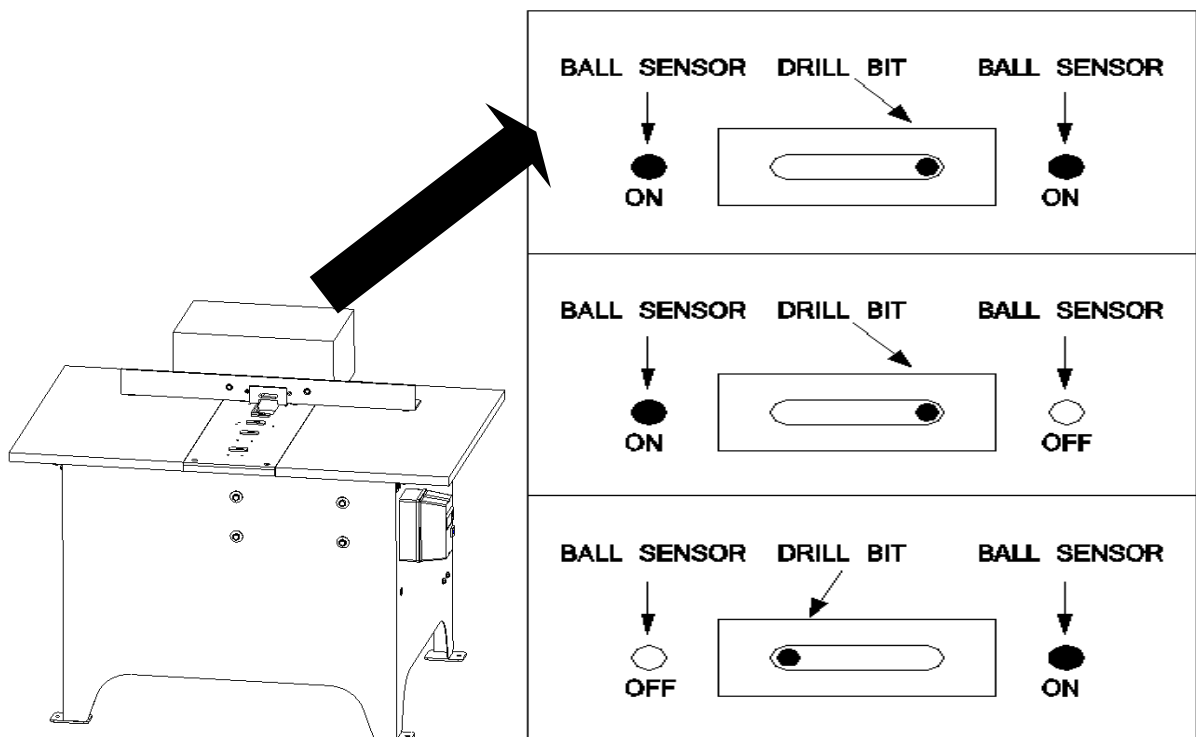
Please check all dimensions and make any changes needed for your specifications.

If dimension “B”= 57MM will need to be changed, a special cutter will be required.

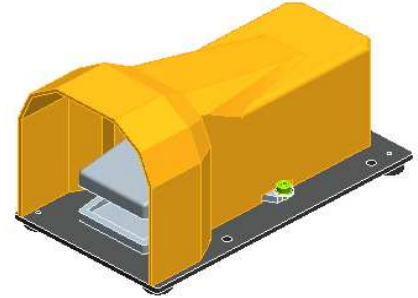
State if you need this machine wired to 208 or 220/240 or 440/480 specifications, please call our service department.

OPERATING BALL TYPE SENSOR

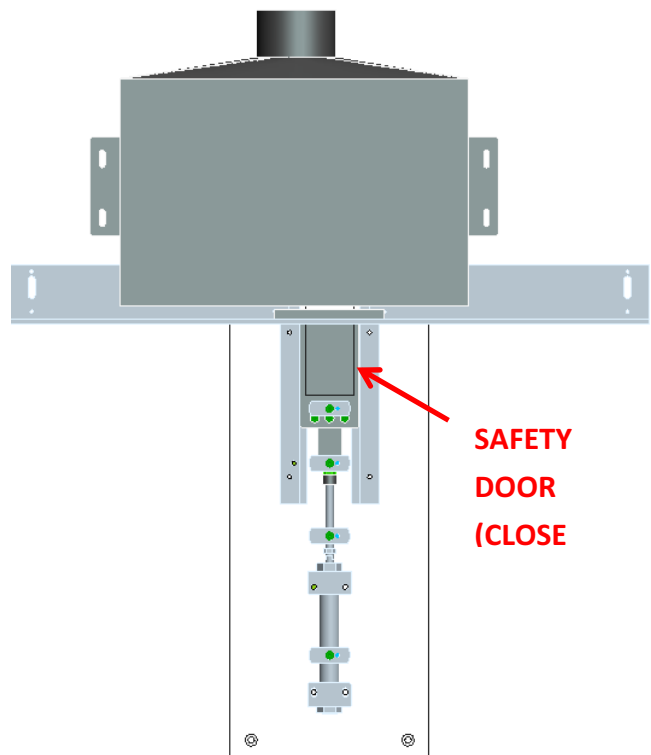
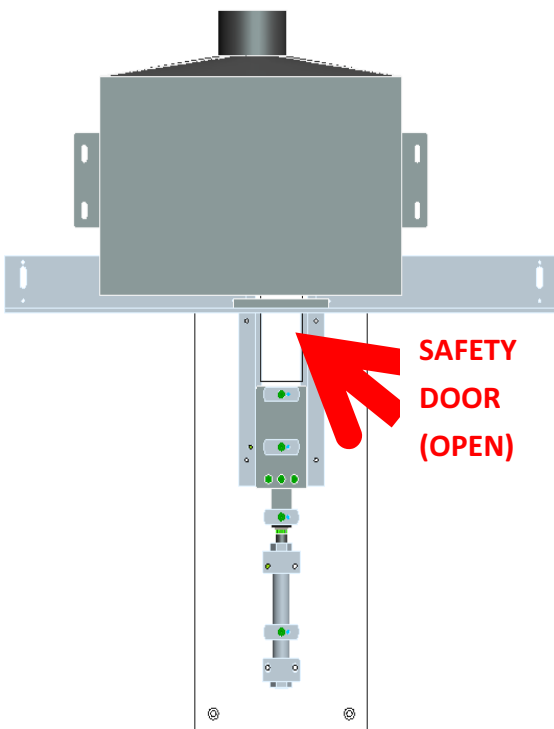
- Place the drawer box over the locating buttons and push drawer box up against the back fence. This will activate the **ball type sensor (2 pcs)** (part number: JEN60-07A-23) in the fence location which will start the drill. The system is now activated. Step on the foot control first, the cutter will rise and the drill will move forward.
- Repeat above steps to notch and drill the opposite side of the drawer.
- The ball type sensor can also be independent operating. Such as left or right side operating only. Please see the below drawing, the drill bit will moved as indicated.



OPEN SAFETY DOOR FROM THE TABLE

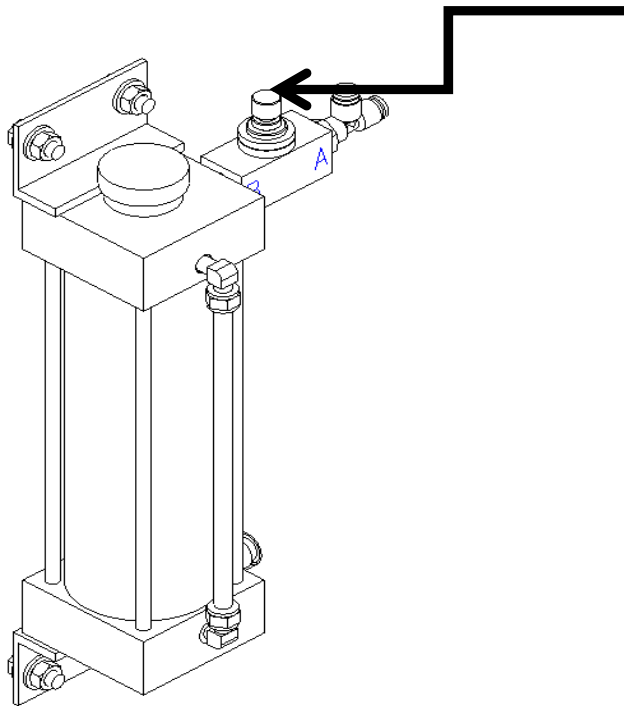


Please connect your electric and air system first, second, step on the foot switch, the safety door (guard) will be opened quickly and let the cutter will raise up. When you release the foot switch , the safety door will be gently closed.

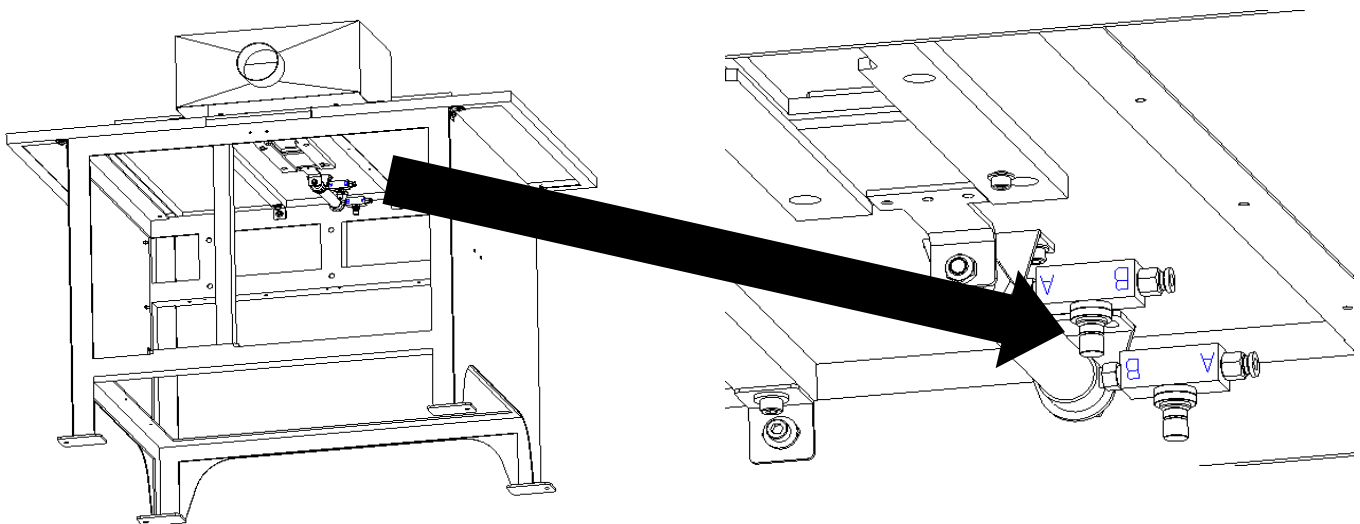


IMPORTANT WARNING NOTICE

- A **Don't** do any adjustment on this valve, it is to speed control valve for cutter raising up. It is setted by factory with correct speed.

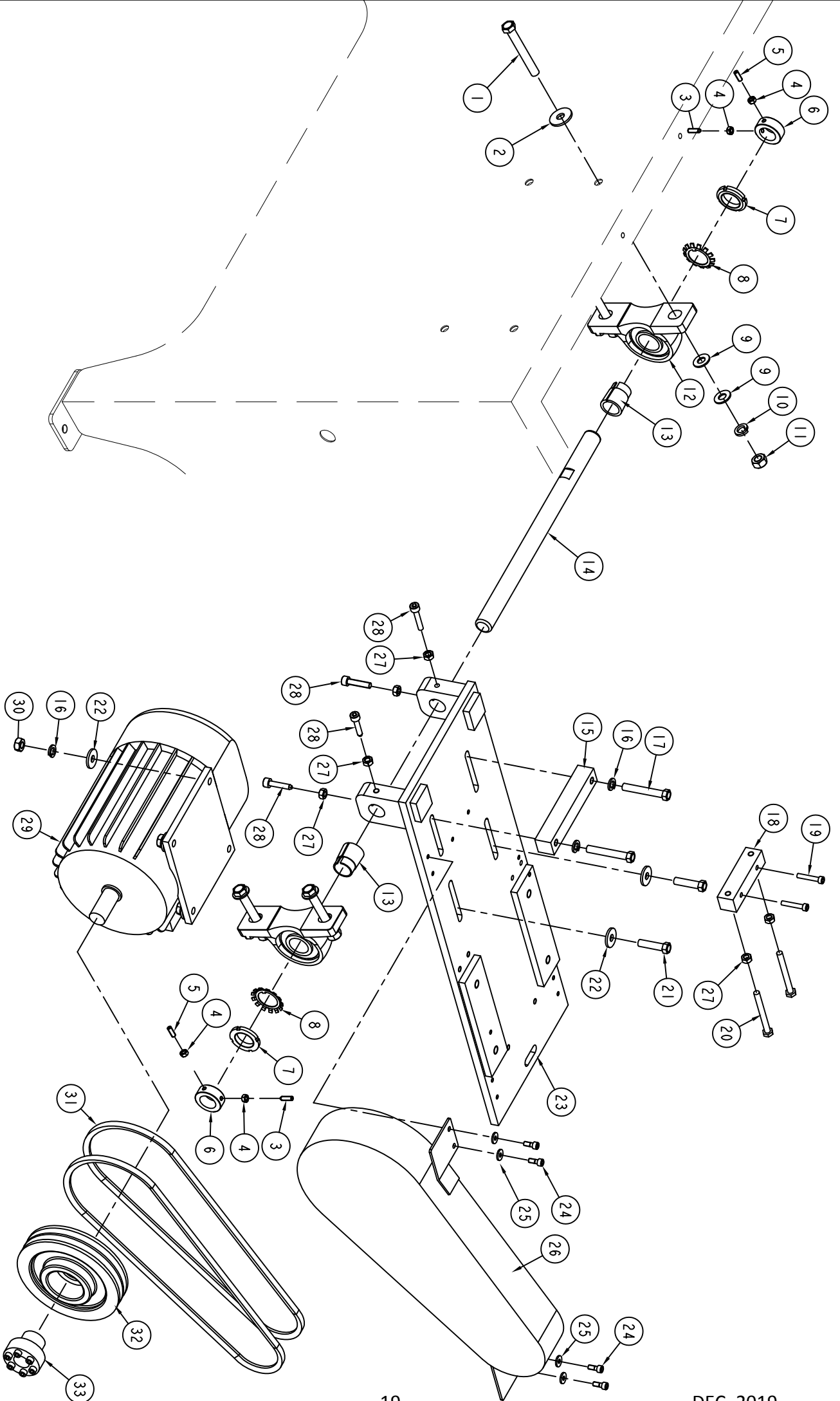


- B. This two air valve is to control the safety door open/closed speed. Please **do not** adjust it. Thanks!



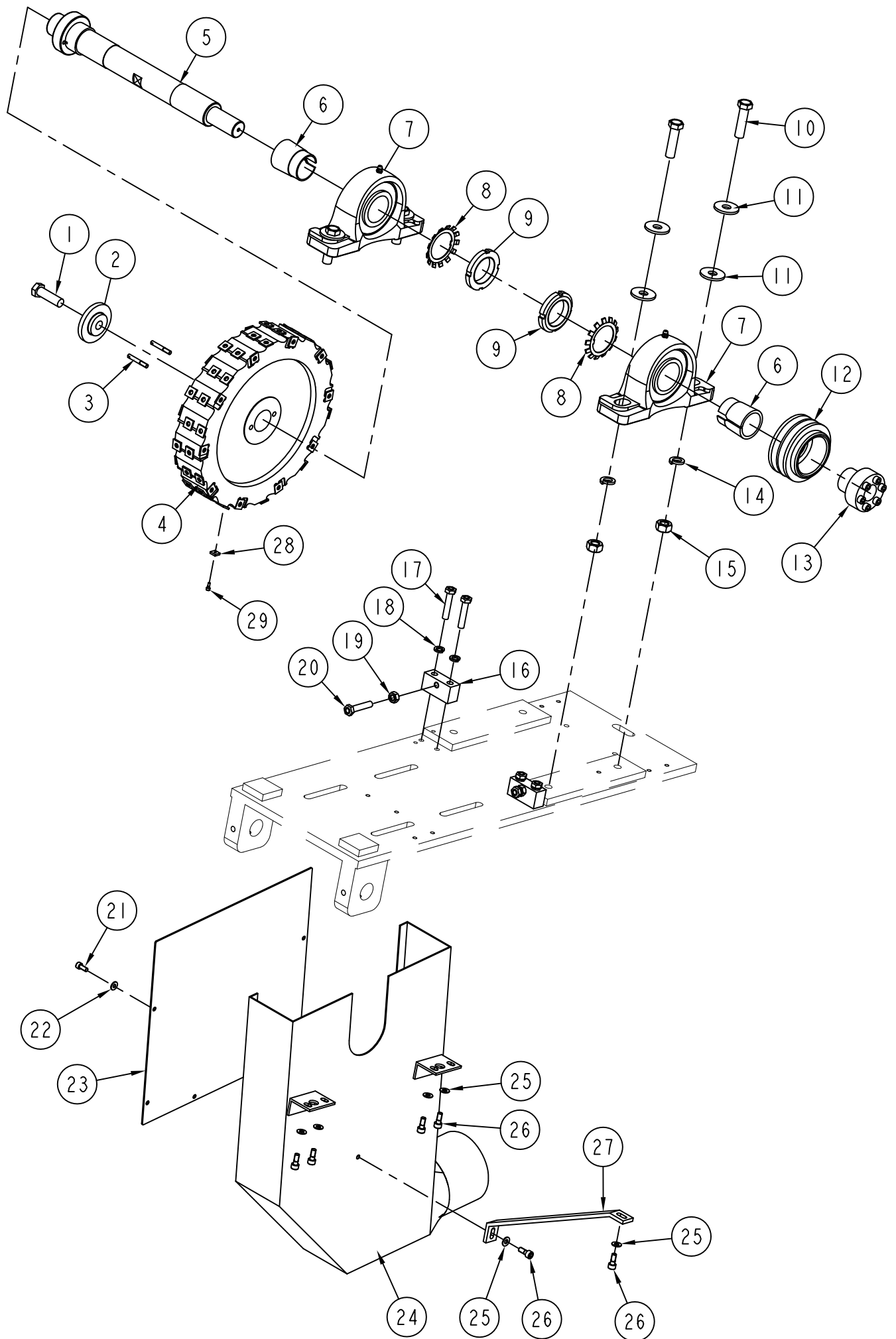
JEN-60 :TRANSMISSION MOTOR AND SHAFT ASSEMBLY

JEN-60-01A			
NO	PARTS NO	SPECIFICATION	Q'TY
1	SB12X90	HEX BOLT M12-1.75 X 90	4
2	SD12X34X3	FLAT WASHER 12MM	4
3	JEN60-930	SET SCREW M6-1 X 20	2
4	SA6X5	HEX NUT M6-1	4
5	SCA6X16	SET SCREW M6-1 X 16	2
6	JEN60-940	BEAM RING	2
7	JBUKP206-H2306-NUT	SLEEVE NUT	2
8	JBUKP206-H2306-WASHER	SLEEVE WASHER	2
9	SD12X25X2	FLAT WASHER 12MM	8
10	SDI12	SPRING WASHER 12MM	4
11	SA12X10	HEX NUT M12	4
12	JBNKBUKP206-25	BLOCK BEARING	2
13	JBUKP206-H2306-BEARING SLEEVE	BEARING SLEEVE	2
14	JEN60-490	AXIS FOR ROTATION ψ 25x385L	1
15	JEN60-340	MOTOR POSITION BLOCK	1
16	SDI10	SPRING WASHER 10MM	6
17	SB10X65	HEX BOLT M10-1.5 X 65	2
18	JEN60-350	MOTOR ADJUSTMENT BLOCK	1
19	SC6x35	CAP SCREW M6-1 X 35	2
20	SB8X80	HEX BOLT M8-1.25 X 80	2
21	SB10X45	HEX BOLT M10-1.5 X 45	2
22	SD10X28X3	FLAT WASHER 10MM	6
23	JEN60-310	MOTOR SHAFT PLATE WELDMENT	1
24	SC6x16	CAP SCREW M6-1 X 16	4
25	SD6x16x2	FLAT WASHER 6MM	4
26	JEN60-820	PULLEY GUARD	1
27	SA8X6	HEX NUT M8	6
28	JEN60-870	SET SCREW M8X35	4
29	JEN60-780	MOTOR	1
30	SA10X8	HEX NUT M10	4
31	SPZ_1000	BELT SPZ_1000	2
32	JEN60-400	PULLEY	1
33	SB-24	KEYLESS COLLAR ψ 24	1



JEN-60 :CUTTER SHAFT ASSEMBLY

JEN-60-02A			
NO	PART NO	DESCRIPTION	Q'TY
1	SBB12x40	STEEL HEXAGON BOLT M12x40	1
2	JEN60-380	SPINDLE CAP	1
3	JEN60-370	SET PIN	2
4	JEN60-410-32	CUTTER,1-1/4" (32mm)	1
	JEN60-410-35	CUTTER,1-3/8" (35mm)	1
	JEN60-410-38	CUTTER,1-1/2" (38mm)	1
	JEN60-410-45	CUTTER,1-3/4" (45mm)	1
	JEN60-410-51	CUTTER,2" (51mm)	1
	JEN60-410-57	CUTTER,2-1/4" (57mm)	1
5	JEN60-360	CUTTER SPINDLE WITH PINS	1
6	JBUKP208-H2308-BEARING SLEEVE	BEARING BLOCK SLEEVE	2
7	JBASAHIUKP208-35	BLOCK HOUSING UNITS	2
8	JBUKP208-H2308-WASHER	SLEEVE WASHER	2
9	JBUKP208-H2308-NUT	SLEEVE NUT	2
10	SB12X60	HEX BOLT M12-1.75 X 60	4
11	SD12X25X2	FLAT WASHER 12MM	8
12	JEN60-390	CUTTER SHAFT PULLEY	1
13	SB-24	KEYLESS COLLAR	1
14	SDI12	LOCK WASHER 12MM	4
15	SA12X10	HEX NUT M12	4
16	JEN60-460	ADJUSTMENT BLOCK	2
17	SB8X40	HEX BOLT M8-1.25 X 40	4
18	SDI8	LOCK WASHER 8MM	4
19	SA8X6	HEX NUT M8	2
20	SB8X50	HEX BOLT M8-1.25 X 50	2
21	SC5X12	CAP SCREW M5-0.8 X12	6
22	SD5x12x1	FLAT WASHER 5MM	6
23	JEN60-790	LOWER CUTTER SHROUD COVER	1
24	JEN60-770	LOWER CUTTER SHROUD DUST HOOD	1
25	SD6X13X1	FLAT WASHER 6MM	6
26	SC6x16	CAP SCREW M6-1 X 16	6
27	JEN60-810	SUPPORTING BRACKET	1
28	JTCTF14x14x2-1	REVERSIBLE KNIFE	70
29	SZ6x15	STAR SCREW	70

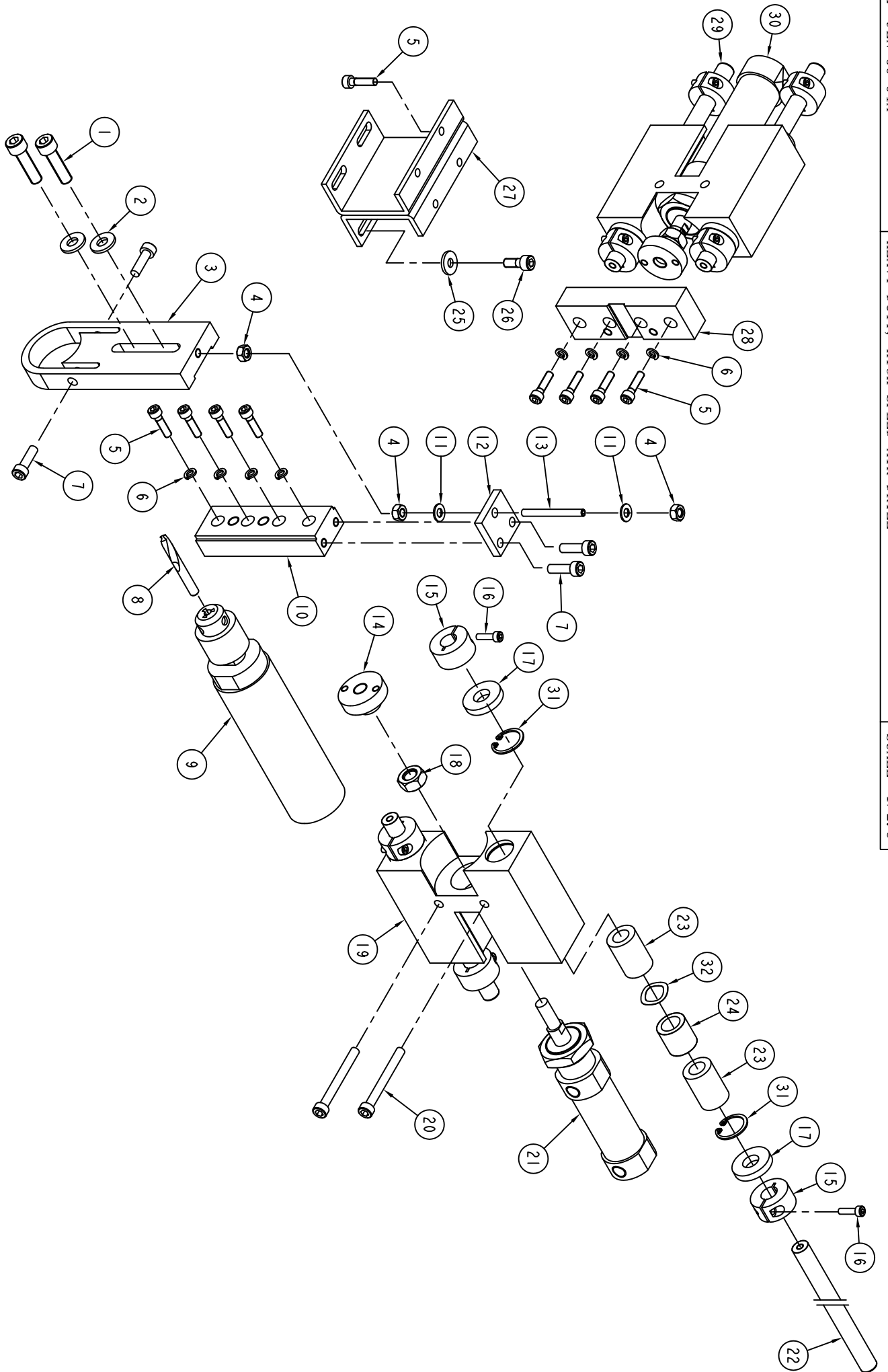


JEN-60 :HYDRAULIC CYLINDER

JEN-60-03A			
NO	PART NO	DESCRIPTION	Q'TY
1	SA12X10	HEX NUT M12	2
2	SD12X34X3	FLAT WASHER 12MM	2
3	SS14	EXT RETAINING RING 14MM	2
4	JEN60-670	THREADED STUD	1
5	JEN60-440	CYLINDER CONNECTOR	1
6	JEN60-680	DRIVE AXIS	1
7	JEN60-420	PRESSURE OIL CYLINDER	1
8	JEN60-480	CYLINDER ANGLE BAR	2
9	SB8X35	HEX BOLT M8-1.25 X 35	4
10	JEN60-470	CYLINDER MOUNT LEG	2
11	JEN60-690	ROTATION AXIS	1
12	SC8x20	CAP SCREW M8-1.25 X 20	4
13	SD8x18x2	FLAT WASHER 8MM	4
14	SS16	EXT RETAINING RING 16MM	2
15	SA6X5	HEX NUT M6-1	1
16	JEN60-930	SET SCREW M6-1 X 20	1

JEN-60 :HEAVY DUTY, HIGH SPEED AIR DRILL

JEN-60-04A			
NO	PARTS NO	DESCRIPTION	Q'TY
1	SC8X30	CAP SCREW M8-1.25 X30	2
2	SD8x18x2	FLAT WASHER 8MM	2
3	JEN60-100	DRILL GRIP	1
4	SA6X5	HEX NUT M6	3
5	SC5X16	CAP SCREW M5-0.8 X 16	12
6	SDI5	SPRING WASHER 5MM	8
7	SC6x20	CAP SCREW M6-1 X 20	4
8	JEN60-910	DRILL BIT ψ 6.3*55L	1
9	J-JHE-1174-102	Heavy-duty high-speed air drill	1
10	JEN60-620	DRILL FIXED BLOCK	1
11	SD6X13X1	FLAT WASHER 6MM	2
12	JEN60-640	DRILL MICRO-ADJUSTMENT BLOCK	1
13	SCA6X50	SET SCREW M6-1 X 50	1
14	JEN60-570	FRONT FIXED SEAT FOR CYLINDER	2
15	JEN60-600	STROKE RESTRICTION RING	8
16	SC4x15	CAP SCREW M4-0.7 X 15	8
17	JEN60-610	PU RING	8
18	SA10X8	HEX NUT M10	2
19	JEN60-580	CYLINDER BRACKET	2
20	SC6x55	CAP SCREW M6-1 X 55	2
21	JEN60-560	ψ 25x25ST_CYLINDER	1
22	JEN60-660	ψ 12x170 _GUIDE ROD	2
23	JBKBSLM12UU	ROUND ROD LINEAR BEARING	8
24	JEN60-700	SLEEVE	4
25	SD6x16x2	FLAT WASHER 6MM	4
26	SC6x16	CAP SCREW M6-1 X 16	4
27	JEN60-630	CORNER BRACKET	1
28	JEN60-590	50ST-CYLINDER FRONT BLOCK	1
29	JEN60-650	ψ 12x190 GUIDE ROD	2
30	JEN60-550	ψ 25x50ST CYLINDER	1
31	SR21	INT RETAINING RING 21MM	8
32	SDF627	WAVE WASHER	4

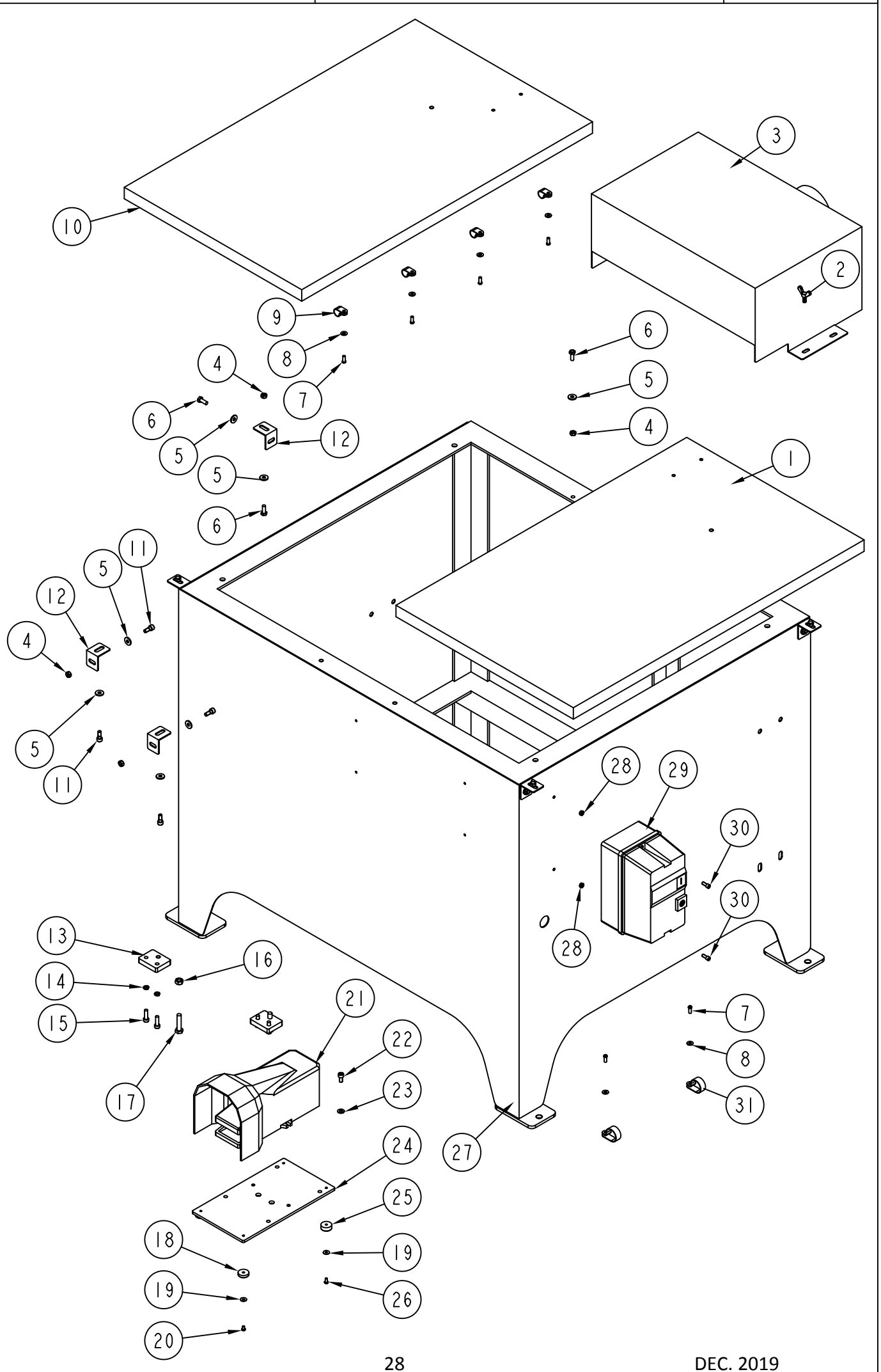


JEN-60 :MAIN FRAME AND TABLE

JEN-60-05A			
NO	PARTS NO	SPECIFICATION	Q'TY
1	JEN60-030	RIGHT SIDE TABLE	1
2	SQ6x16	WING SCREW M6-1 X 16	1
3	JEN60-840	TOP DUST HOOD	1
4	SA6X5	HEX NUT M6-1	8
5	SD6x16x2	FLAT WASHER 6MM	14
6	SB6X16	HEX BOLT M6-1.0 X 16	10
7	SE5x12	PHLP HD SCR M5-.8 X 12	6
8	SD5x12x1	FLAT WASHER 5MM	6
9	ACC4-1	WIRE FIXING BUCKLE	4
10	JEN60-020	LEFT SIDE TABLE	1
11	SC6x16	CAP SCREW M6-1 X 16	4
12	JEN60-830	TABLE ANGLE BRACKET	6
13	JEN60-500	BENCHMARK BLOCK	2
14	SDI6	SPRING WASHER 6MM	4
15	SC6x20	CAP SCREW M6-1 X 20	4
16	SA8X6	HEX NUT M8	2
17	SB8X35	HEX BOLT M8-1.25 X 35	2
18	J4F210-086-FOOT-6T	FOOT PAD ψ 21x6	2
19	SD4x12x1	FLAT WASHER 4MM	4
20	SE4x6	PHLP HD SCR M4-.7 X 6	2
21	J4F210-086	FOOT SWITCH	1
	JMV-27	BEADS	1
	NGN-17B-100-1500mm	NYLON HOSE	1
22	SC6x12	CAP SCREW M6-1 X 12	2
23	SD6X13X1	FLAT WASHER 6MM	2
24	JEN60-860	PEDAL FIXING PAD	1
25	J4F210-086-FOOT-9T	FOOT PAD ψ 21x9	2
26	SE4x8	PHLP HD SCR M4-.7 X 8	2
27	JEN60-010	MAIN FRAME	1
28	SA5X4	HEX NUT M5	2
29	MP-03	MAGNETIC SWTICH	1
	PMB-04M20	EUROPENAN NYLON STRAIGHT HEAD	1
	NGN-17B-100-700mm	NYLON HOSE	1
	MG-25A	CABLE HOLDER	1
	E-011 (CSA)	CABLE	1

JEN-60 :MAIN FRAME AND TABLE

JEN-60-05A			
	PMB-04M25	EUROPENAN NYLON STRAIGHT HEAD	1
	SDE5	OUTER TOOTH WASHER	3
30	D65-6010	SWITCH SET SCREW	2
31	ACC8-1	WIRE FIXING BUCKLE	2

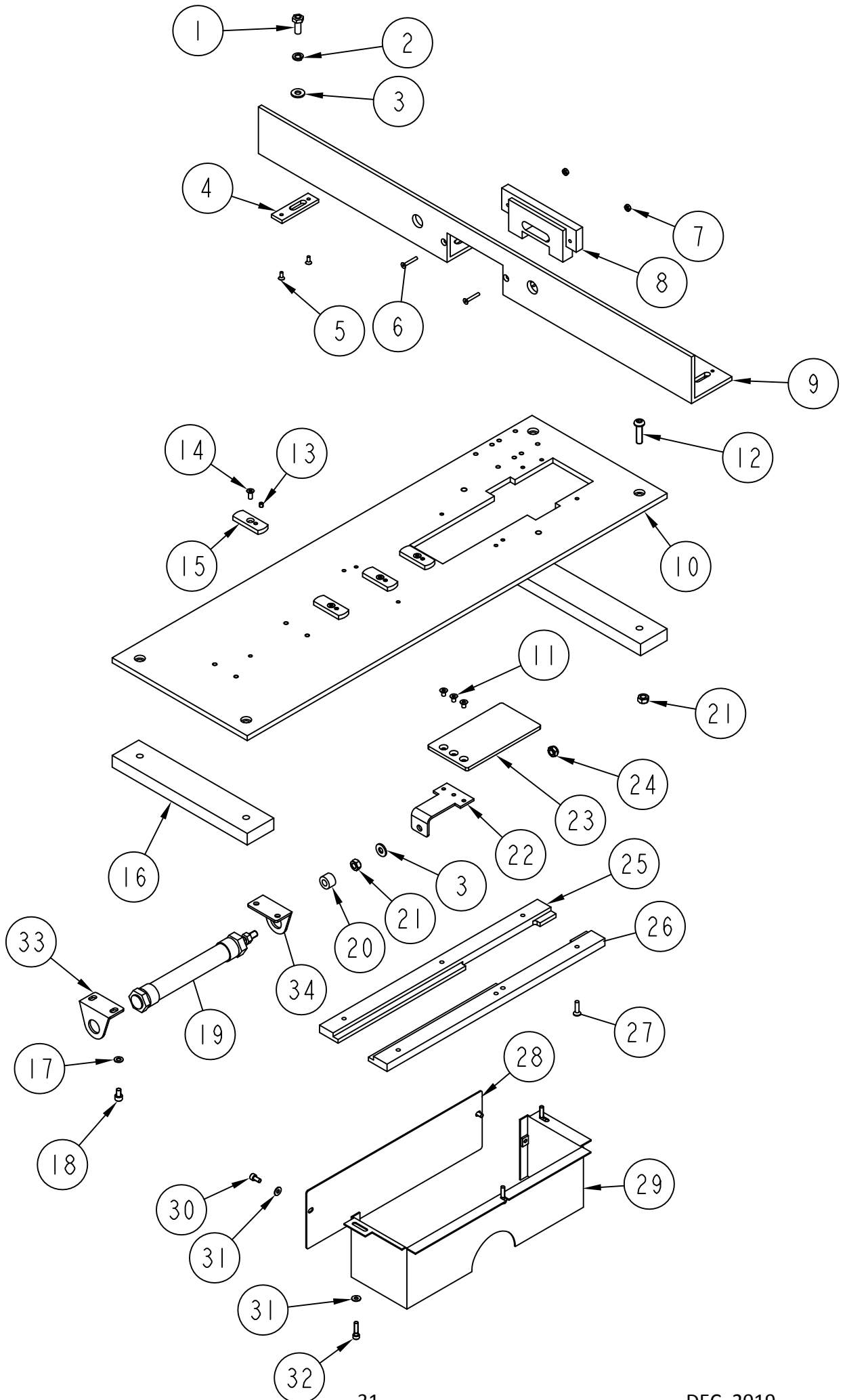


JEN-60 :SAFETY DOOR ASSEMBLY

JEN-60-06A			
NO	PARTS NO	DESCRIPTION	Q'TY
1	SB8X20	HEX BOLT M8-1.25 X 20	4
2	SDI8	SPRING WASHER 8MM	4
3	SD8x18x2	FLAT WASHER 8MM	5
4	JEN60-230	FENCE SPACER	4
5	SCC5X10	FLAT HD SCR M5-0.8×10	8
6	SCC5X25	FLAT HD SCR M5-0.8×25	2
7	SA5	HEX NUT M5	2
8	JEN60-130-32	Extra Fence -BUFFER PAD (32mm)	1
	JEN60-130-35	Extra Fence -BUFFER PAD (35mm)	1
	JEN60-130-38	Extra Fence -BUFFER PAD (38mm)	1
	JEN60-130-45	Extra Fence -BUFFER PAD (45mm)	1
	JEN60-130-51	Extra Fence -BUFFER PAD (51mm)	1
	JEN60-130-57	Extra Fence -BUFFER PAD (57mm)	1
9	JEN60-120	FENCE ANGLE BRACKET	1
10	JEN60-040	CENTRAL TABLE	1
11	SCC5X8	FLAT HD SCR M5-0.8×8	3
12	SCB8x35	Round socket head screw M8*35	4
13	SCA5x10	SET SCREW M5 X 10	4
14	SCC5X12	FLAT HD SCR M5-0.8×12	4
15	JEN60-260-32	ALIGNMENT BUTTON(32mm)	4
	JEN60-260-35	ALIGNMENT BUTTON(35mm)	4
	JEN60-260-38	ALIGNMENT BUTTON(38mm)	4
	JEN60-260-45	ALIGNMENT BUTTON(45mm)	4
	JEN60-260-51	ALIGNMENT BUTTON(51mm)	4
	JEN60-260-57	ALIGNMENT BUTTON(57mm)	4
16	JEN60-110	CENTRAL TABLE SPACER	2
17	SD6X13X1	FLAT WASHER 6MM	4
18	SC6x10	CAP SCREW M6-1 X 10	4
19	JEN60-450	φ20x100ST CYLINDER	1
20	JEN60-280	PU RING	1
21	SA8X6	HEX NUT M8	5
22	JEN60-290	SAFETY DOOR BRACKET	1
23	JEN60-300	SAFETY DOOR	1
24	SAD8	LOCK NUT M8	1
25	JEN60-250	LEFT-GUIDE FOR SAFETY DOOR	1
26	JEN60-240	RIGHT-GUIDE FOR SAFETY DOOR	1
27	SCC5X16	FLAT HD SCR M5-0.8×16	6
28	JEN60-530	CUTTER GUARD COVER	1

JEN-60 :SAFETY DOOR ASSEMBLY

JEN-60-06A			
29	JEN60-520	CUTTER GUARD FOR DUST HOOD	1
30	SC5X10	CAP SCREW M5-0.8 X10	2
31	SD5x12x1	FLAT WASHER 5MM	5
32	SC5X20	CAP SCREW M5-0.8 X20	3
33	JEN60-960	CYLINDER ANGLE BRACKET (OVAL)	1
34	JEN60-950	CYLINDER ANGLE BRACKET (ROUND)	1

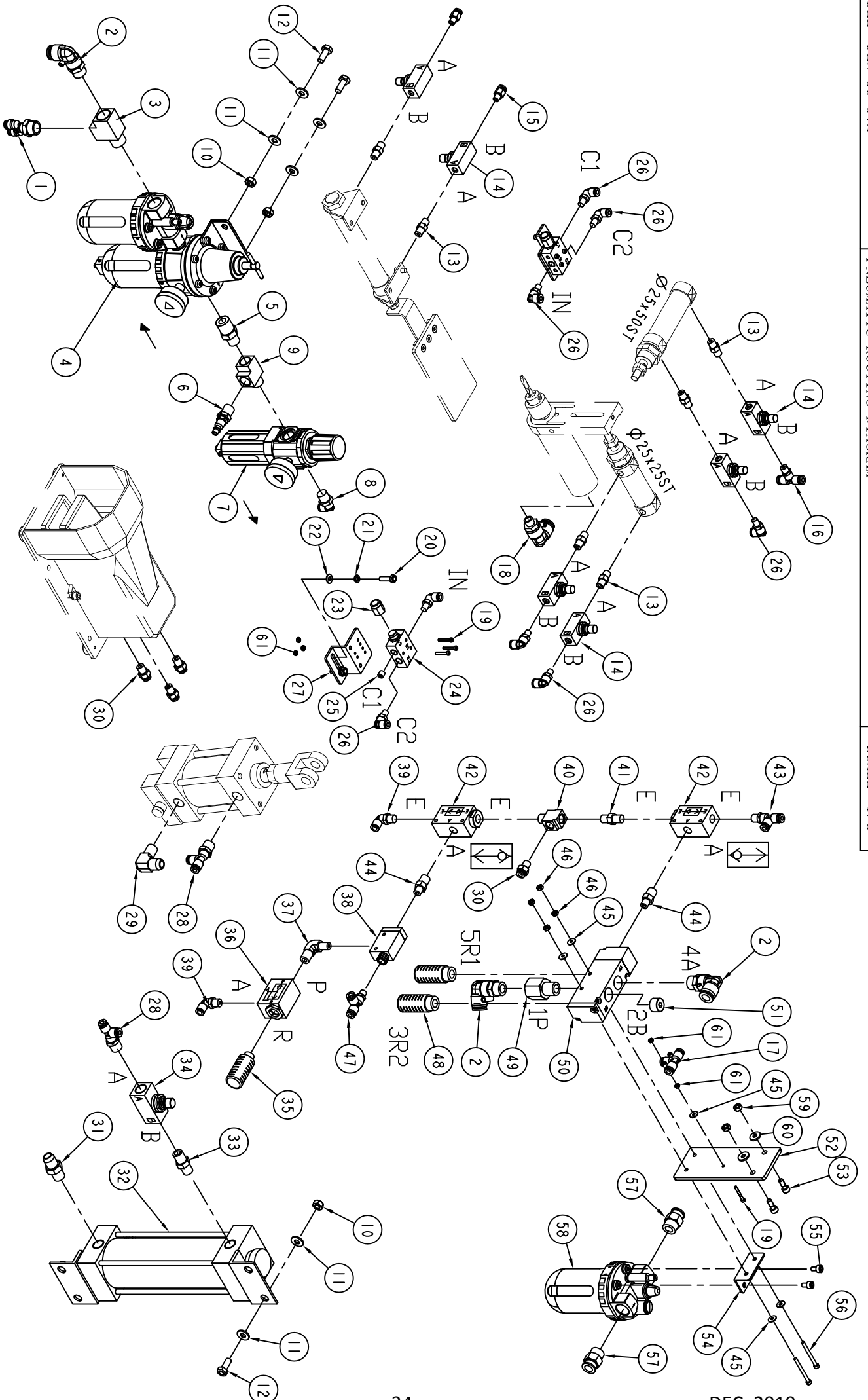


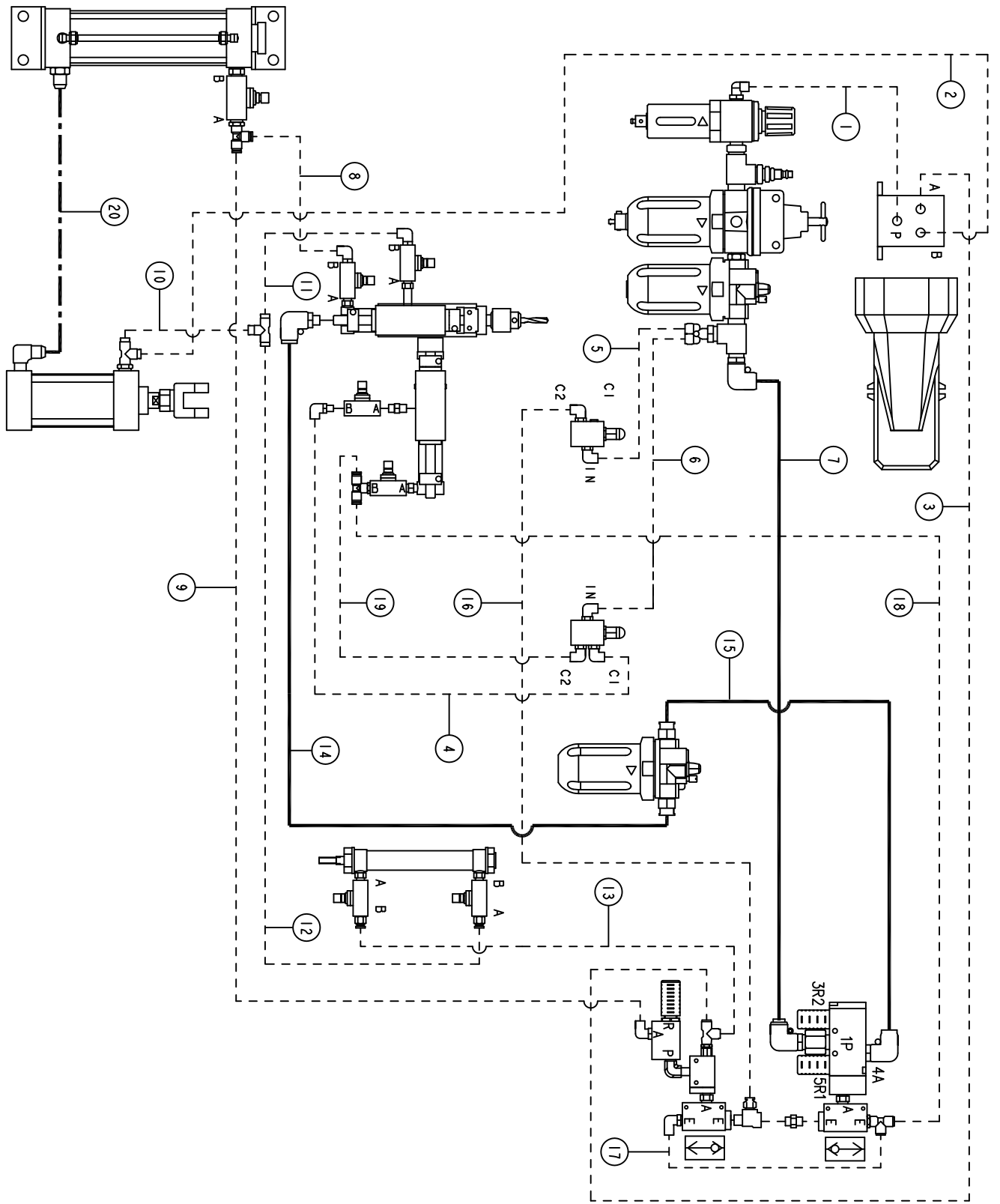
JEN-60 : PNEUMATIC ROUTING DIAGRAM

JEN-60-07A			
NO	PART NO	DESCRIPTION	Q'TY
1	JKPD6Y-04	QUCIK TEE Y SHAPED CONNECTOR	1
2	JKPL12-04	PUSH IN ELBOW	3
3	JNT04E04I04I	COPPER TEE CONNECTOR	1
4	JMACP400-15A	AIR SUPPLY UNIT MACP400-15A	1
5	JNEE04P03P	DOUBLE EXTERNAL CONNECTOR	1
6	JNT03E03I03I	COPPER TEE CONNECTOR	1
7	JKL03BC-11	FILTER REGULATOR -MAFR300-10A-3/8	1
8	JKPL6-03	PUSH IN ELBOW	1
9	CM-1/4-SI	QUICK CONNECTOR	1
10	SA8X6	HEX NUT M8	6
11	SD8x18x2	FLAT WASHER 8MM	13
12	SB8X20	HEX BOLT M8-1.25 X 20	6
13	JNEE01P01P	DOUBLE EXTERNAL CONNECTOR	6
14	JMSC200-6A	AIR VALVE	6
15	JKPC6-01	HEAD STRAIGHT CONNECTOR	2
16	JKPB6-01	QUCIK TEE T SHAPED CONNECTOR	1
17	JKPE6	QUCIK TEE T SHAPED CONNECTOR	1
18	JKPL12-02	PUSH IN ELBOW	1
19	SC3x25	CAP SCREW M3-0.5 X25	7
20	SB6x16	HEX BOLT M6-1.0 X 16	4
21	SDI6	SPRING WASHER 6MM	4
22	SD6x13x1	FLAT WASHER 6MM	8
23	34B	BALL TYPE SENSOR	2
24	MVHA-41P	MANUAL VALVE	2
25	SCD1/8	OIP TIP	1
26	JKPL6-01	PUSH IN ELBOW	8
27	JEN60-140	SENSOR SWITCH BASE	2
28	JKPD6T-03	QUCIK TEE T SHAPED CONNECTOR	2
29	JNEEL03P04H	DOUBLE EXTERNAL CONNECTOR	1
30	JKPC6-02	HEAD STRAIGHT CONNECTOR	4
31	JNEE03P04H	DOUBLE EXTERNAL CONNECTOR	1

JEN-60 : PNEUMATIC ROUTING DIAGRAM

JEN-60-07A			
NO	PART NO	DESCRIPTION	Q'TY
32	JEN60-510	AIR OIL CONVERSION CYLINDER	1
33	JNEE03P03P	DOUBLE EXTERNAL CONNECTOR	1
34	JMSC300-10A	AIR VALVE	1
35	JNMM03	PLASTIC SILENCER	1
36	JVGK02	QUICK EXHAUST VALVE	1
37	JNEEL02P01P	DOUBLE EXTERNAL CONNECTOR	1
38	JKCP9411	1/8 PRESSURE GUIDED CHECK VALVE	1
39	JKPL6-02	PUSH IN ELBOW	2
40	JNT02E02I02I	COPPER TEE CONNECTOR	1
41	JNEE02P02P	DOUBLE EXTERNAL CONNECTOR	1
42	MVAS-8A	SHUTTLE VALVE 1/4	2
43	JKPD6T-02	QUICK TEE T SHAPED CONNECTOR	1
44	JNEE02P01P	DOUBLE EXTERNAL CONNECTOR	2
45	SD4x12x1	FLAT WASHER 4MM	5
46	SA4X3.5	HEX NUT M4	4
47	JKPD6T-01	QUICK TEE T SHAPED CONNECTOR	1
48	JNMM04	PLASTIC SILENCER	2
49	JGG04PE04I	CONNECTOR	1
50	JMVAA4604A1G	SINGLE HEAD PNEUMATIC VALVE	1
51	SCD102	HEX OIL TIP	1
52	JEN60-150	AIR PRESSURE VALVE FIXING PLATE	1
53	SC6x20	CAP SCREW M6-1 X 20	2
54	JEN60-900	INJECTOR HOLDER	1
55	SC6x10	CAP SCREW M6-1 X 10	2
56	SC4x50	CAP SCREW M4-0.7 X50	2
57	JKPC12-04P	HEAD STRAIGHT CONNECTOR	2
58	JMAL400-15A-B	OIP TIP	1
59	SA6X5	HEX NUT M6-1	2
60	SD6x16x2	FLAT WASHER 6MM	2
61	SA3x2.6	HEX NUT M3	8





NO	LENGTH cm	TYPE
1	280	
2	196	
3	137	W HOSE ϕ 6mm
4	50	
5	175	
6	190	
7	142	W HOSE ϕ 12mm
8	148	
9	107	
10	105	
11	31	W HOSE ϕ 6mm
12	92	
13	100	
14	40	W HOSE ϕ 12mm
15	26	
16	64	
17	35	W HOSE ϕ 6mm
18	40	
19	38	
20	50	PG HOSE ϕ 1/2" (12.7mm)
21	150	NL HOSE ϕ 12mm

- - - - - W HOSE ϕ 6mm
 ————— W HOSE ϕ 12mm
 - - - - - PG HOSE ϕ 1/2" (12.7mm)

JEN 60 Drill Unit switch

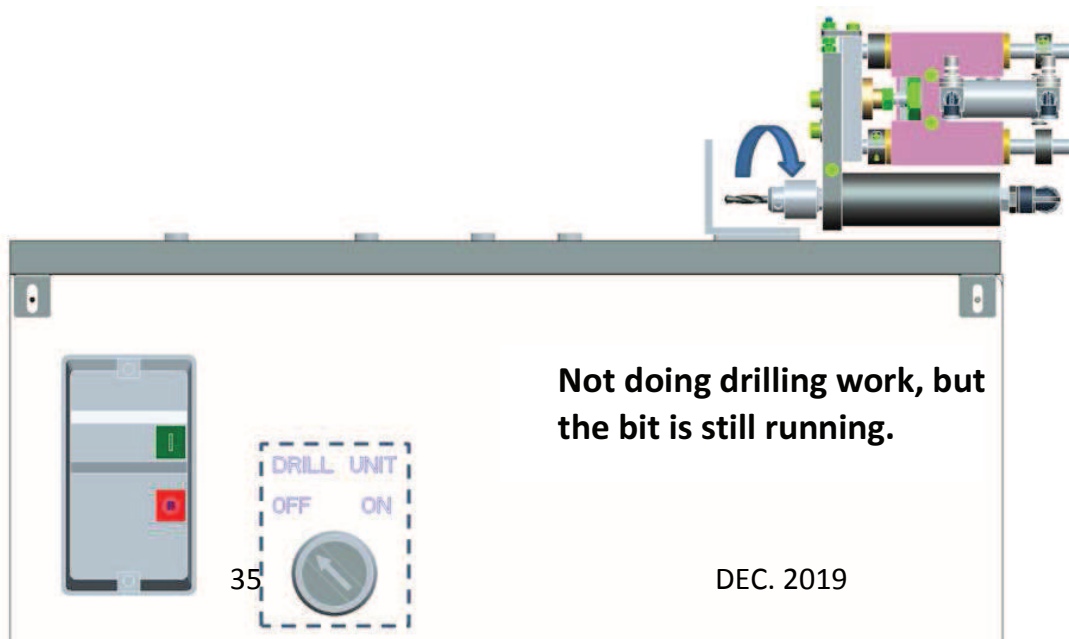
Switch Description:

This switch is used when is desired to avoid the bit from drilling.

Warning: The drill bit will be rotating at all times.
Warning: Keep your hands away from any moving / rotating bits.

Operate this machine with all the covers installed and use as directed in the manual to avoid any risk of injury

- 1) **Switch to “OFF” position:** The air drilling cylinder will be keep running but not doing the drilling work.



- 2) **Switch to “ON” position:** The air drill cylinder will move forward to do drilling work as your request position.

