



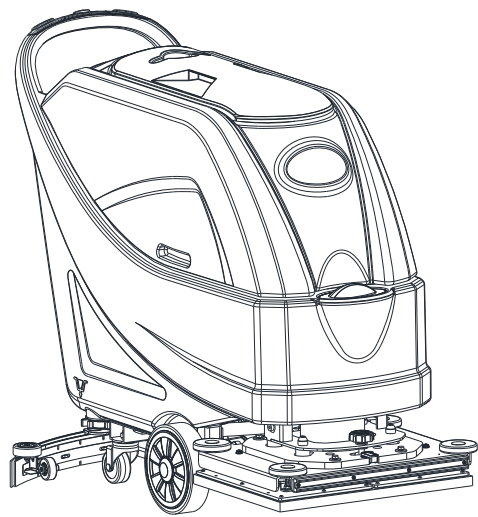
# AS5160 & AS5160T / AS516TO

## USER MANUAL



AS5160 & AS5160T

AS516TO



Model: 50000401 / 50000406 / 50000539



# TABLE OF CONTENTS

<b>ENGLISH</b>	<b>USER MANUAL.....</b>	<b>1-27</b>
<b>FRANÇAIS</b>	<b>MANUEL UTILISATEUR.....</b>	<b>28-54</b>
<b>ESPAÑOL</b>	<b>INSTRUCCIONES DE USO.....</b>	<b>55-81</b>

**TABLE OF CONTENTS**

**INTRODUCTION.....2**  
 GUIDE PURPOSE AND CONTENTS ..... 2  
 HOW TO KEEP THIS GUIDE ..... 2  
 DECLARATION OF CONFORMITY ..... 2  
 ACCESSORIES AND MAINTENANCE..... 2  
 CHANGE AND IMPROVEMENT..... 2  
 SCOPE OF APPLICATION..... 2  
 MACHINE IDENTIFICATION DATA..... 2  
 TRANSPORT AND UNPACKING..... 3

**SAFETY ..... 3**  
 VISIBLE SYMBOLS ON THE MACHINE ..... 3  
 SYMBOLS THAT APPEAR ON THE INSTRUCTION FOR USE MANUAL ..... 3  
 GENERAL SAFETY INSTRUCTION ..... 4

**MACHINE DESCRIPTION..... 6**  
 MACHINE STRUCTURE ..... 6  
 CONTROL PANEL..... 7  
 DISPLAY WINDOW OF CHARGER INDICATOR LIGHT ..... 7  
 TECHNICAL PARAMETERS ..... 8  
 WIRING DIAGRAM ..... 9

**OPERATING GUIDE..... 12**  
 BATTERY CHECK/SETTING ON A NEW MACHINE ..... 12  
 BATTERY INSTALLATION AND BATTERY TYPESETTING (WET OR GEL/ AGM) ..... 13  
 ACCORDING TO THE TYPE OF BATTERIES (WET OR GEL / AGM) SET THE MACHINE..... 14  
 BRUSH/PAD-HOLDER INSTALLATION AND UNINSTALLATION ..... 15  
 ADJUSTING THE BALANCE OF SQUEEGEE ..... 16  
 SOLUTION OR WASHING WATER TANK FILLING ..... 16  
 MACHINE START AND STOP..... 16  
 ADJUSTING THE LEVEL OF ORBITALDECK (ONLY FOR ORBITAL MACHINE)..... 17  
 MACHINE OPERATION (SCRUBBERING AND DRYING) ..... 17  
 TANK EMPTYING..... 18  
 AFTER USING THE MACHINE ..... 19  
 MACHINE LONG INACTIVITY..... 20  
 FIRST PERIOD OF USE ..... 20

**MAINTENANCE ..... 20**  
 SCHEDULED MAINTENANCE TABLE ..... 20  
 BATTERY CHARGING..... 21  
 BRUSH/PAD CLEANING ..... 22  
 SOLUTION FILTER CLEANING ..... 22  
 SQUEEGEE CLEANING ..... 23  
 SQUEEGEE BLADE CHECK AND REPLACEMENT ..... 24  
 TANK AND VACUUM GRID WITH FLOAT CLEANING, AND COVER GASKET CHECK ..... 25  
 MACHINE WORKING HOUR CHECK..... 26  
 FUSE CHECK/REPLACEMENT ..... 26  
 ACCESSORIES/OPTIONS..... 27

**TROUBLESHOOTING..... 27**

**SCRAPPING ..... 27**

**INTRODUCTION**



**CAUTION!**

**Some general and detailed machine information is not included in this guide. Please refer to Instruction for Use Manual on supplied CD-ROM reading by Adobe® Reader®.**



**NOTE**

**The numbers in brackets refer to the components shown in Machine Description chapter.**

**GUIDE PURPOSE AND CONTENTS**

The purpose of this Quick Start Guide is to provide the operator with all basic information to use the machine properly. For information about technical characteristics, operation, machine inactivity, spare parts and safety conditions etc., please refer to Instruction for Use manual on supplied CD-ROM.

Before performing any procedure on the machine, the operators and qualified technicians must read the Instruction for Use manual. Contact our company in case of doubts concerning the interpretation of the instructions or for any further information.

**HOW TO KEEP THIS GUIDE**

The Quick Start Guide must be kept near the machine, inside an adequate case, away from liquids and other substances that can cause any damage to it.

**DECLARATION OF CONFORMITY**

Declaration of Conformity is supplied with the machine and certifies machine conformity with the law in force.



**NOTE**

**The copies of the original declaration of conformity are provided together with the machine documentation.**

**ACCESSORIES AND MAINTENANCE**

All the necessary operation, maintenance and repair procedures must be made by qualified personnel, our company appointed repair center. ONLY original or approved spare parts and accessories can be used.

Contact our company customer service for any service or purchase of accessories or spare parts if necessary.

**CHANGE AND IMPROVEMENT**

We committed to continuous improvement of its products, the company reserves the right to the machine changes and improvements without informing in additional.

**SCOPE OF APPLICATION**

The scrubber applies to commercial and industrial use. It is suitable for cleaning smooth and solid floor, operating by a qualified personnel in safety circumstance. It is not suitable for outdoor use or carpet or rough floor cleaning.

**MACHINE IDENTIFICATION DATA**

The machine serial number and model name are marked on the serial label.

This information is useful. Use the following table to write down the machine identification data when requiring spare parts for the machine.

MACHINE MODEL.....
MACHINE SERIAL NUMBER.....

## TRANSPORT AND UNPACKING

When the carrier delivers the machine, make sure the packaging and machine are both whole and undamaged. If any damaged, make the carrier know the damage and before accepting the goods, reserve the right in compensation of the damage.

Follow the instructions on packing strictly when unpacking the machine.

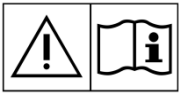
Check the package to ensure following items are included:

1. Technical documentations including Quick Start Guide manual, Instruction for Use Disk and on-board charger manual if on-board charger is equipped.
2. Charger cable if on-board charger is equipped.
3. Two fuses, the low power circuit fuse (5A) and the Brush release fuse (20A).

## SAFETY

The following symbols indicate potentially dangerous situations. Always read this information carefully and take all necessary precautions to safeguard people and property.

### VISIBLE SYMBOLS ON THE MACHINE



#### WARNING!

Read all the instructions carefully before performing any operation on the machine.



#### WARNING!

Do not wash the machine with direct or pressurized water jets.



#### WARNING!

Do not use the machine on slopes with a gradient exceeding that is defined in the specification.

### SYMBOLS THAT APPEAR ON THE INSTRUCTION FOR USE MANUAL



#### DANGER!

It indicates a dangerous situation with risk of death for the operator.



#### WARNING!

It indicates a potential risk of injury for people.



#### CAUTION!

It indicates a caution or a remark related to important or useful functions. Pay attention to the paragraphs marked by this symbol.



#### NOTE

It indicates a remark related to important or useful functions.



#### CONSULTATION

It indicates the necessity to refer to the Instruction for Use manual before performing any procedure.

## GENERAL SAFETY INSTRUCTION

Specific warnings and cautions to inform about potential damages to people and machine are shown below.



### DANGER!

- This machine must be operated by trained and authorized personnel according to guidance of the manual.
- Before performing any cleaning, maintenance, repair or replacement procedure, read all the instructions carefully, ensure to turn the machine OFF and disconnect the battery connector.
- Do not operate the machine near toxic, dangerous, flammable and/or explosive powders, liquids or vapour. This machine is not suitable for collecting dangerous powders.
- Do not wear jewels when working near electrical components.
- Do not work under the lifted machine without supporting it with safety stands.
- When using lead (WET) batteries, they may emit inflammable gas under normal use, must keep sparks, flames, smoking materials and radiating, illuminating and burning items away from the batteries.
- When charging lead (WET) batteries, they may emit hydrogen gas which may cause explosive. Must ensure the charging environment is well ventilated and away from naked flames.



### WARNING!

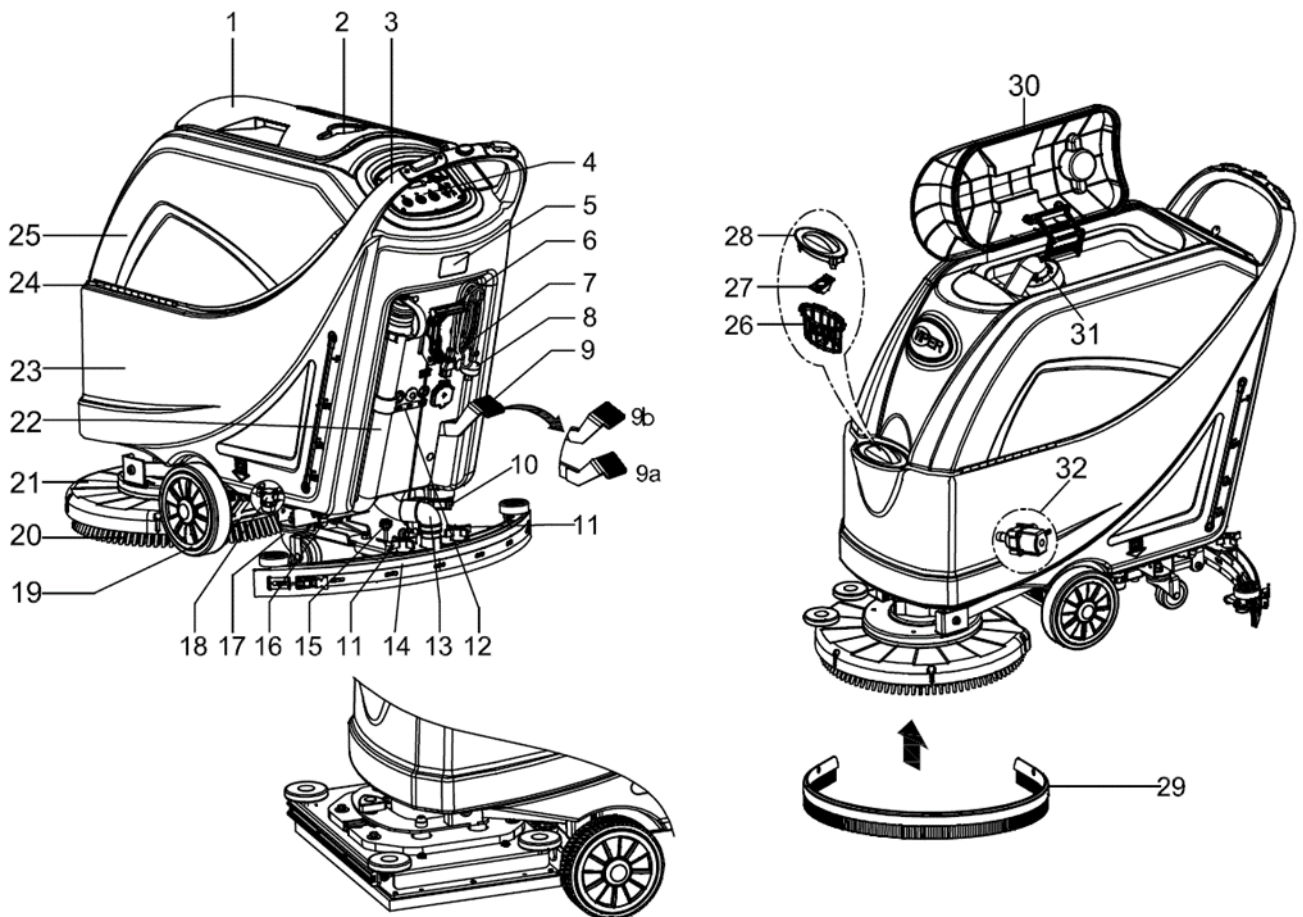
- Check the machine carefully before each use. Ensure that all the components have been well assembled before use. Or it may causes damages to people and properties.
- Before using the battery charger, ensure that the values of frequency and voltage indicated on the machine serial number label match those of mains.
- Never move the machine by pulling the battery charger cable. Do not let the cable through a closed door, or winding on sharp edges or corners. Do not run the machine on the battery charger cable. Keep the battery charger cable away from heated surfaces.  
Do not charge the batteries if the battery charger cable or the plug are damaged.
- To reduce the risk of fire, electric shock, or injury, make sure machine is off before leaving.
- Use or store the machine indoors in dry conditions, it is not allowed for outdoor use.
- The machine both storage and working temperature must be between 0 °C and +40 °C, the humidity of air must be between 30% - 95%.
- Do not use the machine on slopes with a gradient exceeding as specification show.
- When using and handling floor cleaning detergents, follow the instructions on the labels of the detergent bottles and wear suitable gloves and protections.
- Use brushes and pads supplied with the machine or defined in the manual. Using other brushes or pads could reduce safety.
- In case of machine malfunctions, ensure that these are not due to lack of maintenance. If necessary, request assistance from the authorized personnel or from an authorized Service Center.
- Take all necessary precautions to prevent hair, jewels and loose clothes from being caught by the machine moving parts.
- Do not use the machine in particularly dusty areas.  
Do not wash the machine with direct or pressured water jets, or with corrosive substances.
- Do not bump into shelves or scaffoldings, especially where there is a risk of falling objects.

- **Do not lean liquid containers on the machine, use the relevant can holder.**
- **To avoid damaging the floor, do not allow the brush/pad to operate while the machine is stationary.**
- **In case of fire, use a dry powder fire extinguisher. Do not use liquid fire extinguishers.**
- **Do not remove or modify the machine stickers.**
- **Do not tamper with the machine safety guards and follow the ordinary maintenance instructions scrupulously.**
- **Pay attention during machine transportation when temperature is below freezing point. The water in the recovery tank and in the hoses could freeze and cause seriously damage to the machine.**
- **If spare parts need be replaced, order ORIGINAL spare parts from an Authorized Dealers or Retailers.**
- **Return the machine to the Service Center if it doesn't work as usual or it is in condition such as damaged, placed outdoors, dropped into water.**
- **To ensure machine proper and safe operation, the scheduled maintenance shown in the relevant chapter of this Manual, must be performed by the authorized personnel or an authorized Service Center.**
- **The machine must be properly disposed of, because the presence of toxic-harmful materials (batteries, etc.), which are subject to standards that require disposal in special centers (see Scrapping chapter).**
- **This machine as a cleaning tool only, not for any other purpose use.**
- **Always keep the openings free from dust, hairs and any other foreign material which could reduce the air flow. Do not use the machine if the openings are clogged.**
- **Use the machine only where a proper lighting is provided.**
- **This machine is not intended for use by persons with reduced physical, sensory or mental capabilities, or lack of experience and knowledge, unless they have been given supervision or instruction concerning use of the machine by a person responsible for their safety.**
- **Close attention is necessary when used near children.**
- **Children should be supervised to ensure that they do not play with the machine.**
- **While using this machine, take care not to cause damage to people or objects.**

**MACHINE DESCRIPTION**

**MACHINE STRUCTURE (as shown in Figure 1)**

- |  |   |
|--|---|
| <ol style="list-style-type: none"> <li>1. Recovery tank lid</li> <li>2. Can holder</li> <li>3. Handlebar</li> <li>4. Control panel</li> <li>5. Serial number plate/technical data</li> <li>6. Squeegee lifting/lowering lever</li> <li>7. Power supply cable holder</li> <li>8. Power cable</li> <li>9. Deck lifting/lowering pedal (only for disc machine)             <ol style="list-style-type: none"> <li>a) Pedal position when deck is lifted</li> <li>b) Pedal position when deck is lowered</li> </ol> </li> <li>10. Outlet cover</li> <li>11. Squeegee knobs</li> <li>12. Reset label</li> <li>13. Squeegee vacuum hose</li> <li>14. Squeegee</li> <li>15. Squeegee balance adjusting knob</li> <li>16. PA Connector</li> <li>17. Rear steering wheels</li> <li>18. Solution filter</li> </ol> | <ol style="list-style-type: none"> <li>19. Front wheels on fixed axle (A).<br/>Driving wheels (B)</li> <li>20. Brush/pad-holder</li> <li>21. Brush/pad-holder deck</li> <li>22. Recovery water drain hose</li> <li>23. Solution tank</li> <li>24. Hinge</li> <li>25. Recovery tank</li> <li>26. Filter support</li> <li>27. Filler hose holder</li> <li>28. Filter cover</li> <li>29. Splash guard bristle 510mm</li> <li>30. Tank cover gasket</li> <li>31. Float ball filter</li> <li>32. Solenoid valve</li> </ol> <p>(*): Optional<br/>             (A): Only for machine without traction<br/>             (B): Only for machine with traction</p> |
|--|---|



**Figure 1**



**CONTROL PANEL (as shown in Figure 2)**

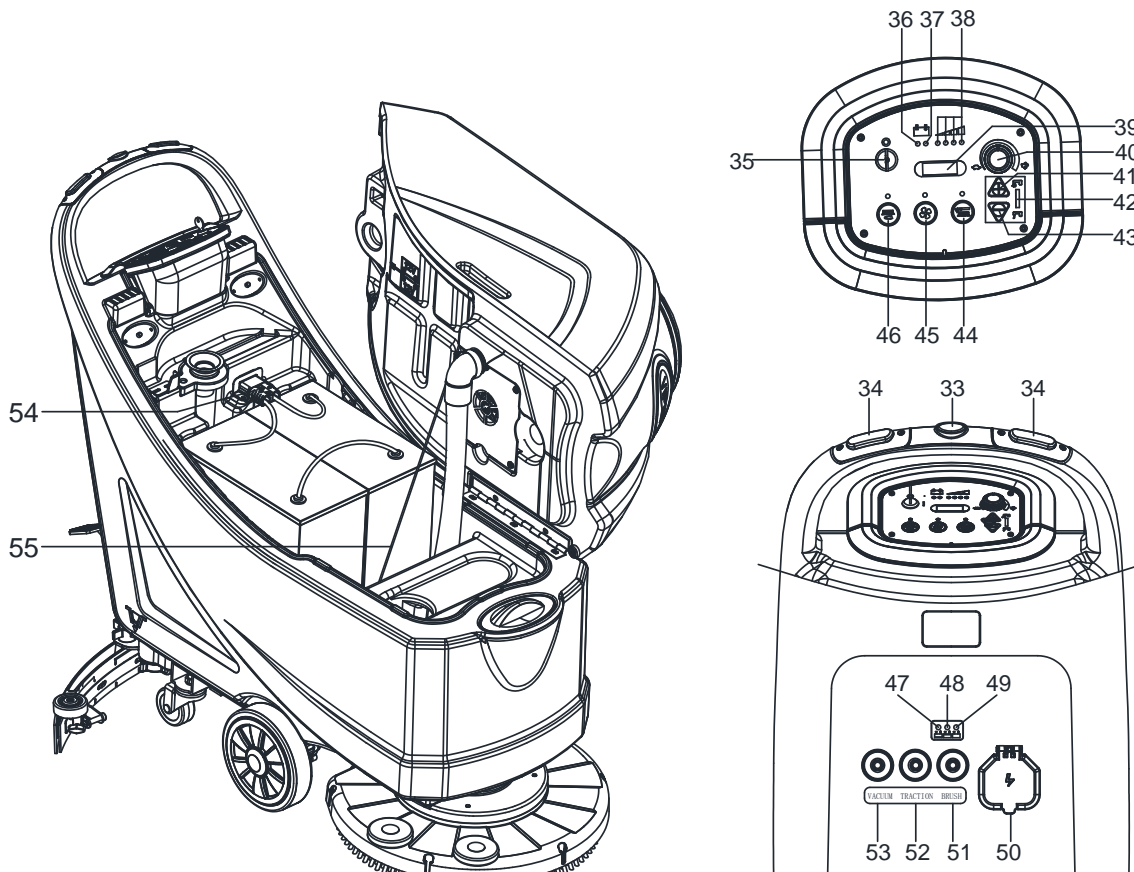
- 33. Machine backward switch (B)
- 34. Safe switch
- 35. Ignition key (0 - I)
- 36. Discharged battery warning light (red)
- 37. Semi-discharged battery warning light (yellow)
- 38. Charged battery warning light (green)
- 39. Hour meter
- 40. Speed adjuster (B)
- 41. Flow increase switch
- 42. Solution flow indicator
- 43. Flow decrease switch
- 44. Brush/pad-holder release switch (only for disc machine)  
Extra pressure active (only for orbital machine)
- 45. Vacuum system switch
- 46. Brush/pad-holder and vacuum system switch (only for disc machine)  
Pad deck moving up/down and Brush/pad-holder and vacuum system switch (only for orbital machine)
- 47. Charging red LED
- 48. Charging yellow LED

- 49. Charging green LED
- 50. Security cover of charging jack
- 51. Overload protector of brush
- 52. Overload protector of traction (B)
- 53. Overload protector of vacuum
- 54. Battery connector (red).
- 55. Tank safety cable

(\*): Optional

(A): Only for machine without traction

(B): Only for machine with traction



**Figure 2**

**DISPLAY WINDOW OF CHARGER INDICATON LIGHT (as shown in Figure 2)**

1. At the beginning of charging, the red LED (47) of charger normally on. It is the first stage of charging.
2. After charging some time, the red LED (47) turns off, the yellow LED (48) turns on, this is the second stage of charging.
3. After charging finish, the yellow LED (48) off, the green LED (49) turns on to indicate that the battery is fully charged.



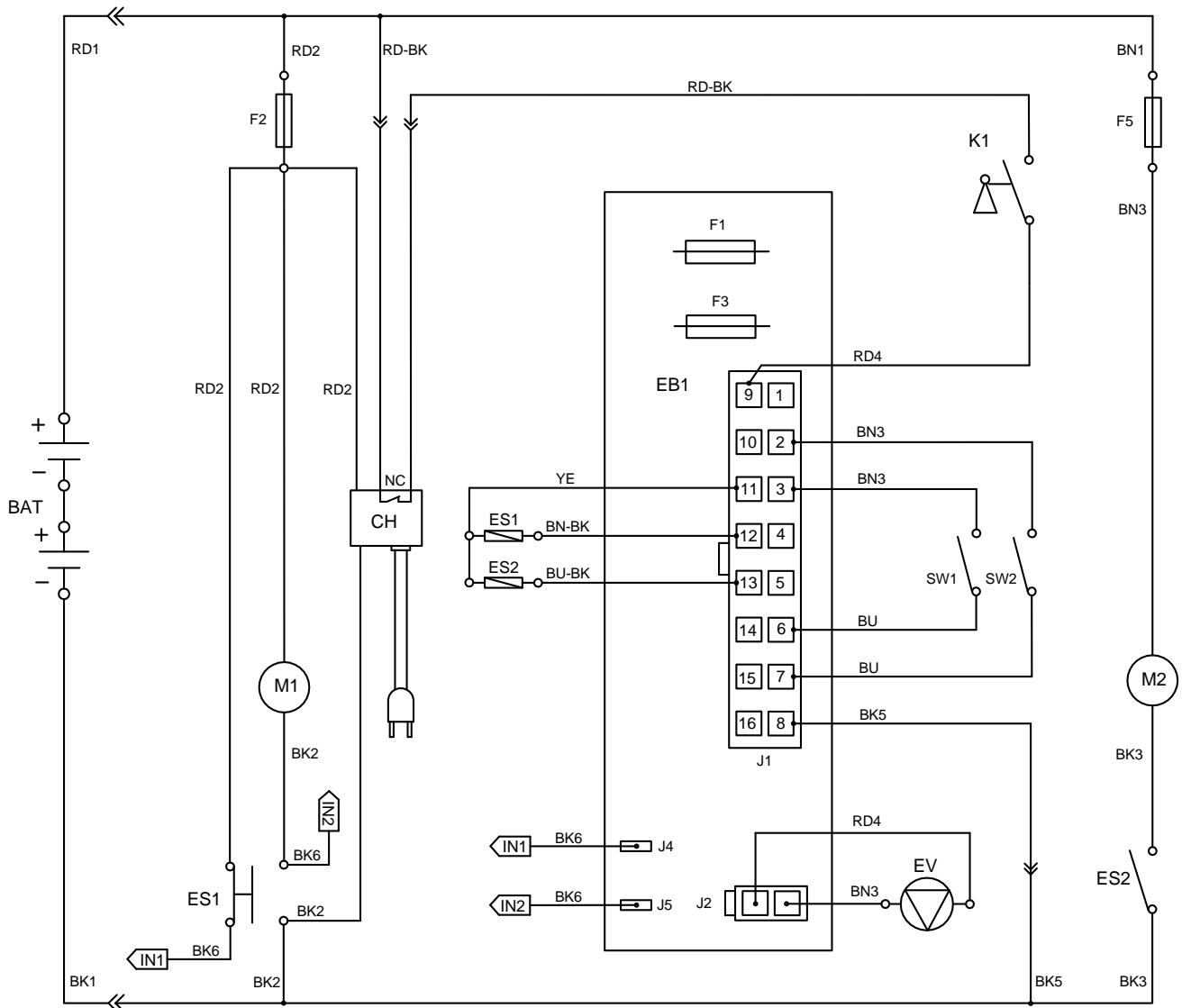
**NOTE**

When charging, if the yellow LED (48) of charger is on, it may be caused by: Battery and charger does not match, battery is not connected well, or output is short-circuited.  
The red LED of charger flashing may be caused by charger internal short circuit.

**TECHNICAL PARAMETERS**

Parameter Type	Units	Model		
		AS5160	AS5160T	AS5160TO
Packing dimensions (L X W X H)	mm/Inches	(1370 x 600 x 1220 mm) / (54 x 24 x 48 Inches)		
Machine Height	mm/Inches	1000 mm / 39.4 Inches		
Machine Length	mm/Inches	1310 mm / 51.6 Inches		
Machine Width (without squeegee)	mm/Inches	550 mm / 21.7 Inches		
Machine weight with empty tanks (without batteries)	Kg/Lbs.	85 Kg / 187 Lbs.	93 Kg/205 Lbs.	120 Kg/264 Lbs.
Gross Vehicle Weight (GVW)	Kg/Lbs.	214.8 Kg / 473Lbs.	222.8 Kg / 490 Lbs.	240 Kg / 528 Lbs.
Shipping Weight	Kg/Lbs.	115 Kg / 253 Lbs.	123 Kg / 271 Lbs.	150 Kg / 330 Lbs.
Solution tank capacity	L / Gal	61 L / 16 Gal.		
Recovery tank capacity	L / Gal	61 L / 16 Gal.		
Vacuum motor power	Watt / H.P.	350 W / 0.47 H.P.		
Vacuum capacity	mm/In of H2O	1200 mm / 47.2 In of H2O		
Climbing capacity (max)	% grade	2%		
Front wheel diameter	mm/Inches	200 mm / 8 Inches		
Rear wheel diameter	mm/Inches	76 mm / 3 Inches		
Sound level	dB (A)	69 +/- 3 dB (A)		
Solution Flow (max) per setting	L / Gal per minute	(0.7/1.2/1.7/2.2) Liters (0.2/0.3/0.45/0.6) Gallons		
Working width	mm/Inches	510 mm / 20 Inches		
Squeegee width	mm/Inches	790 mm / 31.1 Inches		
Brush/Pad diameter	mm/Inches	510 mm / 20 Inches	510 x 360 mm / 20 x 14 Inches	
Brush motor power	Watt / H.P.	450 Watt / 0.6 H.P		750 Watt / 1.0 H.P.
Brush speed	RPM	150		2200
Brush/Pad pressure (max)	Kg/Lbs.	27 Kg / 59.4 Lbs.	23 Kg / 50.6 Lbs.	40 - 50 Kg / 88 - 110 Lbs.
Drive motor Power	Watt / H.P.	N/A	150 W / 0.2 H.P.	250 W / 0.33 H.P.
Working Speed	Km / Miles per hour	N/A	0 - 4.0 Km / 0 - 2.5 Miles per hour	
Forward speed	Km / Miles per hour	N/A	0 - 4.0 Km / 0 - 2.5 Miles per hour	
Reverse speed	Km / Miles per hour	N/A	0 - 2.0 Km / 0 - 1.25 miles per hour	
Handle Vibration Level (max)	m/S2	2.5		
Voltage	DC	24 Volts		
Batteries	Amp/hour	105/130 WET 105/140 AGM Ah		
On-Board Battery Charger	Volts/Amps	24 Volt/10 Amp		24 Volt/13 Amp
Battery Compartment Size (L x W x H)	mm/Inches	(350 x 350 x 300) mm / 13.8 x 13.8 x 11.8) Inches		

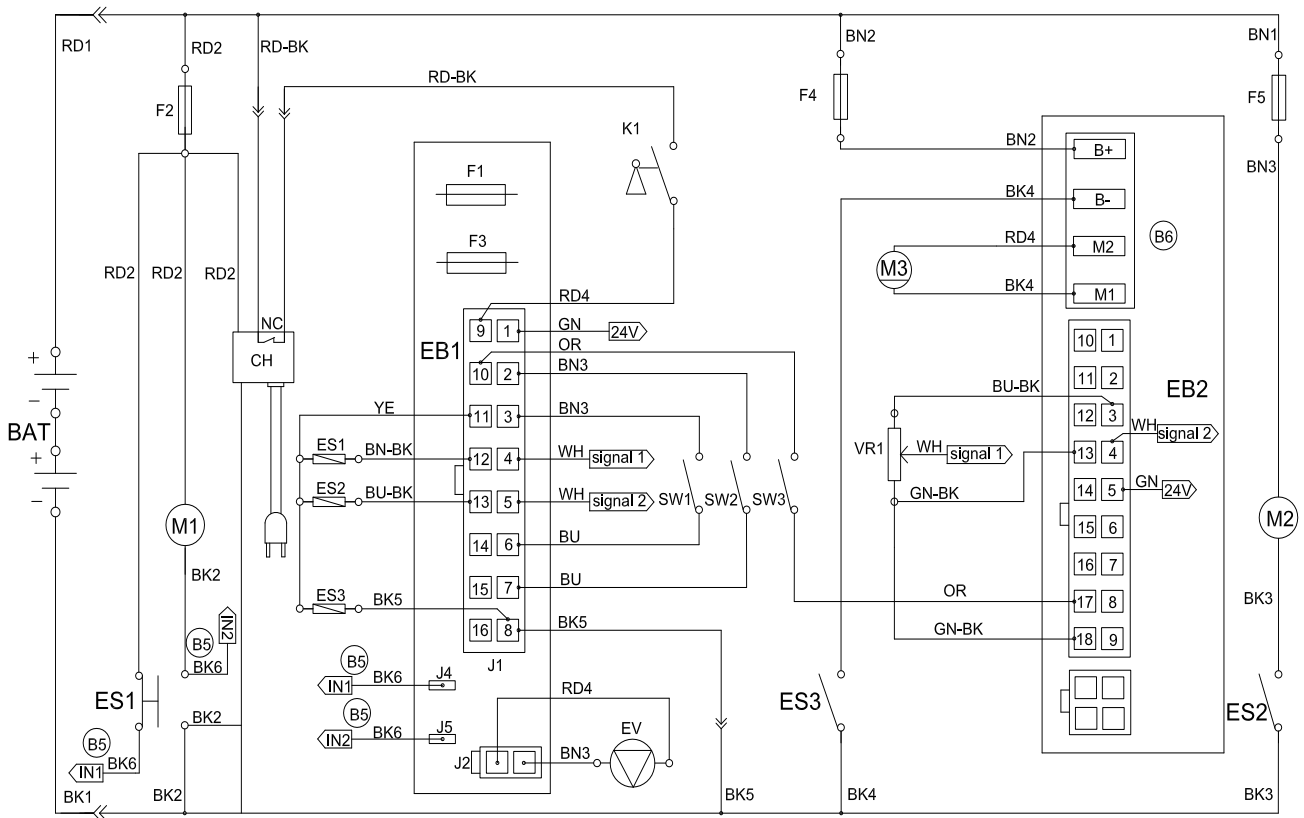
WIRING DIAGRAM (ONLY FOR DISC MACHINE WITHOUT TRACTION)



COMPONENTS	
BAT	24V BATTERIES
CH	BATTERY CHARGER
EB1	CONTROL PANEL BOARD
ES1	ELECTROMAGNETIC SWITCH 24V (BRUSH MOTOR)
ES2	RELAY 24V (VACUUM MOTOR)
F1	LOW POWER CIRCUIT FUSE
F2	CIRCUIT BREAKER (BRUSH MOTOR)
F3	BRUSH RELEASE FUSE
F5	CIRCUIT BREAKER (VACUUM MOTOR)
K1	KEY SWITCH
M1	BRUSH MOTOR
M2	VACUUM MOTOR
EV	SOLENOID VALVE
SW1	SAFETY SWITCH (BRUSH)
SW2	SAFETY SWITCH (BRUSH)

GAUGE	
RD1	RED/6AWG
RD2	RED/10AWG
RD4	RED/20AWG
BK1	BLACK/6AWG
BK2	BLACK/10AWG
BK3	BLACK/12AWG
BK5	BLACK/20AWG
BK6	BLACK/16AWG
RD-BK	RED-BLACK/20AWG
BN1	BROWN/12AWG
BN3	BROWN/20AWG
BN-BK	BROWN-BLACK/20AWG
BU	BLUE/20AWG
BU-BK	BLUE-BLACK/20AWG
YE	YELLOW/20AWG
WH	WHITE/20AWG

WIRING DIAGRAM (ONLY FOR DISC MACHINE WITH TRACTION)



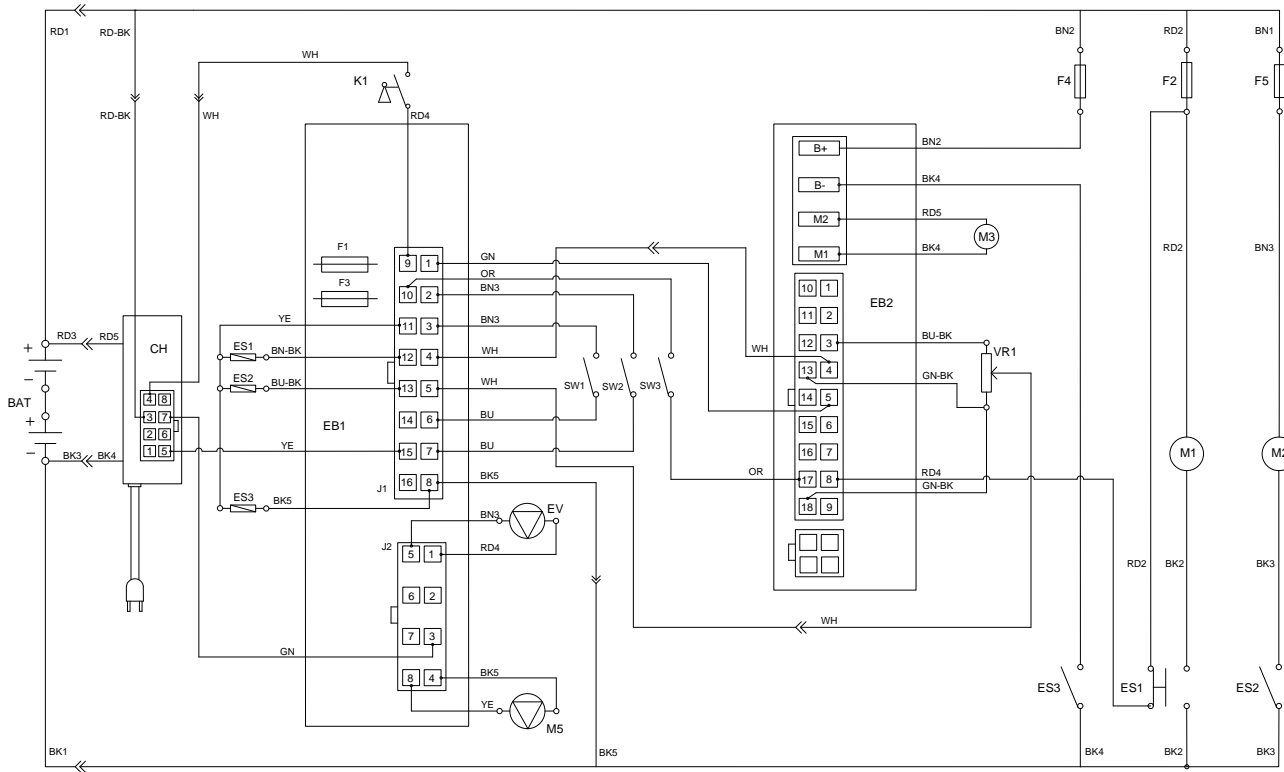
COMPONENTS

BAT	24V BATTERIES
CH	BATTERY CHARGER
EB1	CONTROL PANEL BOARD
EB2	ELECTRONIC BOARD (TRACTION SYSTEM)
ES1	ELECTROMAGNETIC SWITCH 24V (BRUSH MOTOR)
ES2	RELAY 24V (VACUUM MOTOR)
ES3	RELAY 24V (TRACTION SYSTEM)
F1	LOW POWER CIRCUIT FUSE
F2	CIRCUIT BREAKER (BRUSH MOTOR)
F3	BRUSH RELEASE FUSE
F4	CIRCUIT BREAKER (TRACTION SYSTEM)
F5	CIRCUIT BREAKER (VACUUM MOTOR)
K1	KEY SWITCH
M1	BRUSH MOTOR
M2	VACUUM MOTOR
M3	DRIVE MOTOR
EV	SOLENOID VALVE
SW1	SAFETY SWITCH (BRUSH/TRACTION)
SW2	SAFETY SWITCH (BRUSH/TRACTION)
SW3	REVERSING SWITCH
VR1	SPEED POTENTIOMETER

GAUGE

RD1	RED/6AWG
RD2	RED/10AWG
RD4	RED/20AWG
BK1	BLACK/6AWG
BK2	BLACK/10AWG
BK3	BLACK/12AWG
BK4	BLACK/14AWG
BK5	BLACK/20AWG
BK6	BLACK/16AWG
RD-BK	RED-BLACK/20AWG
GN	GREEN/20AWG
GN-BK	GREEN-BLACK/20AWG
BN1	BROWN/12AWG
BN2	BROWN/14AWG
BN3	BROWN/20AWG
BN-BK	BROWN-BLACK/20AWG
BU	BLUE/20AWG
BU-BK	BLUE-BLACK/20AWG
OR	ORANGE/20AWG
YE	YELLOW/20AWG
WH	WHITE/20AWG

WIRING DIAGRAM (ONLY FOR ORBITAL MACHINE)



COMPONENTS		
Key	CODE	Description
BAT	N/A	24V BATTERIES
CH	VS10262	BATTERY CHARGER
EB1	VS13201	CONTROL PANEL BOARD
EB2	VS13215	ELECTRONIC BOARD (TRACTION SYSTEM)
ES1	9095127000	ELECTROMAGNETIC SWITCH 24V (BRUSH MOTOR)
ES2	VS10201	RELAY 24V (VACUUM MOTOR)
ES3	VS10201	RELAY 24V (TRACTION SYSTEM)
F1	VS13208	LOW POWER CIRCUIT FUSE
F2	ZD48320	CIRCUIT BREAKER (BRUSH MOTOR)
F3	VS13208	BRUSH LIFT MOTOR FUSE
F4	VF99010C	CIRCUIT BREAKER (TRACTION SYSTEM)
F5	ZD48320	CIRCUIT BREAKER (VACUUM MOTOR)
K1	9100001354	KEY SWITCH
M1	VS10702	BRUSH MOTOR
M2	VF90520	VACUUM MOTOR
M3	VS11702	DRIVE MOTOR
EV	VF90282	SOLENOID VALVE
N/A	N/A	N/A
M5	VS10703	BRUSH LIFT MOTOR
SW1	VS10202	SAFETY SWITCH (BRUSH/TRACTION)
SW2	VS10202	SAFETY SWITCH (BRUSH/TRACTION)
SW3	VS10202	REVERSING SWITCH
VR1	VS10213	SPEED POTENTIOMETER

GAUGE	
RD1	RED/6AWG
RD2	RED/10AWG
RD3	RED/12AWG
RD4	RED/20AWG
RD5	RED/14AWG
BK1	BLACK/6AWG
BK2	BLACK/10AWG
BK3	BLACK/12AWG
BK4	BLACK/14AWG
BK5	BLACK/20AWG
BK6	BLACK/16AWG
RD-BK	RED-BLACK/20AWG
GN	GREEN/20AWG
GN-BK	GREEN-BLACK/20AWG
BN1	BROWN/12AWG
BN2	BROWN/14AWG
BN3	BROWN/20AWG
BN-BK	BROWN-BLACK/20AWG
BU	BLUE/20AWG
BU-BK	BLUE-BLACK/20AWG
OR	ORANGE/20AWG
YE	YELLOW/20AWG
WH	WHITE/20AWG

## OPERATING GUIDE

**WARNING!**

On some points of the machine there are some adhesive plates indicating:

- DANGER!
- WARNING!
- CAUTION!
- CONSULTATION

While reading this Manual, the operator must pay particular attention to the symbols shown on the plates. Do not cover these plates for any reason and immediately replace them if damaged.

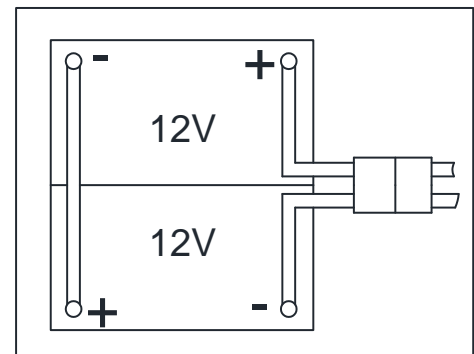
## BATTERY CHECK/SETTING ON A NEW MACHINE

**WARNING!**

The electric components of the machine can be seriously damaged if the batteries are either improperly installed or connected. The batteries must be installed by qualified personnel only. Set the function electronic board and the built-in battery charger according to the type of batteries used (WET or GEL/AGM batteries). Check the batteries for damage before installation. Disconnect the battery connector and the battery charger plug. Handle the batteries with great care. Install the battery terminal protection caps supplied with the machine.

**NOTE**

The machine requires two 12 V batteries, connected according to the diagram (Figure 3).



**Figure 3**

The machine can be supplied in one of the following modes:

**A) Batteries (WET or GEL/ AGM) already installed and charged**

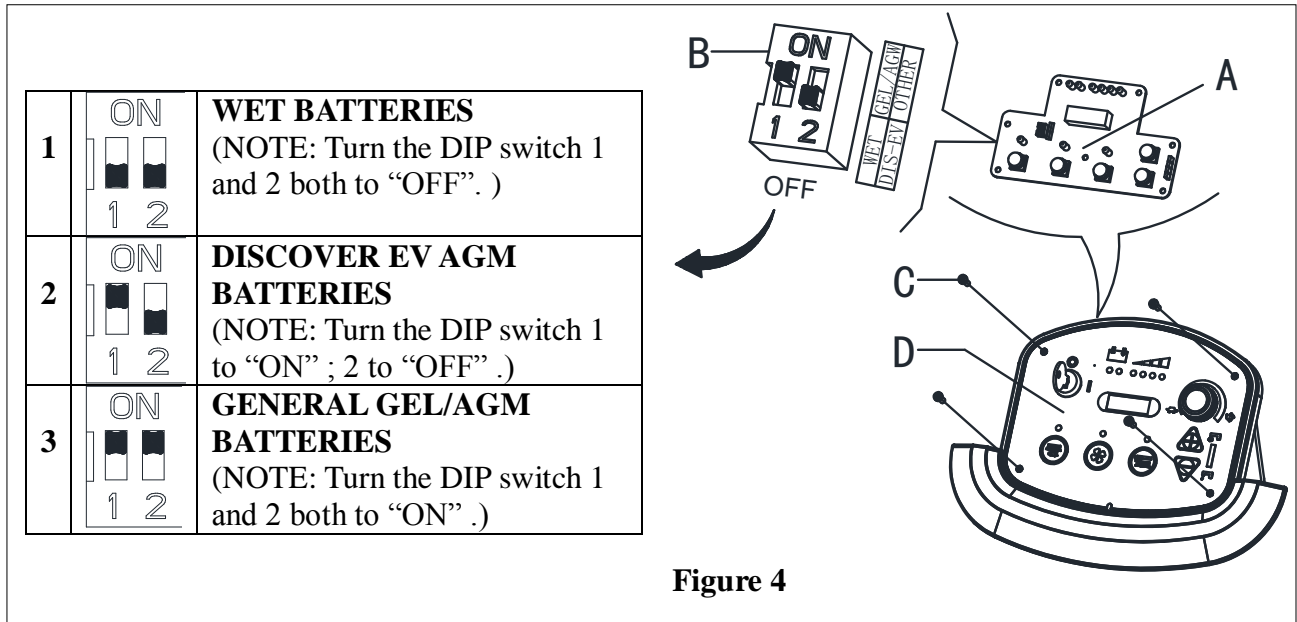
1. Check that the batteries are connected to the machine with the connector (54).
2. Insert the ignition key (35) and turn it to "I". If the green warning light (38) turns on, the batteries are fully charged. If the yellow (37) or red warning light (36) turns on, the batteries must be charged (see the procedure in Maintenance chapter).

**B) Without batteries**

1. Buy appropriate batteries (see the Technical Data paragraph).
2. For battery choice and installation, apply to qualified battery Retailers.
3. Set the machine and the battery charger according to the type of batteries (WET or GEL/ AGM), as shown in the next paragraph.

**BATTERY INSTALLATION AND BATTERY TYPESETTING (WET OR GEL/ AGM)**

According to the type of batteries (WET or GEL/AGM), set the machine and electronic board of the battery charger as follows: **(only for disc machine)**



**NOTE**

When install new batteries please refer to Figure 4 to adjust the DIP switches. Otherwise the batteries may be damaged.

**Machine setting (only for disc machine)**

1. Turn the ignition key (35) to “I” and in the very first seconds of machine operation pay attention to the following:
  - If the first green warning light (38) is flashing, the machine is set to GEL/AGM.
  - If the yellow warning light (37) is flashing, the machine is set to Discover EV AGM.
  - If the red warning light (36) is flashing, the machine is set to WET.
2. If the setting need to be changed, perform the following procedure.
3. The factory setting is for WET batteries.  
If the setting correspond to the battery installation, go to step6 directly. Otherwise, follow next steps 4~5.
4. Remove the screws on control panel (C, Figure 4), then turn over the PCB (A Figure 4) to find the DIP switch (B, Figure 4) for setting battery type (WET or Discover EV AGM or GEL/AGM), (Refer to 1 or 2 or 3).
5. If the setting complete to the battery option. Install the screws on control panel.

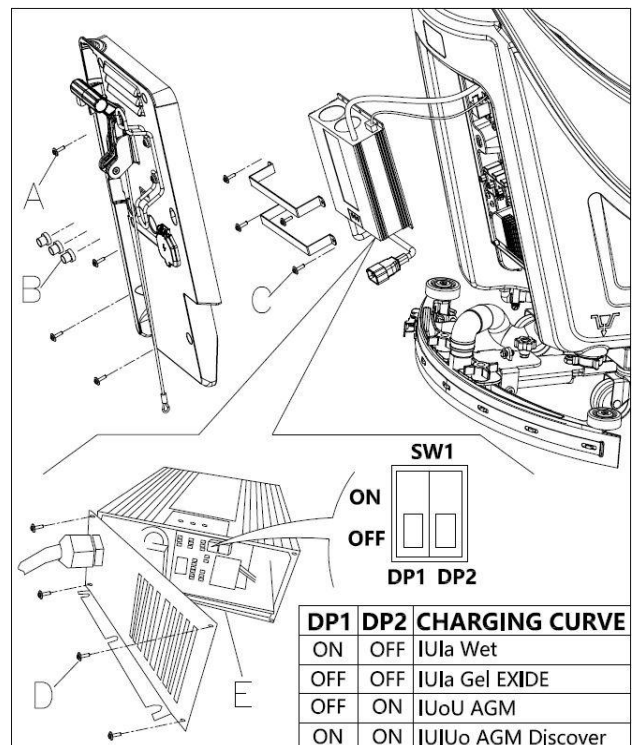
**Battery charging (only for disc machine)**

6. Charge the batteries. (See procedures in maintenance chapter).



**CAUTION!**

Cut off all the power of the machine before perform the following procedure!



**Figure 4.1**

**Battery charger setting (for disc machines with on-board battery charger)**

7. Remove the screws (A, B, C, D, Figure 4.1).
8. Open the charger and find the sw1 (E, Figure 4.1).
9. Set the switches as the table of (Figure 4.1).
10. Install the screws (A, B, C, D, Figure 4.1) after setting complete.

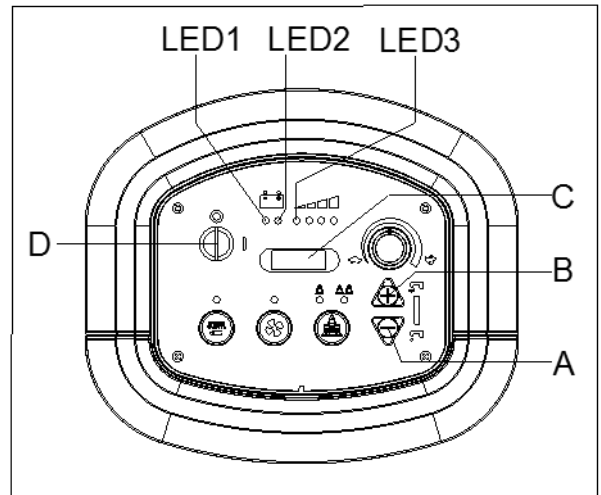
**ACCORDING TO THE TYPE OF BATTERIES (WET OR GEL / AGM), SET THE MACHINE AS FOLLOWS: (only for orbital machine)**



**NOTE**

Regarding the factory setting, learn the battery type from boot time display according to above table

1. Press both the buttons (A, Figure. 4) and (B) at the same time, Insert the ignition key (D) and turn on the power, after 0.5 second, enter battery setting mode. LED display during setting (C), Release the buttons.
2. The mode can be shift from 0 to 5 by pressing button (B), or shift from 5 to 0 by pressing button (A). After the battery mode setting is completed, turn off the power (D) and the new setting of battery mode can be saved automatically.
3. The battery type setting is completed.



**Figure 4.2**

Mode	Battery type/Battery manufacturer	Battery charging curve	LED display during setting (C, Figure. 4.2)	Boot time display
0	WET	General WET curve	WET 0	LED1 blink twice
1	GEL/AGM	General GEL/AGM curve	AGM 1	LED2 blink twice
2	DISCOVER	DISCOVER	d 15 2	LED3 blink twice
3	OPTIMA	OPTIMA	OPT 3	Both LED1 and LED2 blink twice
4	EXIDE	EXIDE	EXI 4	Both LED1 and LED3 blink twice
5	FULLRIVER	FULLRIVER	FUL 5	Both LED2 and LED3 blink twice



**Battery installation**

1. Open the recovery tank cover (1) and check that the recovery tank (25) is empty; otherwise empty it with the drain hose. (22)
2. Close the recovery tank cover (1).
3. Overturn the recovery tank (25) carefully.
4. The machine is supplied with cables suitable to install 2X12V batteries. Carefully put the batteries into the compartment, then install them correctly.
5. Route and install the battery cable as shown in (Figure 3), then carefully tighten the nut on each battery terminal.
6. Place the protection cap on each terminal, then connect the battery connector (54).
7. Carefully lower the recovery tank (25).

**BRUSH/PAD-HOLDER INSTALLATION AND UNINSTALLATION (only for disc machine)**



**NOTE**

Install either the brush (A, Figure 5) or pad-holder (B and C, Figure 5) according to the type of floor to be cleaned.

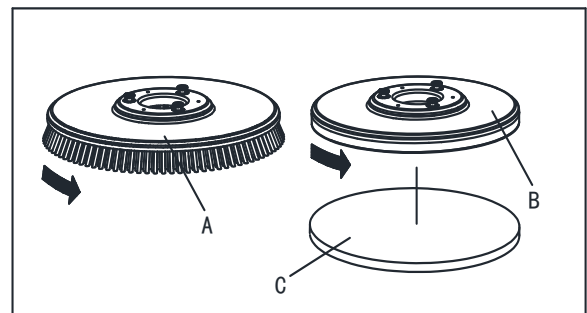


**CAUTION!**

Before installation or uninstallation of brush or pad-holder, make sure all the switches on machine are in off position and lifting the squeegee from the floor. The operator must be equipped with suitable personnel protection devices, such as gloves to reduce the risk of accidents.

**Proceed as following:**

1. Insert the ignition key (35) and turn it to "O".
2. Lift the deck by pressing the pedal (9).
3. If equipped, turn the speed adjuster (40) to idle by turning it counter-clockwise.
4. Place the brushes (A, Figure 5) or the pad-holder (B) under the deck (21).
5. Lower the deck on the brushes/pad-holders by pressing the pedal (9).
6. Turn the ignition key (35) to "I".
7. Brush/pad-holder and vacuum system switch (46).
8. Press one of the Brush/forward gear switch (34) to engage the brush/pad-holder, then release it. If necessary, repeat the procedure until the brushes/pad-holders are engaged.
9. If Step No.8 above proves to be difficult, use the manual method by turning the brush/pad-holder in the direction opposite to the normal turning direction, and it can be taken off. (as shown in Figure 5)



**Figure 5**



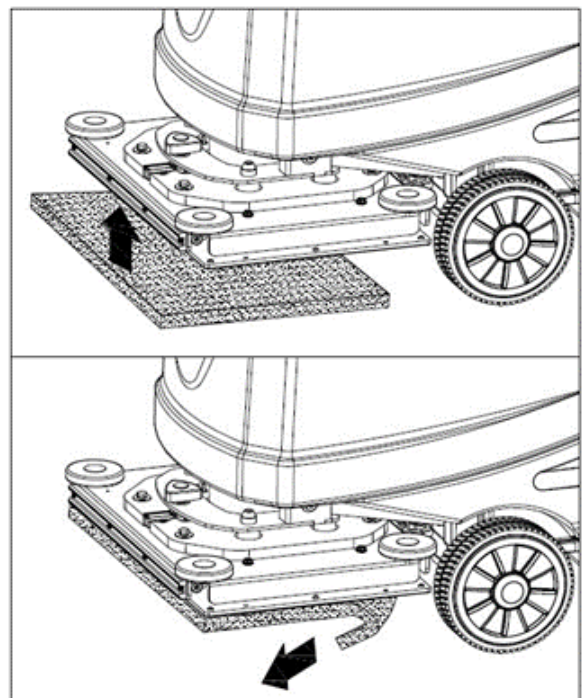
**WARNING!**

(Only for machine with traction) Turn the speed adjuster (40) counter-clockwise to drive the machine at the minimum speed.

Slightly press the switch (34), otherwise the machine starts to move.

To engage the brush/pad-holder press the switch (34) which turns on the brush/pad-holder motor.

10. To remove the brush/pad-holder lift the deck by pressing the pedal (9), then press the switch (44), the brush/pad-holder will be remove.



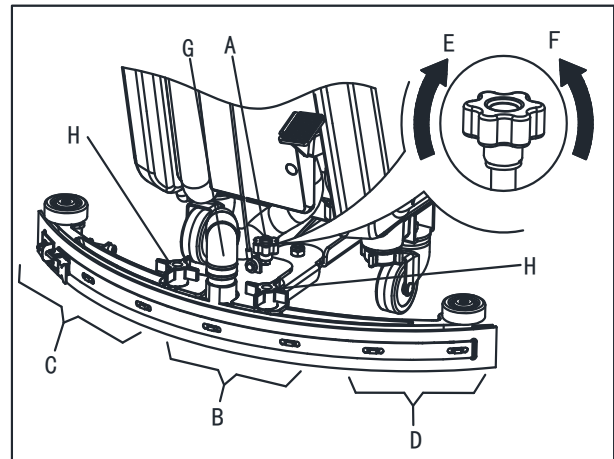
**Figure 5.1**

**PAD INSTALLATION AND UNINSTALLATION (only for orbital machine)**

1. Lift the deck by pressing the switch (46).
2. Install and uninstall the pad (A, Figure 5.1)

**ADJUSTING THE BALANCE OF SQUEEGEE**

1. Install the squeegee and screw up the nut (H), then connect the vacuum hose (G) to the squeegee.
2. Adjust the squeegee by squeegee adjusting handle (A, Figure 6).
  - a) If there is gap between the ground and middle section of rear squeegee blade (B), adjust the knob (A) in counterclockwise direction (F) until all section of rear squeegee blade good contact with ground, the front blade touch the ground slightly.
  - b) If there is gap between the ground and both end section of rear blade (C and D), adjust the knob (A) in clockwise direction (E) until all section of rear blade good contact with the ground, the front blade touch the ground slightly.



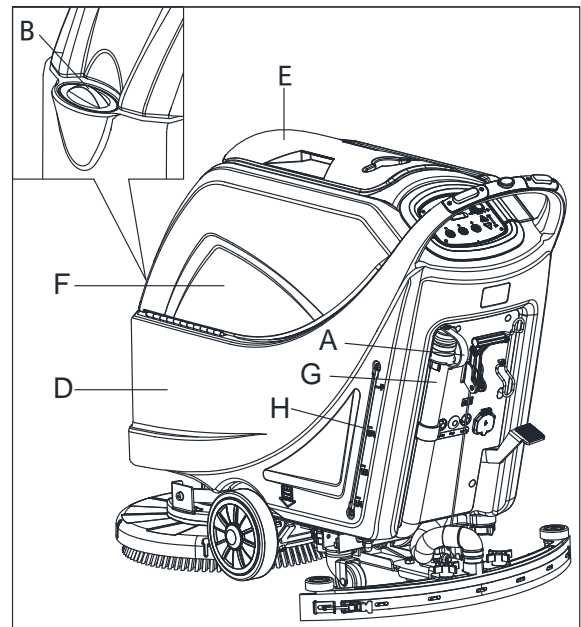
**Figure 6**

**SOLUTION OR WASHING WATER TANK FILLING**

1. Open the water inlet cover (B, Figure 7).
2. Filling water or solution suitable for work performance through the water inlet with filter.  
The solution temperature must not exceed +104F (+40 °C).
3. Do not overfill the tank, refer to water level indicator (H) for the water volume.



**WARNING!**  
Use only low-foam and non-flammable detergents, intended for automatic scrubber applications.



**Figure 7**

**MACHINE START AND STOP**

**Starting the machine**

1. Prepare the machine as shown in the previous paragraph.
2. Insert the ignition key (A, Figure 8) and turn it to "I". Check that the green warning light (B) turns on (charged battery). If the yellow (C) or red warning light (D) turns on, turn the ignition key back to "0" and charge the batteries (see the procedure in Maintenance chapter).
3. Drive the machine to the working area:
  - By pushing it with the hands on the handlebar (E) (only for machine without traction).
  - By pushing it with the hands on the handlebar (E) and pressing the switch (F) to move forward, or pressing the switch (F) together with the switch (G) to move backward (only for machine with traction). The forward speed can be adjusted with the adjuster (H).
4. Lower the squeegee (I) with the lever (J).
5. Lower the brush/pad-holder deck (K) by lifting the pedal (L). (only for disc machine)
6. Press the brush/pad-holder switch (M) and the vacuum system switch (N).
7. Press the washing water flow control switches (O) as necessary, depending on the type of cleaning to be performed.
8. Start cleaning:
  - (only for machine without traction) by pushing the machine with the hands on the handlebar (E) and pressing the switch (F).

- (only for machine with traction) by pushing the machine with the hands on the handlebar (E) and by pressing the switch (F). If necessary, the forward speed can be adjusted with the adjuster (H).



**NOTE**

To move the machine forward, press either the left or right switch (F) or both.

**Stopping the machine**

9. Stop the machine by using the handlebar (E) (only for machine without traction). Stop the machine by releasing the switches (F) (only for machine with traction).
10. Stop the brushes and the vacuum system by pressing the switch (M). The vacuum system stops after a few seconds.
11. Lift the brush/pad-holder deck (K) by pressing the pedal (L). (only for disc machine)
12. Lift the squeegee (I) with the lever (J).
13. Turn the ignition key (A) to "0".
14. Make sure that the machine cannot move independently.

**ADJUSTING THE LEVEL OF ORBITALDECK (ONLY FOR ORBITAL MACHINE)**

1. Lower the brush/pad-holder deck by press the Brush/pad-holder switch (M Figure 8).
2. Adjust the level of orbital deck by adjusting handle (A, Figure 8.1).made the bubble in the middle (B Figure 8.1).

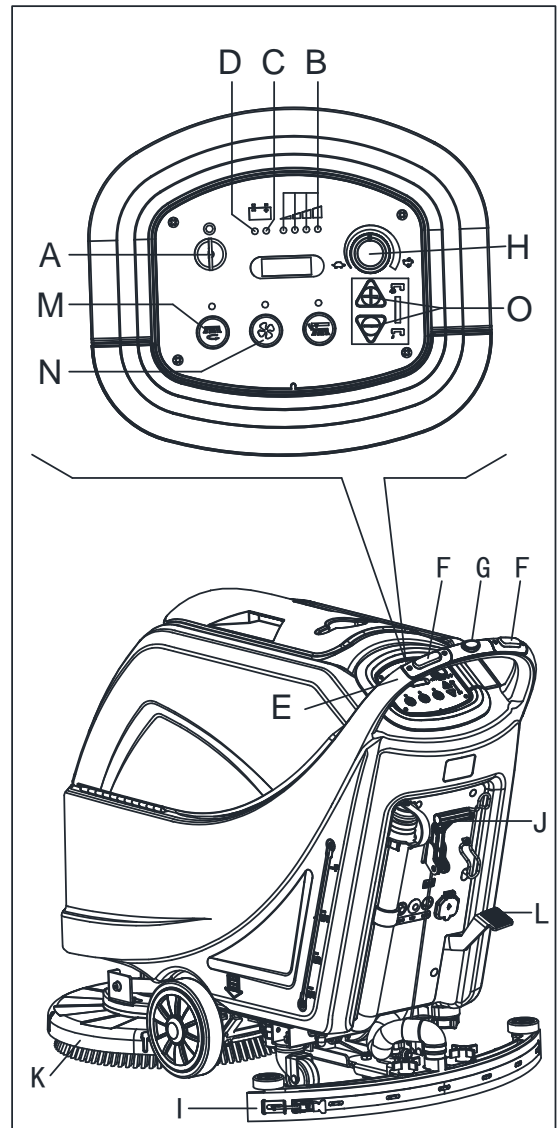


Figure 8

**MACHINE OPERATION (SCRUBBERING AND DRYING)**

1. Start the machine as shown in previous paragraphs.
2. While keeping both hands on the handlebar press the safety switch (F, Figure 8), then manoeuvre the machine and start scrubbing/drying the floor.
3. If necessary, stop the machine then adjust squeegee according to section "Adjusting balance of squeegee".



**NOTE**

For correct scrubbing/drying of floors at the sides of the walls, Suggests to go near the walls with the right side of the machine (A and B, Figure 9) as shown in the figure.

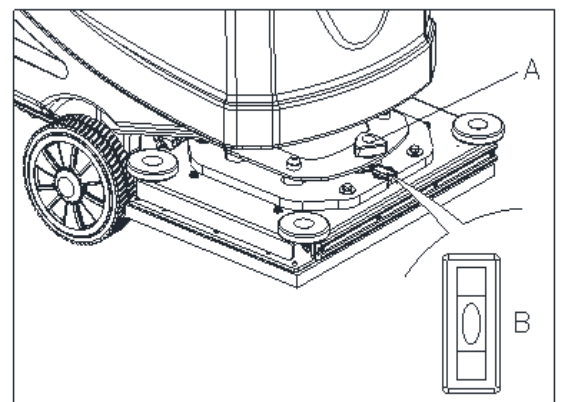
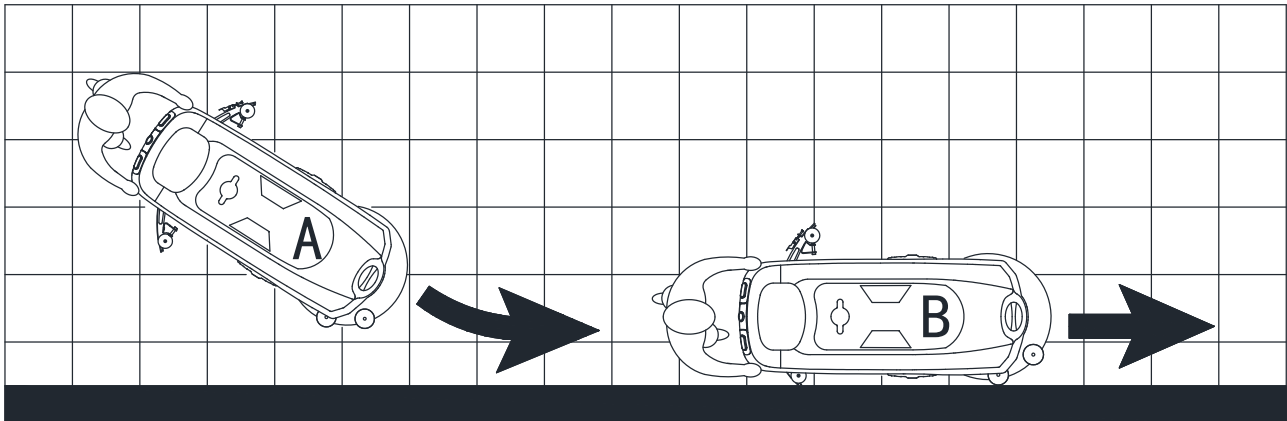


Figure 8.1



**CAUTION!**

To avoid any damage to the floor surface, turn off the brushes/pad-holders when the machine stops in one place.



**Figure 9**

**Battery discharge during operation**

Until the green warning light (A, Figure 10) stays on, the batteries allow the machine to work normally. When the green warning light (A) turns off, and the yellow warning light (B) turns on, it is advisable to charge the batteries, because the remaining charge will last for a few minutes (depending on battery characteristics and work to be performed). When the red warning light (C) turns on, batteries are fully discharged. After a few seconds, the brush/pad-holder is automatically tuned off, while the (only for machine with traction) drive system stay on, to finish drying the floor and drive the machine to the appointed recharging area.

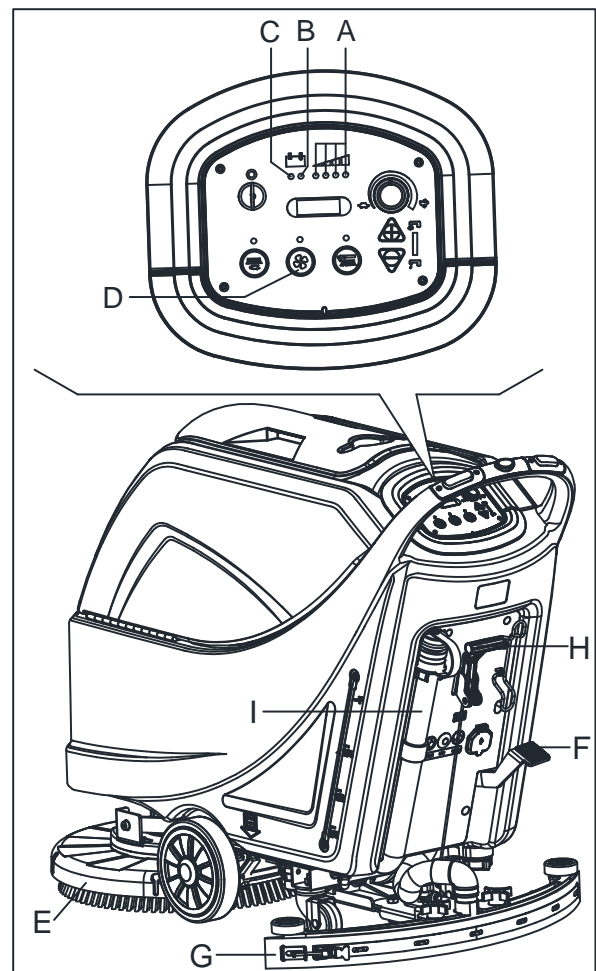


**CAUTION!**

Do not use the machine with discharged batteries, to avoid damaging the batteries and reducing the battery life.

**TANK EMPTYING**

An automatic float shut-off system (A, Figure 11) blocks the vacuum system when the recovery water tank (B) is full. The vacuum system deactivation is signaled by a sudden increase in the vacuum system motor noise frequency, also the floor has not dried.



**Figure 10**



**CAUTION!**

If the vacuum system turns off accidentally (for example, when the float is activated because of a sudden machine movement), to resume the operation: turn off the vacuum system by pressing the switch (D, Figure 10), then open the cover (C, Figure 11) and check that the float inside the grid (A) has gone down to the water level. Then close the cover (C) and turn on the vacuum system by pressing the switch (D, Figure 10).

When the recovery water tank (B, Figure 11) is full, empty it according to the following procedure.

**Recovery water tank emptying**

1. Stop the machine.
2. Lift the brush/pad-holder deck (E, Figure 10) by pressing the pedal (F, Figure 10). (only for disc machine)
3. Lift the squeegee (G, Figure 10) with the lever (H, Figure 10).
4. Drive the machine to the appointed disposal area.
5. Empty the recovery water tank with the hose (I, Figure 10). Then, rinse the tank (B, Figure 11) with clean water.



**CAUTION!**

When draining the wastewater, the vacuum tube for waste must be folded (A, Figure 12) and lowered to a lower position (B, Figure 12), and then open the lid of the vacuum tube for waste to drain the water. Do not make the outlet of the vacuum tube for waste face upward to drain the water vertically. This is to avoid wastewater spilling onto the operator.

6. Perform steps 1 to 4.

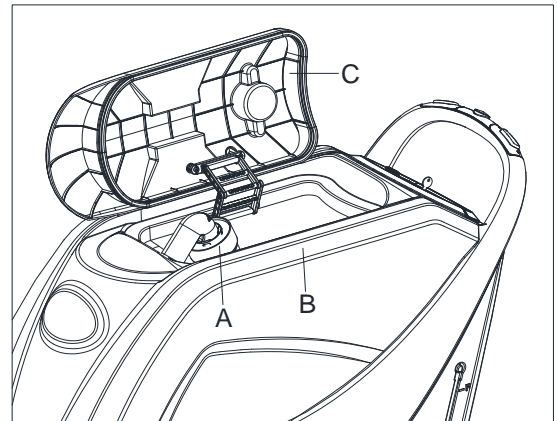
**Solution/clean water tank emptying**

7. Empty the solution tank with the outlet cover (A, Figure 13). After working, rinse the tank with clean water.

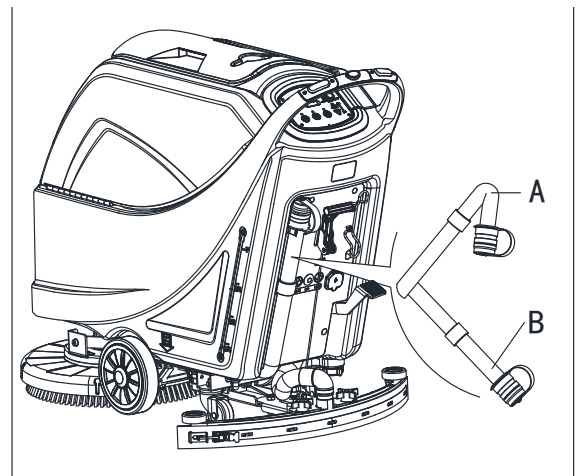
**AFTER USING THE MACHINE**

After working, before leaving the machine:

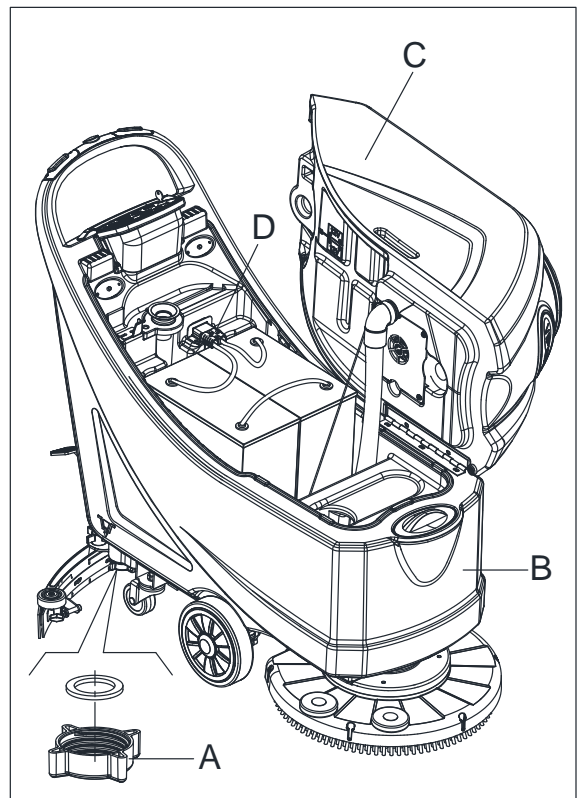
1. Remove the brushes/pad-holders.
2. Empty the tanks (B and C, Figure 13) as shown in the previous paragraph.
3. Perform the daily maintenance procedures (see the Maintenance chapter).
4. Store the machine in a clean and dry place, with the brushes/pad-holders and the squeegee lifted or removed.



**Figure 11**



**Figure 12**



**Figure 13**

**MACHINE LONG INACTIVITY**

If the machine is not going to be used for more than 30 days, proceed as follows:

1. Perform the procedures shown in After Using the machine paragraph.
2. Disconnect the battery connector (54).

**FIRST PERIOD OF USE**

After the first 8 hours, check the machine fastening and connecting parts for proper tightening and check the visible parts for wear and leakage.

**MAINTENANCE**



**WARNING!**

**Maintenance procedures must be performed after the machine is turned off and the battery charger cable is disconnected. In addition, carefully read the safety chapters in the manual.**

All scheduled or extraordinary maintenance procedures must be performed by qualified personnel or an authorized Service Center. This manual only describes the general and common maintenance procedures.

For other maintenance procedures that are not in below maintenance schedule table, please refer to the Service Manual that can be consulted at any our company Service Center.

**SCHEDULED MAINTENANCE TABLE**



**CAUTION!**

**The procedure marked with (1) must be performed when the machine is used after 9 hours for the first time. The procedure marked with (2) must be done by Service Center that qualified by our company.**

Procedure	Daily, after each use	Weekly	semiannually	Yearly
Battery charging				
Squeegee cleaning				
Brush/Pad-holder cleaning				
Tank cleaning				
Tank sealing strip inspection				
Float ball filter cleaning				
Pad cleaning				
Squeegee blade check and replacement				
Cleaning water filter cleaning				
Suction filter cleaning				
WET battery fluid level check				
Screw and nut tightness inspection			(1)	
Lower Isolator			(2)	
Brush/Pad-holder carbon brush check or replacement				(2)
Suction motor carbon brush check or replacement				(2)
Drive system motor carbon brush check or replacement (only for machine with traction)				(2)

## BATTERY CHARGING



### NOTE

Charge the batteries when the yellow (F, Figure 14) or red warning light (G) turns on, or when finishing cleaning.



### CAUTION!

Keeping the batteries charged make their life last longer.



### CAUTION!

When the batteries are discharged, charge them as soon as possible, as that condition makes their life shorter. Check for battery charge at least once a week.



### WARNING!

WET battery charging produces highly explosive hydrogen gas. Charge the batteries in well-ventilated areas and away from naked flames. Do not smoke while charging the batteries. Keep the tank open while charging the batteries.



### WARNING!

Pay careful attention when charging the batteries as there may be battery fluid leakages. The battery fluid is corrosive. If it comes in contact with skin or eyes, rinse thoroughly with water and consult a physician.

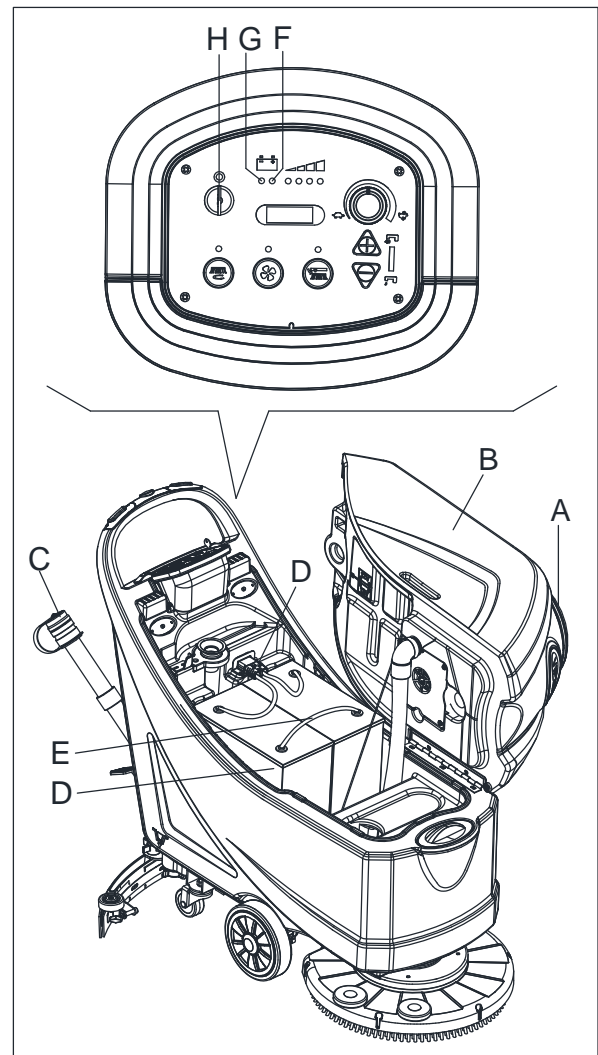


Figure 14

### Preliminary procedures

1. Open the cover (A, Figure 14) and check that the recovery water tank (B) is empty, otherwise empty it with the drain hose (C).
2. Drive the machine on a level floor.
3. Turn the ignition key (H) to "0".
4. Carefully lift the tank (B).
5. For WET batteries, only:
  - Check the level of electrolyte inside the batteries (D); if necessary, top up through the caps (E).
  - Leave all the battery caps (E) open for next charging.
  - If necessary, clean the upper surface of the batteries (D).
6. Charge the batteries according to the following procedure.

**Battery charging with battery charger installed on the machine**

7. Connect the battery charger cable (A, Figure 15) to the electrical mains (G) (the electrical mains voltage and frequency must be compatible with the battery charger values shown on the machine serial number plate (F)). When the battery charger is connected to the electrical mains, all machine functions are automatically cut off. If the red warning light (B) on the battery charger control panel stays on, the battery charger is charging the batteries.
8. When the green warning light (C) turns on, the battery charging is completed.
9. When the battery charging is completed, disconnect the battery charger cable (A) from the electrical mains (G) and wind it round its housing (D).
10. Carefully lower the tank.

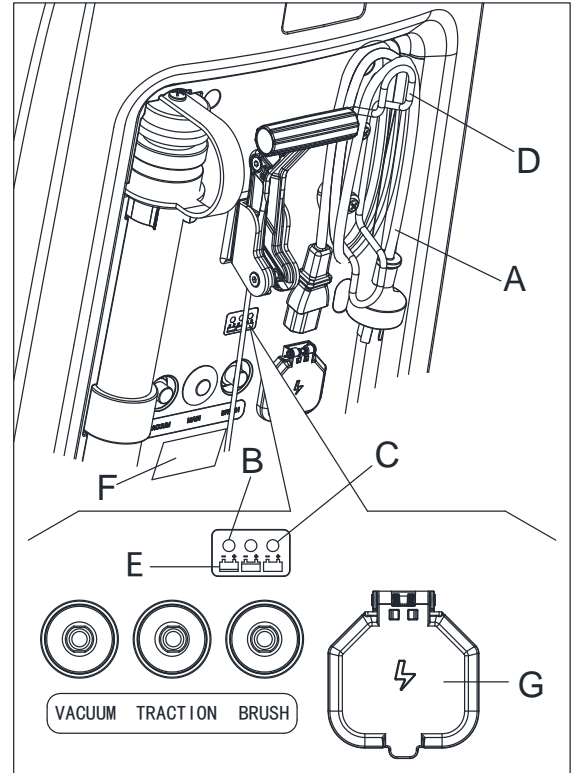


Figure 15



**NOTE**

For further information about the operation of the battery charger (E, Figure 15), see the relevant Manual.

**BRUSH/PAD CLEANING**



**CAUTION!**

It is advisable to use protective gloves when cleaning the brush/pad because there may be sharp debris.

1. Remove the brush/pad from the machine, as shown in the Use chapter.
2. Clean and wash the brush/pad with water and detergent.
3. Check that the brushes/pads are in working condition and not excessively worn; if necessary replace them.

**SOLUTION FILTER CLEANING**

1. Drive the machine on a level floor.
2. Ensure that the machine is off and the ignition key (35) has been removed.
3. Emptying the solution tank (Advice).
4. Remove the transparent cover (D, Figure 16), then remove the filter strainer (E). Clean and install them on the support (F).



**NOTE**

The filter strainer (E) must be correctly positioned on the housing (H) of the support (F).

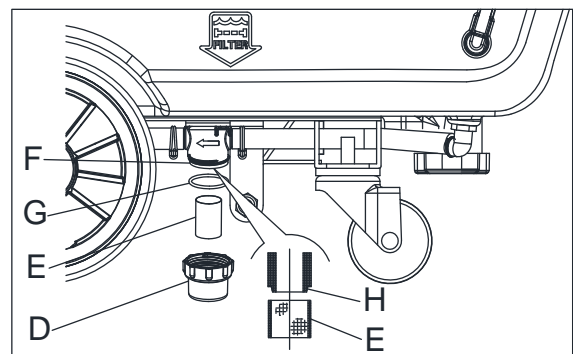


Figure 16



**SQUEEGEE CLEANING**



**NOTE**

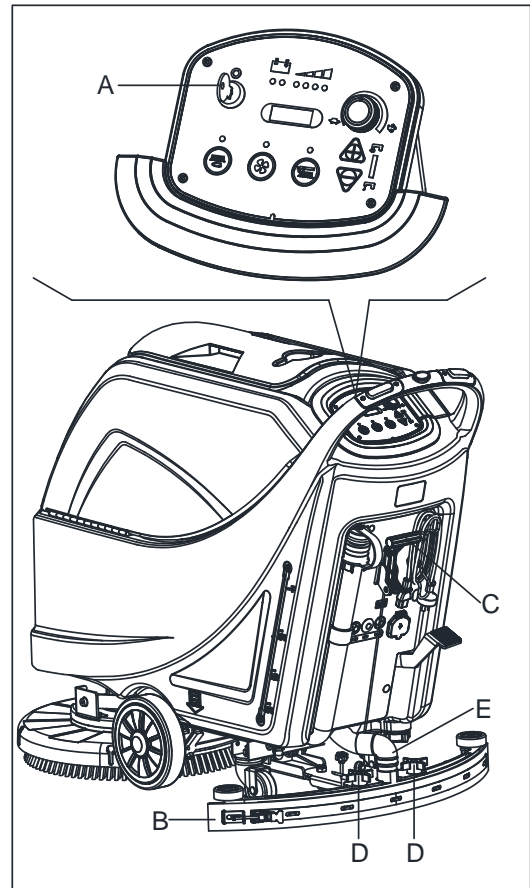
The squeegee must be clean and its blades must be in good conditions in order to get a good drying.



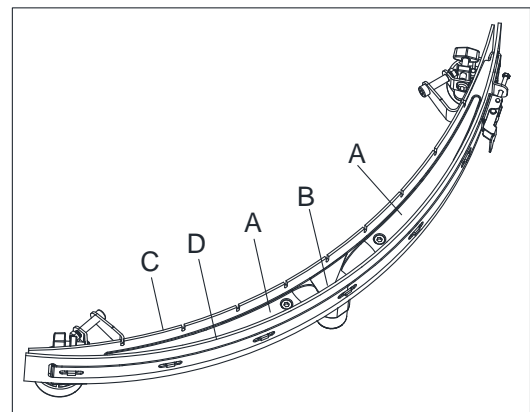
**CAUTION!**

It is advisable to wear protective gloves when cleaning the squeegee because there may be sharp debris.

1. Drive the machine on a level floor.
2. Turn the ignition key (A, Figure 17) to "0".
3. Lower the squeegee (B) with the lever (C).
4. Loosen the knobs (D) and remove the squeegee (B).
5. Disconnect the vacuum hose (E) from the squeegee.
6. Clean the steel or the aluminum squeegee (Figure 18). Clean the compartments (A) and the hole (B) especially. Check the front blade (C) and the rear blade (D) for integrity, cuts and tears; if necessary replace them (see the procedure in the following paragraph).
7. Assemble the squeegee in the reverse order of disassembly.



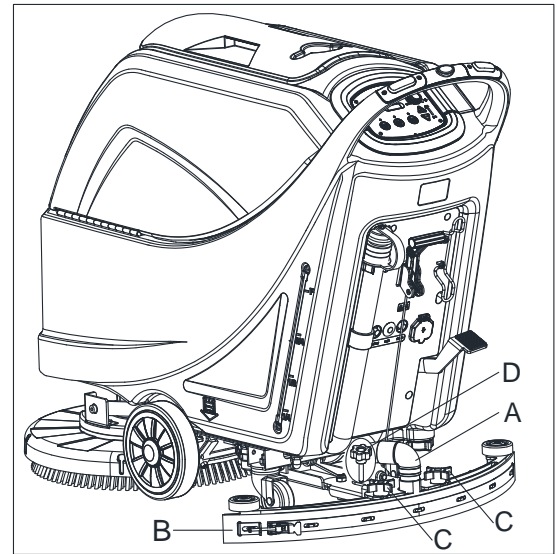
**Figure 17**



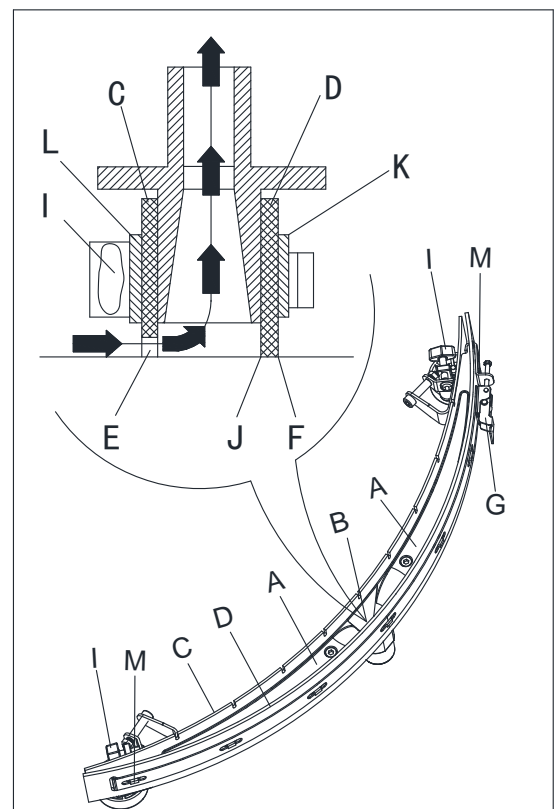
**Figure 18**

**SQUEEGEE BLADE CHECK AND REPLACEMENT**

1. Clean the steel or the aluminum squeegee, as shown in the previous paragraph.
2. Check that the edges (E, Figure 20) of the front blade (C) and the edges (F) of the rear blade (D) lay down on the same level, along their length; if necessary adjust their height according to the following procedure:
  - Remove the tie rod (G), disengage the fasteners (M) and adjust the rear blade (D), then engage the fasteners (M) and install the tie rod (G).
  - Loosen the knobs (I) and adjust the front blade (C), then tighten the knobs.
3. Check the front blade (C) and rear blade (D) for wear, cuts and tears; if necessary replace them according to the following procedure. Check that the front corner (J) of the rear blade (D) is not worn; if necessary, overturn the blade to replace the worn corner with an integral one. If the other corners are worn too, replace the blade according to the following procedure:
  - Remove the tie rod (G), disengage the fasteners (M) and remove the retaining strip (K), then replace/overturn the rear blade (D). Assemble the blade in the reverse order of disassembly.
  - Unscrew the knobs (I) and remove the retaining strip (L), then replace the front blade (C). Assemble the blade in the reverse order of disassembly. After the blade replacement (or overturning), adjust the height as shown in the previous step.
4. Connect the vacuum hose (A, Figure 19) to the squeegee.
5. Install the squeegee (B) and screw down the knobs (C).
6. If necessary, adjust the squeegee balance adjusting knob (D).



**Figure 19**



**Figure 20**

**TANK AND VACUUM GRID WITH FLOAT CLEANING, AND COVER GASKET CHECK**

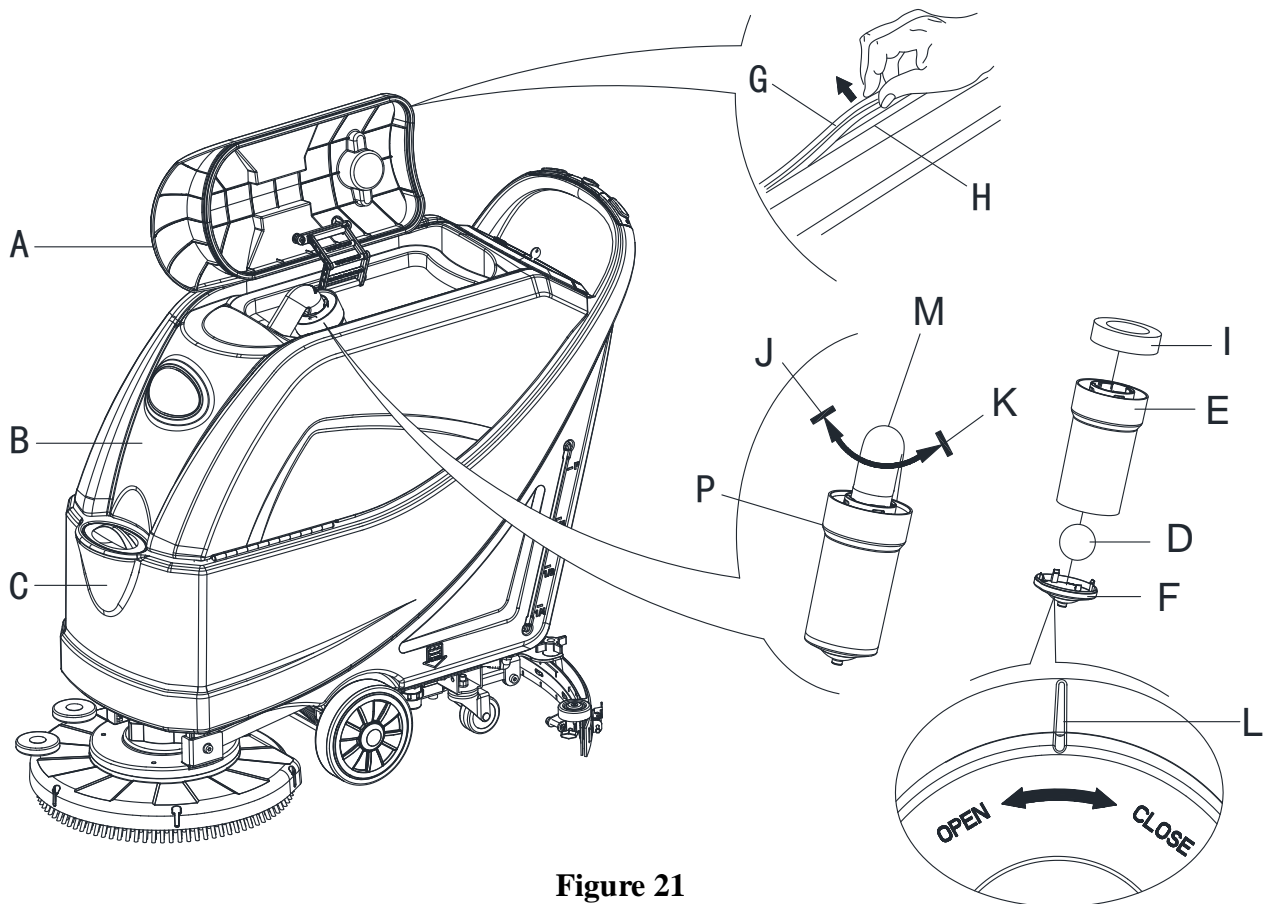
1. Drive the machine on a level floor.
2. Ensure that the machine is off and the ignition key (54) has been removed.
3. Turn the recovery tank lid (A, Figure 21) 90 degree position where it can be taken off from the tank, and then take down the float ball filter (P) from the tank.
4. Clean the recovery tank lid (A), recovery tank (B), clean water tank (C) and the float ball filter support frame (E). Empty the recovery tank with the drain hose (B, Figure 23).
5. If necessary, follow the symbols “OPEN” and “CLOSE” as shown in (Figure 21) to open the bottom cover (F) of float ball filter and then clean the float ball (D), filter support frame (E) and filter sponge (I). After cleaning, fix the float ball (D) into the filter support frame (E) and then align the mark groove (L) of the bottom cap (F) of the float ball filter with the mark groove (L) of the float filter support frame (E). Screw the bottom cap of the float ball filter tight, and fix the filter sponge (I) onto the float filter support frame (E). Finally, connect it to the sewage suction hose (M).
6. Inspect the integrity of the tank sealing strip.



**NOTE**

**Tank sealing strip (G) makes to produce the vacuum inside the tank when suction motor works. The tank must be sealed can effectively absorb the water from the ground to recovery tank.**

7. Check whether the contact surface of sealing strip (G) is integrity and sealing is sufficient. If necessary, take the sealing strip of the tank out of the groove (H) and replace it. Assembly the new sealing strip as shown in (Figure 21), the joint should be back in the middle area.
8. Close the recovery tank lid (A).



**Figure 21**

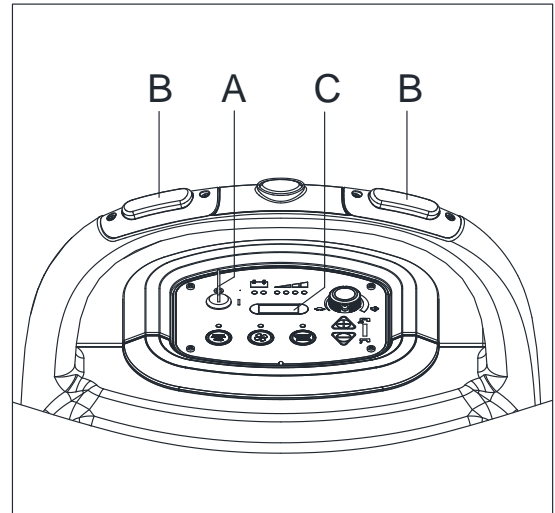
**MACHINE WORKING HOUR CHECK**

1. Turn the ignition key (A, Figure 22) to "I".
2. Press the switch (B), the hour meter (C) begins to work and it at the same time shows the total number of working hours (scrubbing/drying) performed by the machine.
3. Release the switch (B).
4. Turn the ignition key (A) to "0".

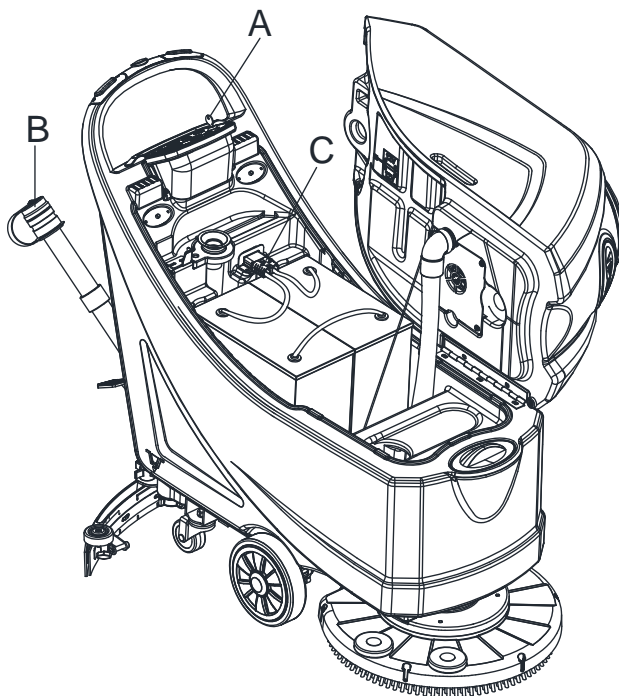
**FUSE CHECK/REPLACEMENT**

1. Turn the ignition key (A, Figure 22) to "0".
2. Disconnect the power supply cable (C, Figure 23) from the electrical mains.
3. Remove the screws (C, Figure 24) on control panel (D), then turn over the PCB to find the fuse (A, B, Figure 24).
4. Check/replace the following fuses:
  - A) F1 fuse, low power circuit fuse: (5A)
  - B) F3 fuse, Brush release fuse: (20A)
5. Perform steps 1 to 3 in the reverse order.
6. Check/press down or replace the following breakers:
  - E) F5 breaker, vacuum motor circuit breaker: (30A) (only for disc machine)
  - F) F4 breaker, drive system circuit breaker: (17A) (\*) (only for disc machine)
  - G) F2 breaker, brush motor circuit breaker: (30A)

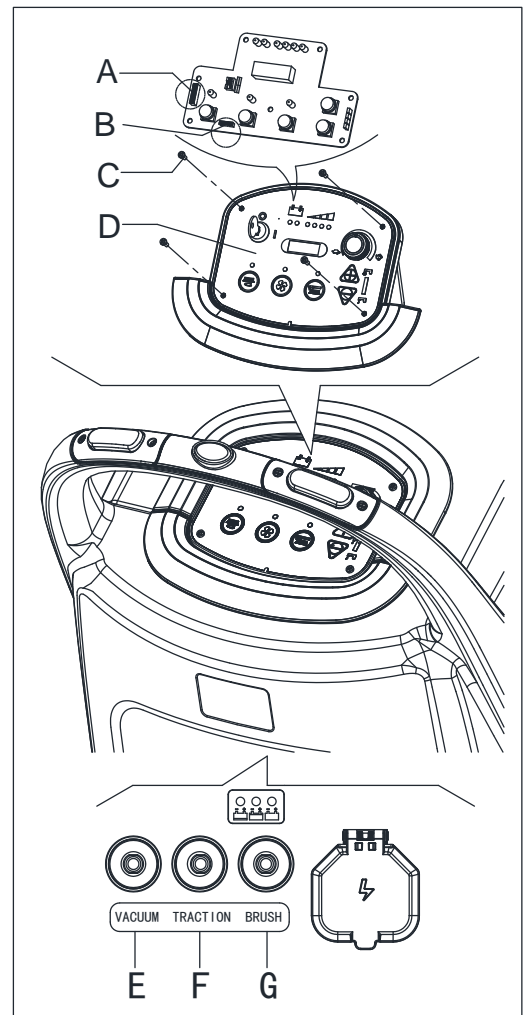
(\*): Only for machine with traction



**Figure 22**



**Figure 23**



**Figure 24**

**ACCESSORIES/OPTIONS**

In addition to the standard components, the machine can be equipped with the following accessories/options, according to the machine specific use:

For further information concerning the above-mentioned optional accessories, contact an authorized Retailer.

**ACCESSORIES/OPTIONS**

See “Parts List” section

1. GEL/AGM batteries
2. Pads of different materials

**TROUBLESHOOTING**

Trouble	Probable causes	Remedy
The motors do not work; no warning light turns on.	The battery connector is disconnected.	Connect the battery connector.
	The batteries are completely discharged.	Charge the batteries.
The machine does not move (Only for machine with traction)	The machine has been turned on by using the ignition key and by keeping one of the switches pressed.	Turn the ignition key to “0”, then try to start the machine again without pressing the switches.
The 3 battery charge indicators are flashing simultaneously.	Brush motor overload.	Use less aggressive brushes
	Foreign materials (tangled threads, etc.) which may prevent the brush from rotating.	Clean the brush hub.
The brushes do not work, the red warning light is on.	The batteries are discharged.	Charge the batteries.
The recovery water vacuuming is insufficient.	The recovery water tank is full.	Empty the tank.
	The hose is disconnected from the squeegee.	Connect.
	The vacuum grid is clogged or the float is stuck closed.	Clean the grid or check the float.
	The squeegee is dirty or the squeegee blades are worn or damaged.	Clean and check the squeegee.
	The tank cover is not properly closed, or the gasket is damaged, or the Bend tube is clogged.	Close the cover correctly, or replace the gasket or clean the Bend tube.
	The recovery water tank is dirty.	Clean.
The solution flow to the brushes is insufficient.	The solution/clean water filter is dirty.	Clean the filter.
The squeegee leaves marks on the floor.	There are debris under the squeegee blades.	Remove the debris.
	The squeegee blades are worn, chipped or torn.	Replace the blades.
	The squeegee has not been adjusted with the knob.	Adjust.



**NOTE**

**Machine with battery charger installed, cannot operate if the charger is not on board. In case of battery charger malfunction, contact an authorized Service Center.**

**For further information refer to the Service Manual, available at any Service Center.**

**SCRAPPING**

Scrap the machine by the qualified waste treatment institution.

Before the machine is scrapped, please take away and segregate below subassembly that relevant laws and regulations request must be disposed in appropriate way.

- Battery
- Brush/Pad-holder
- Plastic hose and plastic parts
- Electrical and electronic components (\*)

(\*) Please contact our company service center for any destroy of electrical and electronic components.

## TABLE DES MATIÈRES

<b>INTRODUCTION.....</b>	<b>29</b>
BUT ET CONTENU DU GUIDE .....	29
COMMENT CONSERVER CE GUIDE.....	29
DÉCLARATION DE CONFORMITÉ.....	29
ACCESSOIRES ET ENTRETIEN .....	29
CHANGEMENT ET AMÉLIORATION .....	29
CHAMP D'APPLICATION .....	29
DONNÉES D'IDENTIFICATION DE LA MACHINE .....	29
TRANSPORT ET DÉBALLAGE .....	30
<b>SÉCURITÉ.....</b>	<b>30</b>
SYMBOLES VISIBLES SUR LA MACHINE.....	30
SYMBOLES QUI APPARAISSENT SUR LE MANUEL D'UTILISATION.....	30
CONSIGNES GÉNÉRALES DE SÉCURITÉ.....	31
<b>DESCRIPTION DE LA MACHINE .....</b>	<b>33</b>
STRUCTURE DE LA MACHINE.....	33
PANNEAU DE COMMANDE .....	34
FENÊTRE D'AFFICHAGE DU VOYANT DU CHARGEUR.....	34
PARAMÈTRES TECHNIQUES .....	35
SCHÉMA DE CÂBLAGE .....	36
<b>GUIDE D'UTILISATION .....</b>	<b>39</b>
VÉRIFICATION/RÉGLAGE DE LA BATTERIE SUR UNE NOUVELLE MACHINE .....	39
INSTALLATION DES BATTERIES ET RÉGLAGE DU TYPE DE BATTERIE (AVEC ENTRETIEN OU GEL/AGM).....	40
SELON LE TYPE DE BATTERIES (AVEC ENTRETIEN OU GEL/AGA) REGLER LA MACHINE.....	41
INSTALLATION ET DÉINSTALLATION DE LA BROSSE / DU SUPPORT DE DISQUE .....	42
AJUSTEMENT DE L'ÉQUILIBRE DE L'EMBOUCHURE .....	43
REPLISSAGE DU RÉSERVOIR AVEC UNE SOLUTION OU DE L'EAU .....	43
DÉMARRAGE/ARRÊT DE LA MACHINE.....	43
AJUSTER LE NIVEAU DU PONT ORBITAL (UNIQUEMENT POUR LA MACHINE ORBITALE) .....	44
FONCTIONNEMENT DE LA MACHINE (LAVAGE ET SÉCHAGE) .....	44
VIDANGE DU RÉSERVOIR .....	45
APRÈS UTILISATION DE LA MACHINE.....	46
LONGUE INACTIVITÉ DE LA MACHINE .....	47
PREMIÈRE PÉRIODE D'UTILISATION .....	47
<b>ENTRETIEN.....</b>	<b>47</b>
CALENDRIER D'ENTRETIEN PROGRAMME.....	47
CHARGEMENT DES BATTERIES.....	48
NETTOYAGE DE LA BROSSE/DU DISQUE.....	49
NETTOYAGE DU FILTRE DE SOLUTION.....	49
NETTOYAGE DE L'EMBOUCHURE .....	50
VÉRIFICATION ET REMPLACEMENT DE LA LAMELLE DE L'EMBOUCHURE .....	51
NETTOYAGE DU RÉSERVOIR ET DE LA GRILLE D'ASPIRATION AVEC LE FLOTTEUR, VÉRIFICATION DU JOINT DE COUVERCLE .....	52
VÉRIFICATION DES HEURES DE TRAVAIL DE LA MACHINE .....	53
VÉRIFICATION/REMPLACEMENT DU FUSIBLE .....	53
ACCESSOIRES/OPTIONS.....	54
<b>DÉPANNAGE .....</b>	<b>54</b>
<b>RECYCLAGE.....</b>	<b>54</b>

## INTRODUCTION



### MISE EN GARDE!

Certaines informations générales et détaillées de la machine ne figurent pas dans ce guide. Veuillez vous reporter au Manuel utilisateur sur le CD-ROM fourni, avec lecture par Adobe® Reader®.



### REMARQUE

Les chiffres entre parenthèses renvoient aux éléments présentés dans le chapitre Description de la Machine.

## BUT ET CONTENU DU GUIDE

Le but de ce Guide de démarrage rapide est de fournir à l'opérateur toutes les informations de base afin d'utiliser correctement la machine. Pour des informations sur les caractéristiques techniques, l'utilisation ou la non utilisation de la machine, l'entretien, les pièces de rechange et les conditions de sécurité, etc. Veuillez-vous référer au Mode d'emploi sur le CD-ROM fourni.

Avant d'effectuer toute opération sur la machine, les opérateurs et les techniciens qualifiés doivent lire le Mode d'emploi. Contacter notre société en cas de doutes concernant l'interprétation des instructions ou pour toute information complémentaire.

## COMMENT CONSERVER CE GUIDE

Le Guide de démarrage rapide doit être conservé près de la machine, dans une enveloppe spéciale, loin de liquides et d'autres substances qui peuvent le détériorer.

## DÉCLARATION DE CONFORMITÉ

La déclaration de conformité est fournie avec la machine et en atteste la conformité aux lois en vigueur.



### REMARQUE

Les copies de la déclaration originale de conformité sont fournies avec la documentation de la machine.

## ACCESSOIRES ET ENTRETIEN

Toutes les opérations d'entretien et de réparation doivent être effectuées par un personnel qualifié ou par un service de maintenance agréé. SEULS les pièces détachées et les accessoires autorisés doivent être utilisés.

Contactez notre service après-vente pour tout service ou achat d'accessoires ou pièces détachées si nécessaire.

## CHANGEMENT ET AMÉLIORATION

Nous nous sommes engagés à une amélioration continue de nos produits. Notre société se réserve le droit de modifier et d'améliorer la machine sans vous en informer.

## CHAMP D'APPLICATION

L'autolaveuse est à usage commercial et industriel. Elle est adaptée pour le nettoyage de sols lisses et durs. Pour plus de sécurité, elle doit être utilisée par un personnel qualifié. Elle ne convient pas pour une utilisation en extérieur ou pour le nettoyage de la moquette ou des sols rugueux.

## DONNÉES D'IDENTIFICATION DE LA MACHINE

Le numéro de série et le nom du modèle de la machine sont indiqués sur l'étiquette.

Ces informations sont importantes. Utiliser le tableau suivant pour noter les données d'identification de la machine, nécessaires lors de la commande de pièces de rechange.

MODÈLE DE LA MACHINE.....
NUMÉRO DE SÉRIE DE LA MACHINE.....

## TRANSPORT ET DÉBALLAGE

À la livraison s'assurer que l'emballage et la machine sont intacts et en bon état. En cas de dommage, porter à la connaissance du transporteur les dommages et avant d'accepter les marchandises, effectuer des réserves.

Suivre attentivement les instructions sur l'emballage, lors du déballage de la machine.

Vérifier l'emballage pour assurer que les éléments suivants sont inclus:

1. Documentations techniques, y compris le manuel de Guide de Démarrage Rapide, Instructions pour Utiliser le Disque et manuel du chargeur embarqué si le chargeur embarqué est intégré à la machine.
2. Câble du chargeur, si le chargeur embarqué est intégré à la machine.
3. Deux fusibles, le fusible du circuit électrique (5A) et le fusible de la brosse (20A).

## SÉCURITÉ

Les symboles suivants indiquent les situations potentiellement dangereuses. Toujours lire attentivement ces informations et prendre toutes les précautions nécessaires pour protéger les personnes et les biens.

### SYMBOLES VISIBLES SUR LA MACHINE



**ATTENTION!**

**Lire toutes les instructions attentivement avant toute opération sur la machine.**



**ATTENTION!**

**Ne pas laver la machine avec des jets d'eau directs ou sous pression.**



**ATTENTION!**

**Ne pas utiliser la machine sur des surfaces ayant une pente supérieure aux valeurs indiquées dans le cahier des charges.**

### SYMBOLES QUI APPARAISSENT SUR LE MANUEL D'UTILISATION



**DANGER!**

**Cela indique une situation dangereuse avec risque de mort pour l'opérateur.**



**ATTENTION!**

**Cela indique un risque potentiel de blessure pour les personnes.**



**ATTENTION!**

**Cela indique un avertissement ou une remarque concernant des fonctions importantes ou utiles.**

**Prêter l'attention aux paragraphes marqués par ce symbole.**



**REMARQUE**

**Cela indique une remarque sur des fonctions importantes ou utiles.**



**CONSULTATION**

**Ceci indique la nécessité de se référer aux instructions d'utilisation avant d'entreprendre toute procédure.**



## CONSIGNES GÉNÉRALES DE SÉCURITÉ

Les avertissements et les mises en garde spécifiques, pour informer des dommages potentiels aux personnes et à la machine, sont indiqués ci-dessous.



### DANGER!

- Cette machine doit être utilisée par un personnel qualifié selon les conseils du manuel.
- Avant d'effectuer toute opération de nettoyage, d'entretien, de réparation ou de remplacement, lire attentivement toutes les instructions, s'assurer d'éteindre la machine et de débrancher le connecteur de la batterie.
- Ne pas faire fonctionner la machine à proximité de poudres, liquides ou vapeurs toxiques, dangereux, inflammables et/ou explosifs. Cette machine ne convient pas pour la collecte des poudres dangereuses.
- Ne pas porter de bijoux, lorsque vous travaillez à proximité de composants électriques.
- Ne pas travailler sous la machine soulevée, sans la maintenir avec des sangles de sécurité.
- Lors de l'utilisation de batteries au plomb (AVEC ENTRETIEN), elles peuvent émettre des gaz inflammables en utilisation normale, vous devez éloigner les étincelles, les flammes, les substances fumigènes et les éléments rayonnants, éclairants et brûlants des batteries.
- Quand vous chargez les batteries au plomb (AVEC ENTRETIEN), elles peuvent émettre de l'hydrogène gazeux ce qui peut provoquer des explosions. Doit assurer que l'environnement de chargement soit bien aéré et éloigné des flammes nues.



### ATTENTION!

- Inspecter attentivement la machine avant chaque utilisation. Veiller à ce que tous les composants aient été bien assemblés avant l'utilisation. À défaut cela peut causer des dommages aux personnes et aux biens.
- Avant d'utiliser le chargeur de batterie, veiller à ce que les valeurs de fréquence et de tension indiquées sur l'étiquette du numéro de série de la machine correspondent à celles du secteur.
- Ne jamais déplacer la machine en tirant sur le câble du chargeur de batterie. Ne pas faire passer le câble sous une porte fermée. Ne pas faire fonctionner la machine avec le câble du chargeur de batterie. Éloigner le câble du chargeur de batterie des surfaces chauffées.  
Ne pas charger les batteries si le câble de chargeur de batterie ou la fiche sont endommagés.
- Pour réduire le risque d'incendie, de choc électrique ou de blessure, s'assurer que la machine est éteinte avant de partir.
- Utiliser ou stocker la machine en intérieur dans des conditions sèches, il est interdit de l'utiliser en extérieur.
- La température de stockage et celle de travail doivent être soit entre 0 °C et +40 °C, l'humidité de l'air doit être comprise entre 30% - 95%.
- Ne pas utiliser la machine sur des pentes avec une inclinaison dépassant ce qui est défini dans le cahier des charges.
- Lors de l'utilisation et de la manipulation de détergents de nettoyage de sols, suivre les instructions sur les étiquettes des bouteilles de détergent et porter des gants et des protections appropriés.
- Utiliser des brosses et des disques fournis avec la machine ou définis dans le manuel. L'utilisation d'autres brosses ou de disques pourrait nuire à la sécurité.
- En cas de dysfonctionnements de la machine, vérifier l'entretien de la machine. Si nécessaire, demander l'assistance du personnel autorisé d'un centre de maintenance agréé.
- Prendre toutes les précautions nécessaires pour empêcher les cheveux, les bijoux et les vêtements amples d'être retenus par des pièces en mouvement de la machine.
- Ne pas utiliser la machine dans des endroits particulièrement poussiéreux.  
Ne pas laver la machine avec des jets d'eau directs ou sous pression, ou avec des substances corrosives.
- Ne pas heurter des étagères ou des échafaudages, en particulier là où un risque de chute d'objets existe.

- Ne pas incliner de récipients de liquide sur la machine, utiliser le porte-bouteille pertinent.
- Pour éviter d'endommager le sol, ne pas laisser la brosse/le disque fonctionner alors que la machine est à l'arrêt.
- En cas d'incendie, utiliser un extincteur à poudre. Ne pas utiliser les extincteurs liquides.
- Ne pas enlever ou modifier les autocollants de la machine.
- Suivre scrupuleusement les instructions d'entretien ordinaires.
- Faire attention lors du transport de la machine, lorsque la température est basse. L'eau, dans le réservoir de récupération et dans les tuyaux, pourrait geler et causer de sérieux dommages à la machine.
- Si les pièces détachées doivent être remplacées, commander les pièces détachées D'ORIGINE auprès de Détaillants agréés.
- Retourner la machine au centre d'entretien, si elle ne fonctionne pas comme d'habitude ou si elle est endommagée.
- Pour assurer un fonctionnement adéquat et sécurisé de la machine, l'entretien prévu indiqué dans le chapitre de ce Manuel, doit être effectué par le personnel autorisé ou un centre d'entretien autorisé.
- La machine doit être correctement recyclée, en raison de la présence de matières toxiques (batteries, etc.), qui sont soumises à des normes qui exigent l'élimination dans des centres spéciaux (voir le chapitre Recyclage).
- Cette machine est un outil de nettoyage, et ne doit pas être utilisée pour toute autre utilisation.
- Toujours garder les ouvertures exemptes de poussière, de poils et de tout autre corps étranger qui pourrait réduire le flux d'air. Ne pas utiliser la machine si les ouvertures sont bouchées.
- Utiliser uniquement la machine lorsqu'un éclairage adéquat est fourni.
- Cette machine n'est pas conçue pour être utilisée par des personnes physiquement ou intellectuellement déficientes ou sans expérience ni connaissances, à moins qu'elles ne soient sous surveillance ou bien qu'elles n'aient été informées quant à l'utilisation de l'appareil de manière sécurisée, par une personne responsable de leur sécurité.
- Une attention particulière est nécessaire lorsqu'elle est utilisée à proximité des enfants.
- Les enfants doivent rester sous surveillance afin de s'assurer qu'ils ne jouent pas avec la machine.
- Tout en utilisant cette machine, prendre soin de ne pas causer de dommages aux personnes ou aux objets se trouvant aux alentours.

**DESCRIPTION DE LA MACHINE**

**STRUCTURE DE LA MACHINE (comme représenté sur la Figure 1)**

- |   |   |
|---|---|
| <ol style="list-style-type: none"> <li>1. Couvercle du réservoir de récupération</li> <li>2. Porte-gobelet</li> <li>3. Poignée</li> <li>4. Tableau de bord</li> <li>5. Plaque de numéro de série/ données techniques</li> <li>6. Levier de levage/d'abaissement de l'embouchure</li> <li>7. Support du câble d'alimentation</li> <li>8. Câble d'alimentation</li> <li>9. Pédale de levage/d'abaissement de l'embouchure (uniquement pour la machine à disque)</li> <li style="padding-left: 20px;">a) Position de la pédale lorsque l'embouchure est soulevée</li> <li style="padding-left: 20px;">b) Position de la pédale lorsque de l'embouchure est abaissée</li> <li>10. Cache-prises</li> <li>11. Écrous de l'embouchure</li> <li>12. Réinitialisation</li> <li>13. Tuyau d'aspiration de l'embouchure</li> <li>14. Embouchure</li> <li>15. Bouton de réglage de l'équilibre de l'embouchure</li> <li>16. Connecteur PA</li> <li>17. Roues arrière directrices</li> <li>18. Filtre de solution</li> </ol> | <ol style="list-style-type: none"> <li>19. Roues avant sur l'essieu fixe (A).<br/>Roues motrices (B)</li> <li>20. Brosse/Support du disque</li> <li>21. Brosse/plate-forme du support du disque</li> <li>22. Tuyau de vidange de l'eau de récupération</li> <li>23. Réservoir de solution</li> <li>24. Charnière</li> <li>25. Réservoir de récupération</li> <li>26. Filtre métallique</li> <li>27. Support de tuyau de remplissage</li> <li>28. Entrée d'eau propre</li> <li>29. Bavette garde-boue de 510 mm</li> <li>30. Joint du couvercle du réservoir</li> <li>31. Filtre à flotteur</li> <li>32. Électrovanne</li> </ol> <p>(*): Optionnel<br/>                 (A): Uniquement pour les machines sans traction<br/>                 (B): Uniquement pour les machines avec traction</p> |
|---|---|

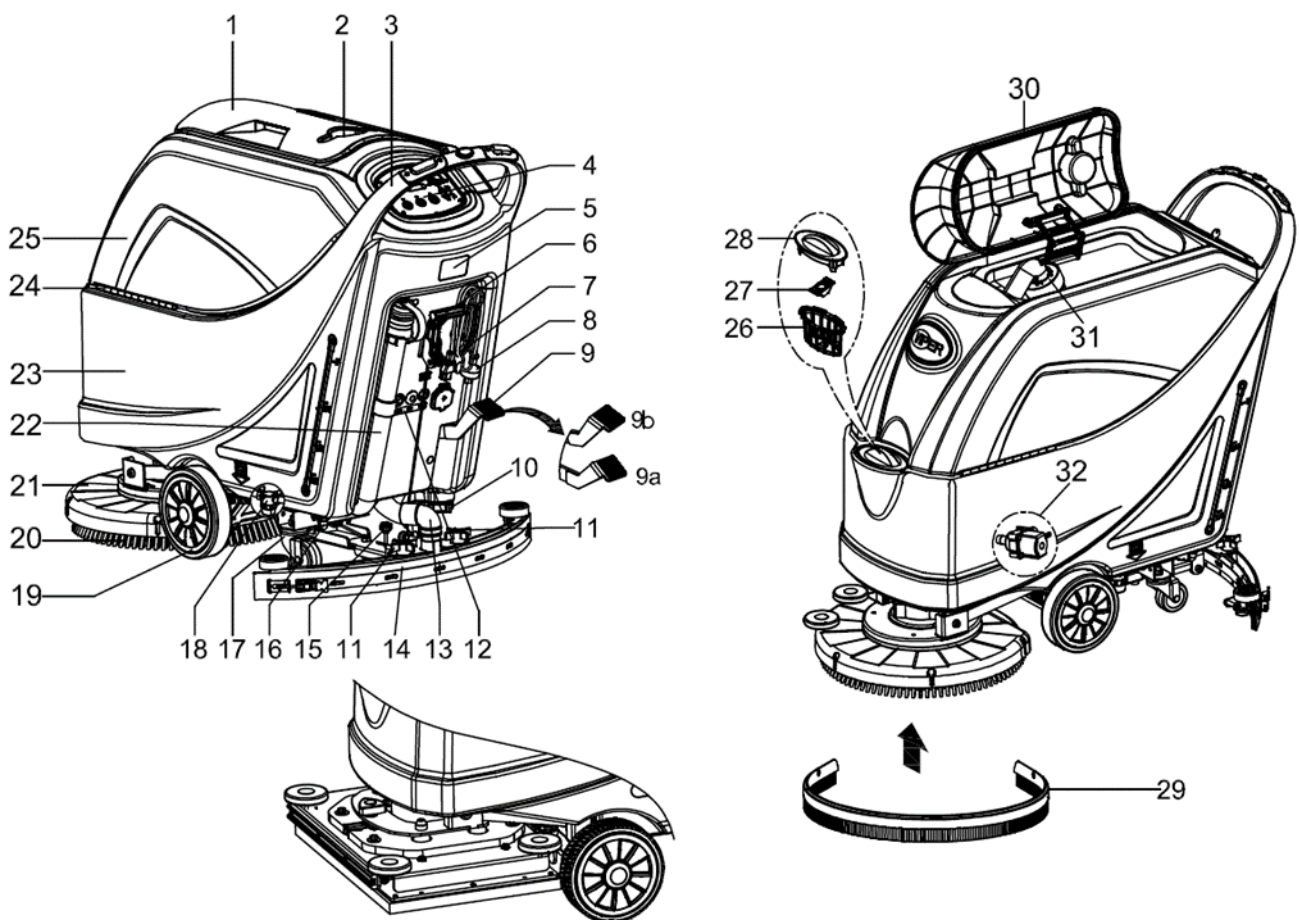
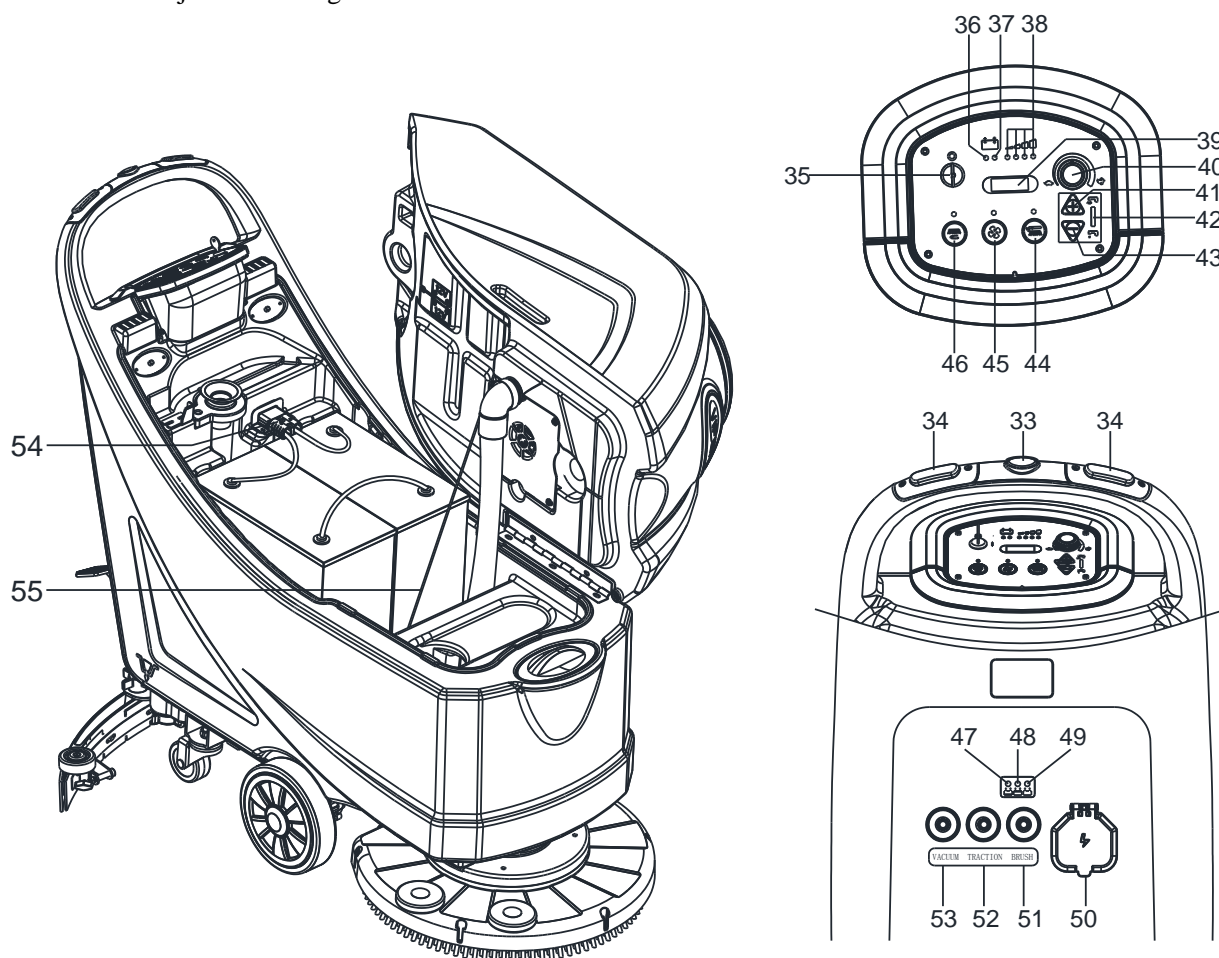


Figure 1

**PANNEAU DE COMMANDE (comme représenté sur la Figure 2)**

- |  |   |
|--|---|
| 33. Commutation recul de la machine (B)  | 49. Témoin LED vert de chargement               |
| 34. Interrupteur de sécurité   | 50. Prise de charge                             |
| 35. Clé de contact (0 - I)   | 51. Disjoncteur de la brosse                    |
| 36. Témoin lumineux de batterie déchargée (rouge)  | 52. Disjoncteur de la traction (B)              |
| 37. Témoin lumineux de batterie partiellement déchargée (jaune)  | 53. Disjoncteur aspiration                      |
| 38. Témoin lumineux de batterie chargée (vert)   | 54. Connecteur de batterie (rouge).             |
| 39. Compteur horaire   | 55. Câble de sécurité du réservoir              |
| 40. Régulateur de vitesse (B)  |   |
| 41. Bouton d'augmentation du débit   | (*): Optionnel                                  |
| 42. Indicateur de débit de solution  | (A): Uniquement pour les machines sans traction |
| 43. Bouton de réduction du débit   | (B): Uniquement pour les machines avec traction |
| 44. Commutateur de déverrouillage de la brosse/du porte-tampon (uniquement pour la machine à disque)<br>Pression supplémentaire active (uniquement pour la machine orbitale)   |   |
| 45. Bouton moteur d'aspiration   |   |
| 46. Commutateur de la brosse/du porte-tampon et du système à vide (uniquement pour la machine à disque)<br>Pont du tampon se déplaçant de haut en bas, ainsi que commutateur de la brosse/du porte-tampon et du système à vide (uniquement pour la machine orbitale) |   |
| 47. Témoin LED rouge de chargement   |   |
| 48. Témoin LED jaune de chargement   |   |

**Figure 2****FENÊTRE D'AFFICHAGE DU VOYANT DU CHARGEUR (comme montré sur la Figure 2)**

1. Au début de la charge, le voyant rouge (47) du chargeur s'allume normalement. C'est la première étape de charge.

- Après un certain temps de charge, le voyant rouge (47) s'éteint, le voyant LED (48) jaune s'allume, ceci est la deuxième étape de la charge.
- Après la charge, le voyant LED jaune (48) s'éteint, le voyant LED vert (49) s'allume pour indiquer que la batterie est complètement chargée.

**REMARQUE**

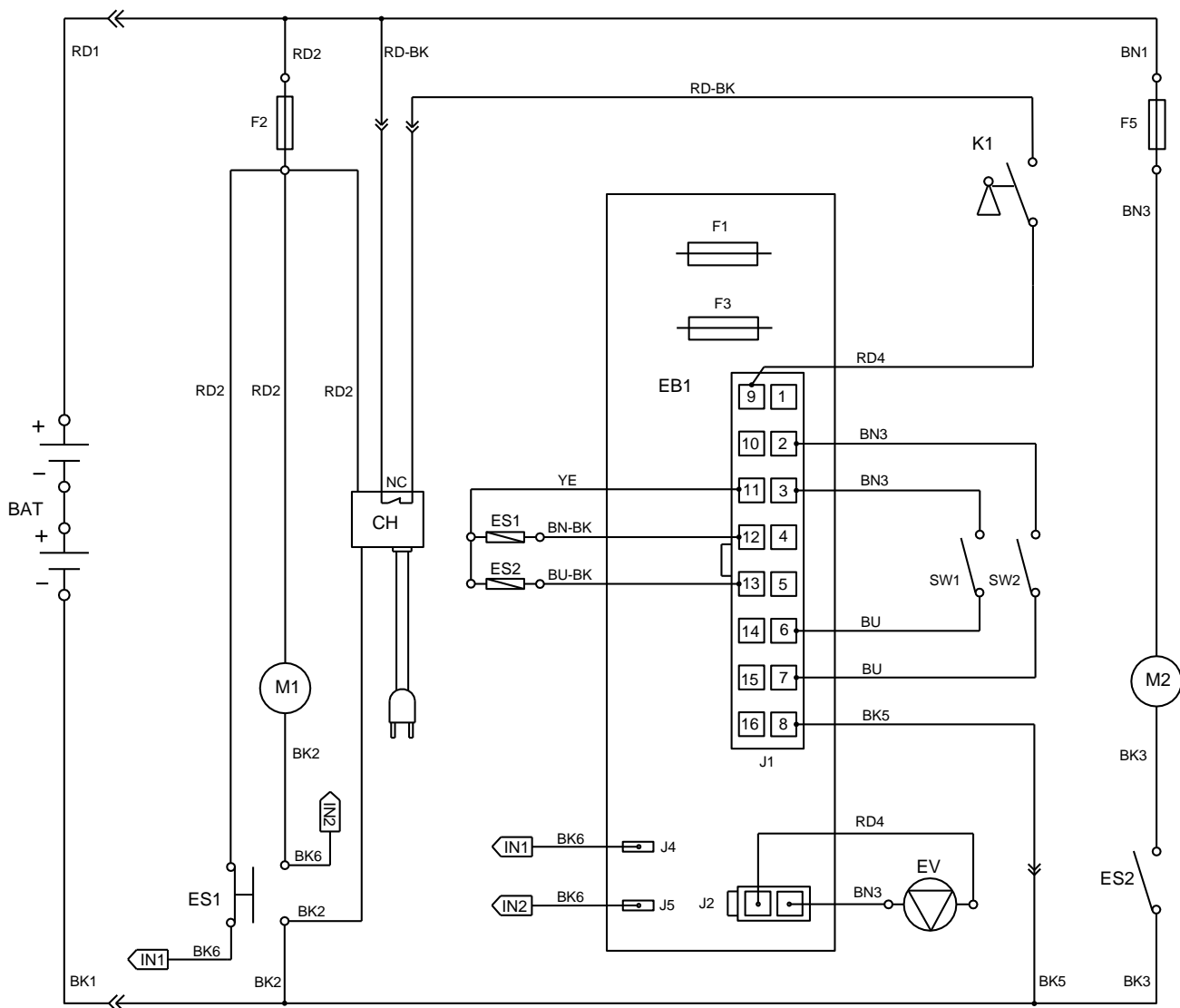
**Quand vous chargez, si le voyant LED (48) jaune du chargeur s'allume, cela peut indiquer: que la batterie et le chargeur ne correspondent pas, que la batterie n'est pas bien connectée, ou que la sortie est court-circuitée.**

**Le clignotement du voyant LED rouge du chargeur peut être causé par le court-circuit interne du chargeur.**

**PARAMÈTRES TECHNIQUES**

Type de paramètre	Unités	Modèle		
		AS5160	AS5160T	AS5160TO
Dimensions d'emballage (L X l X H)	mm / pouces	(1370 x 600 x 1220 mm) / (54 x 24 x 48 pouces)		
Hauteur de la machine	mm / pouces	1000 mm / 39,4 pouces		
Longueur de la machine	mm / pouces	1310 mm / 51,6 pouces		
Largeur de la machine (sans raclette)	mm / pouces	550 mm / 21,7 pouces		
Poids de la machine avec des réservoirs vides (sans batterie)	kg/lb	85 kg/187 lb	93 kg/205 lb	120 kg/264 lb
Poids total en charge (Gross Vehicle Weight/GVW)	kg/lb	214,8 kg/473 lb	222,8 kg/490 lb	240 kg/528 lb
Poids d'expédition	kg/lb	115 kg/253 lb	123 kg/271 lb	150 kg/330 lb
Capacité du réservoir de solution	L / Gal	61 L / 16 Gal.		
Capacité du réservoir de récupération	L / Gal	61 L / 16 Gal.		
Puissance du moteur d'aspiration	Watt / CH	350 W / 0,47 CH		
Capacité à vide	mm/Pa	1200 mm / 47,2 Pa		
Capacité en pente (max)	% qualité	2 %		
Diamètre des roues avant	mm / pouces	200 mm / 8 pouces		
Diamètre des roues arrière	mm / pouces	76 mm / 3 pouces		
Niveau sonore	dB (A)	69 +/- 3 dB (A)		
Flux de solution (max) par réglage	L / Gal par minute	(0,7 / 1,2 / 1,7 / 2,2) Litres (0,2 / 0,3 / 0,45 / 0,6) Gallons		
Largeur de travail	mm / pouces	510 mm / 20 pouces		
Largeur de la raclette	mm / pouces	790 mm / 31,1 pouces		
Diamètre de la brosse/du tampon	mm / pouces	510 mm / 20 pouces	510 x 360 mm / 20 x 14 pouces	
Puissance du moteur de la brosse	Watt / CH	450 Watt / 0,6 CH	750 Watt / 1,0 CH	
Vitesse de la brosse	TR/MN	150	2200	
Pression de la brosse/du tampon (max)	kg/lb	27 kg / 59,4 lb	23 kg / 50,6 lb	40 à 50 kg / 88 à 110 lb
Puissance du moteur d'entraînement	Watt / CH	N/A	150 W / 0,2 CH	250 W / 0,33 CH
Vitesse de travail	km / mille par heure	N/A	0 à 4,0 km / 0 à 2,5 mille par heure	
Vitesse d'avancement	km / mille par heure	N/A	0 à 4,0 km / 0 à 2,5 mille par heure	
Vitesse de marche arrière	km / mille par heure	N/A	0 à 2,0 km / 0 à 1,25 mille par heure	
Niveau de vibration de la poignée (max)	m/S2	2,5		
Tension	CC	24 Volts		
Batteries	Ampère-heure	105/130 AVEC ENTRETIEN 105/140 AGM Ah		
Chargeur de batterie embarqué	Volts/Ampères	24 volts / 10 ampères		24 volts / 13 ampères
Dimensions du compartiment de la batterie (L x l x H)	mm / pouces	(350 x 350 x 300) mm / 13,8 x 13,8 x 11,8) Pouces		

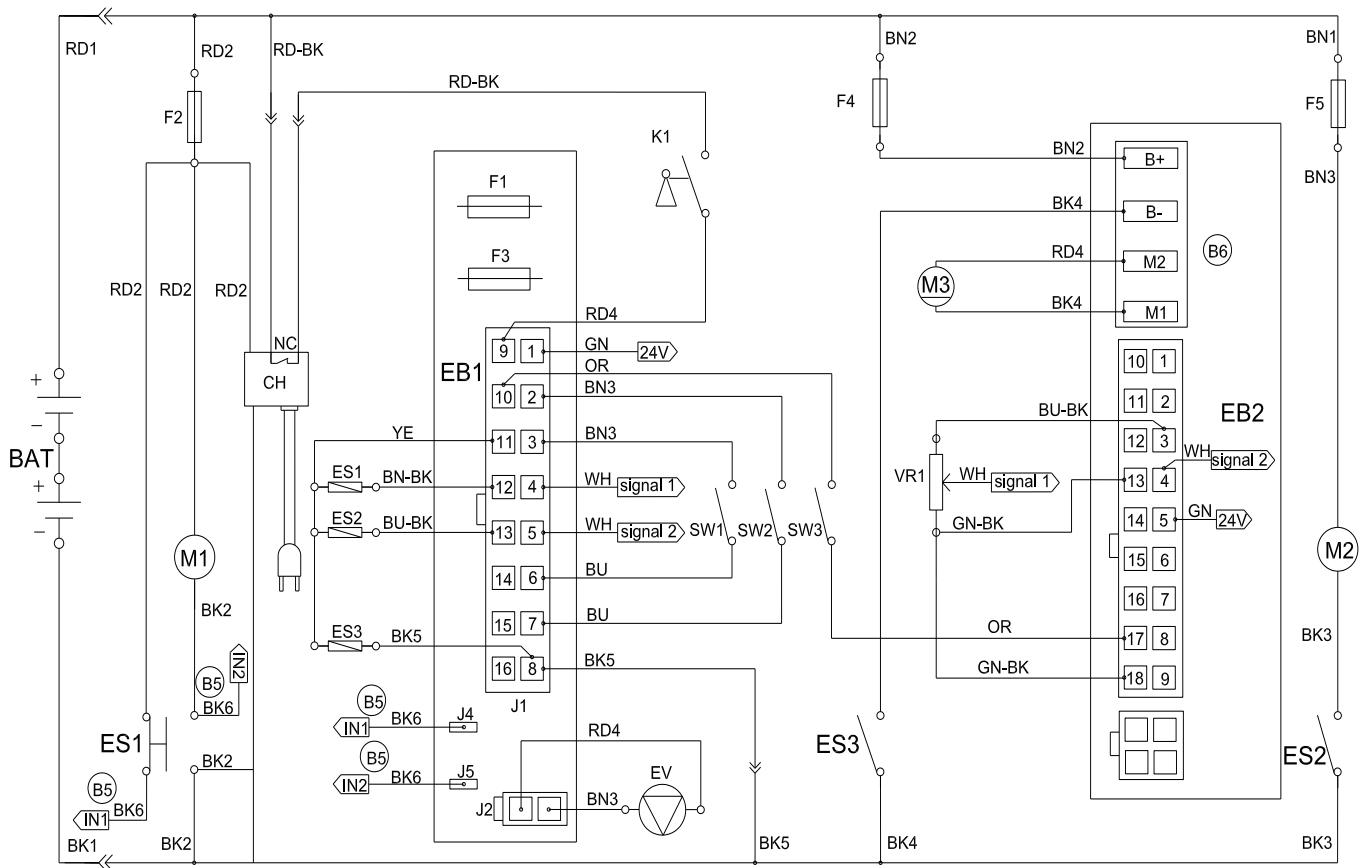
**SCHEMA DE CÂBLAGE (UNIQUEMENT POUR LA MACHINE À DISQUE SANS TRACTION)**



COMPOSANTS	
BAT	BATTERIES DE 24V
CH	CHARGEUR DE BATTERIES
EB1	PANNEAU DE COMMANDE
ES1	COMMUTATEUR ÉLECTROMAGNÉTIQUE DE 24V (MOTEUR DE LA BROSE)
ES2	RELAIS DE 24V (MOTEUR DE L'ASPIRATEUR)
F1	FUSIBLE DU FAIBLE CIRCUIT ÉLECTRIQUE
F2	DISJONCTEUR (MOTEUR DE LA BROSE)
F3	FUSIBLE À RELÂCHEMENT DE LA BROSE
F5	DISJONCTEUR (MOTEUR DE L'ASPIRATEUR)
C1	CLÉ DE CONTACT
M1	MOTEUR DE LA BROSE
M2	MOTEUR DE L'ASPIRATEUR
EV	ÉLECTROVANNE
SW1	COMMUTATEUR DE SÉCURITÉ (BROSSE)
SW2	COMMUTATEUR DE SÉCURITÉ (BROSSE)

JAUGE	
RD1	ROUGE/6AWG
RD2	ROUGE/10AWG
RD4	ROUGE/20AWG
BK1	NOIRE/6AWG
BK2	NOIR/10AWG
BK3	NOIR/12AWG
BK5	NOIR/20AWG
BK6	NOIR/16AWG
RD-BK	ROUGE-NOIR/20AWG
BN1	MARRON/12AWG
BN3	MARRON/20AWG
BN-BK	MARRON-NOIR/20AWG
BU	BLEU/20AWG
BU-BK	BLEU-NOIR/20AWG
YE	JAUNE/20AWG
WH	BLANC/20AWG

**SCHEMA DE CÂBLAGE (UNIQUEMENT POUR LA MACHINE À DISQUE AVEC TRACTION)**



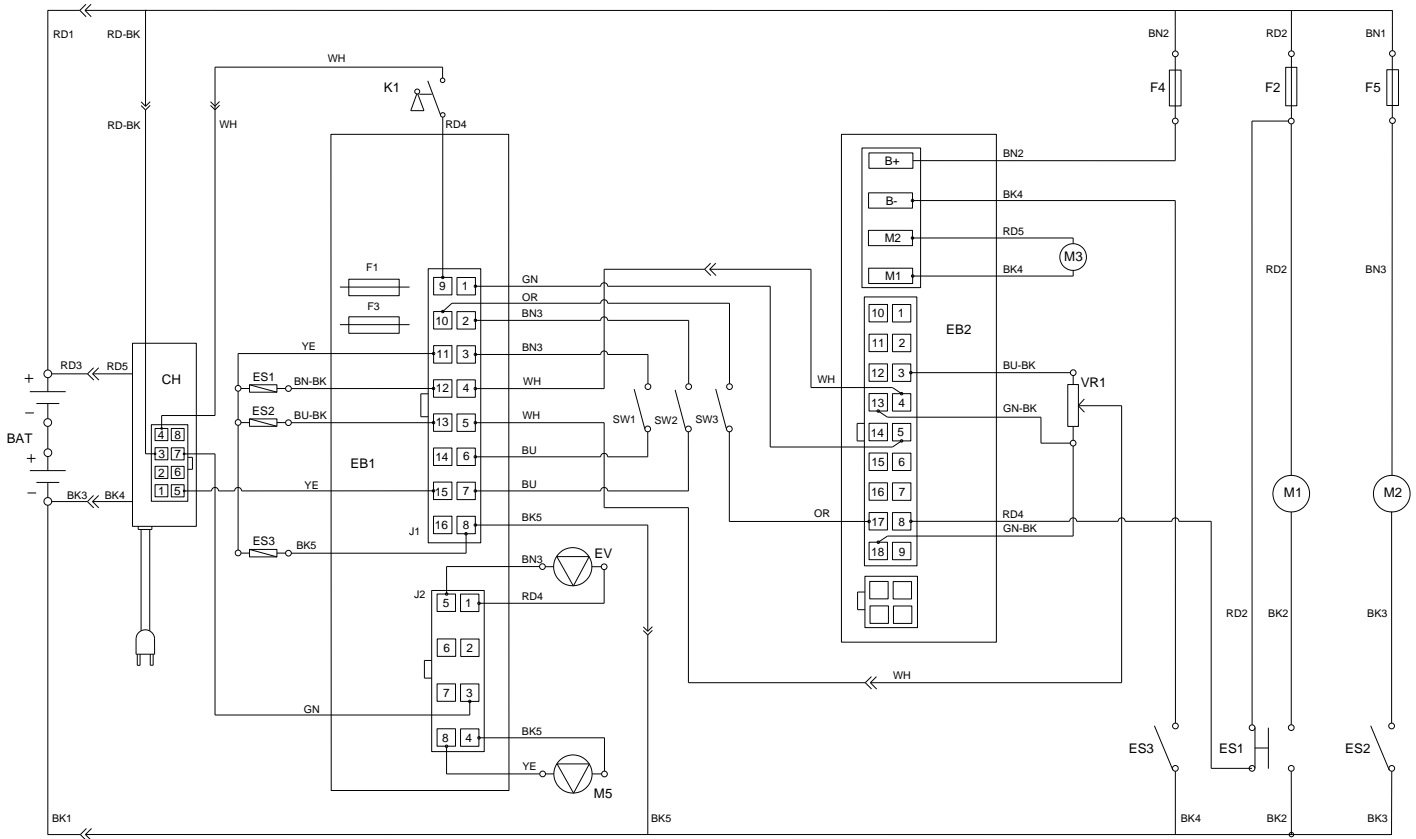
**COMPOSANTS**

BAT	BATTERIES DE 24V
CH	CHARGEUR DE BATTERIES
EB1	PANNEAU DE COMMANDE
EB2	CIRCUIT ÉLECTRONIQUE (SYSTÈME DE TRACTION)
ES1	COMMUTATEUR ÉLECTROMAGNÉTIQUE DE 24V (MOTEUR DE LA BROSSE)
ES2	RELAIS DE 24V (MOTEUR DE L'ASPIRATEUR)
ES3	RELAIS DE 24V (SYSTÈME DE TRACTION)
F1	FUSIBLE DU FAIBLE CIRCUIT ÉLECTRIQUE
F2	DISJONCTEUR (MOTEUR DE LA BROSSE)
F3	FUSIBLE À RELÂCHEMENT DE LA BROSSE
F4	DISJONCTEUR (SYSTÈME DE TRACTION)
F5	DISJONCTEUR (MOTEUR DE L'ASPIRATEUR)
C1	CLÉ DE CONTACT
M1	MOTEUR DE LA BROSSE
M2	MOTEUR DE L'ASPIRATEUR
M3	MOTEUR D'ENTRAÎNEMENT
EV	ÉLECTROVANNE
SW1	COMMUTATEUR DE SÉCURITÉ (BROSSE/TRACTION)
SW2	COMMUTATEUR DE SÉCURITÉ (BROSSE/TRACTION)
SW3	CONTACTEUR-INVERSEUR
VR1	POTENTIOMÈTRE DE VITESSE

**JAUGE**

RD1	ROUGE/6AWG
RD2	ROUGE/10AWG
RD4	ROUGE/20AWG
BK1	NOIRE/6AWG
BK2	NOIR/10AWG
BK3	NOIR/12AWG
BK4	NOIR/14AWG
BK5	NOIR/20AWG
BK6	NOIR/16AWG
RD-BK	ROUGE-NOIR/20AWG
GN	VERT/20AWG
GN-BK	VERT-NOIR/20AWG
BN1	MARRON/12AWG
BN2	NOIR/14AWG
BN3	MARRON/20AWG
BN-BK	MARRON-NOIR/20AWG
BU	BLEU/20AWG
BU-BK	BLEU-NOIR/20AWG
OU	ORANGE/20AWG
YE	JAUNE/20AWG
WH	BLANC/20AWG

**SCHEMA DE CÂBLAGE (UNIQUEMENT POUR LA MACHINE ORBITALE)**



COMPOSANTS		
Clé	CODE	Description
BAT	N/A	BATTERIES DE 24 V
CH	VS10262	CHARGEUR DE BATTERIES
EB1	VS13201	PANNEAU DE COMMANDE
EB2	VS13215	CIRCUIT ÉLECTRONIQUE (SYSTÈME DE TRACTION)
ES1	9095127000	COMMUTATEUR ÉLECTROMAGNÉTIQUE DE 24 V (MOTEUR DE LA BROSE)
ES2	VS10201	RELAIS DE 24 V (MOTEUR D'ASPIRATION)
ES3	VS10201	RELAIS DE 24 V (SYSTÈME DE TRACTION)
F1	VS13208	FUSIBLE DU CIRCUIT À FAIBLE PUISSANCE
F2	ZD48320	DISJONCTEUR (MOTEUR DE LA BROSE)
F3	VS13208	FUSIBLE DU MOTEUR DE LEVAGE DE BROSE
F4	VF99010C	DISJONCTEUR (SYSTÈME DE TRACTION)
F5	ZD48320	DISJONCTEUR (MOTEUR D'ASPIRATION)
K1	9100001354	INTERRUPTEUR À CLÉ
M1	VS10702	MOTEUR DE LA BROSE
M2	VF90520	MOTEUR D'ASPIRATION
M3	VS11702	MOTEUR D'ENTRAÎNEMENT
EV	VF90282	ÉLECTROVANNE
N/A	N/A	N/A
M5	VS10703	MOTEUR DE LEVAGE DE BROSE
SW1	VS10202	INTERRUPTEUR DE SÉCURITÉ (BROSSE/TRACTION)
SW2	VS10202	INTERRUPTEUR DE SÉCURITÉ (BROSSE/TRACTION)
SW3	VS10202	COMMUTATEUR-INVERSEUR
VR1	VS10213	POTENTIOMÈTRE DE VITESSE

JAUGE	
RD1	ROUGE/6 AWG
RD2	ROUGE/10 AWG
RD3	ROUGE/12 AWG
RD4	ROUGE/20 AWG
RD5	ROUGE/14 AWG
BK1	NOIR/6 AWG
BK2	NOIR/10 AWG
BK3	NOIR/12 AWG
BK4	NOIR/14 AWG
BK5	NOIR/20 AWG
BK6	NOIR/16 AWG
RD-BK	ROUGE-NOIR/20 AWG
GN	VERT/20 AWG
GN-BK	VERT-NOIR/20 AWG
BN1	MARRON/12 AWG
BN2	NOIR/14 AWG
BN3	MARRON/20 AWG
BN-BK	MARRON-NOIR/20 AWG
BU	BLEU/20 AWG
BU-BK	BLEU-NOIR/20 AWG
OU	ORANGE/20 AWG
YE	JAUNE/20 AWG
WH	BLANC/20 AWG



## GUIDE D'UTILISATION

**AVERTISSEMENT!**

À certains endroits de la machine il y a des plaques adhésives indiquant:

- DANGER!
- AVERTISSEMENT!
- ATTENTION!
- CONSULTATION

En lisant ce manuel, l'opérateur doit prêter une attention particulière aux symboles figurant sur les plaques. Ne pas couvrir ces plaques pour une raison quelconque et les remplacer immédiatement en cas de détérioration.

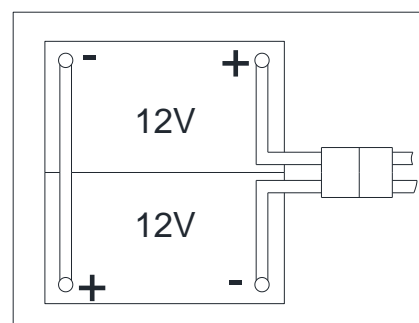
## VÉRIFICATION/RÉGLAGE DE LA BATTERIE SUR UNE NOUVELLE MACHINE

**AVERTISSEMENT!**

Les composants électriques de la machine peuvent être sérieusement endommagés si les batteries sont soit mal installées ou mal connectées. Les batteries doivent être uniquement installées par un personnel qualifié. Régler le circuit électronique et le chargeur intégré selon le type de batteries utilisées (batteries AVEC ENTRETIEN ou GEL/AGM). Vérifier l'état des batteries avant l'installation. Débrancher la prise de la batterie et la fiche du chargeur de batterie. Manipuler les batteries avec précaution. Installer les capuchons de protection des bornes de la batterie fournis avec la machine.

**REMARQUE**

La machine nécessite deux batteries de 12 V, connectées selon le schéma (Figure 3).



**Figure 3**

La machine peut être fournie dans l'un des modes suivants:

**A) Batteries (AVEC ENTRETIEN ou GEL/AGM) déjà installées et chargées**

1. Vérifier que les batteries soient connectées à l'appareil avec le connecteur (54).
2. Insérer la clé de contact (35) et la tourner sur "I". Si le témoin lumineux vert (38) s'allume, les batteries sont complètement chargées. Si le témoin lumineux LED jaune (37) ou rouge (36) s'allume, les batteries doivent être chargées (voir la procédure au chapitre Entretien).

**B) Sans batterie**

1. Acheter des batteries appropriées (Voir le paragraphe Données Techniques).
2. Pour le choix et l'installation des batteries, contacter des fournisseurs de batteries agréés.
3. Régler la machine et le chargeur de batterie en fonction du type de batteries (AVEC ENTRETIEN ou GEL/AGM), comme indiqué dans le paragraphe suivant.

**INSTALLATION DES BATTERIES ET RÉGLAGE DU TYPE DE BATTERIE (AVEC ENTRETIEN OU GEL/AGM)**

Selon le type de batteries (AVEC ENTRETIEN ou GEL/AGM), régler la machine et le circuit électronique du chargeur de batterie comme suit: **(uniquement pour la machine à disque)**

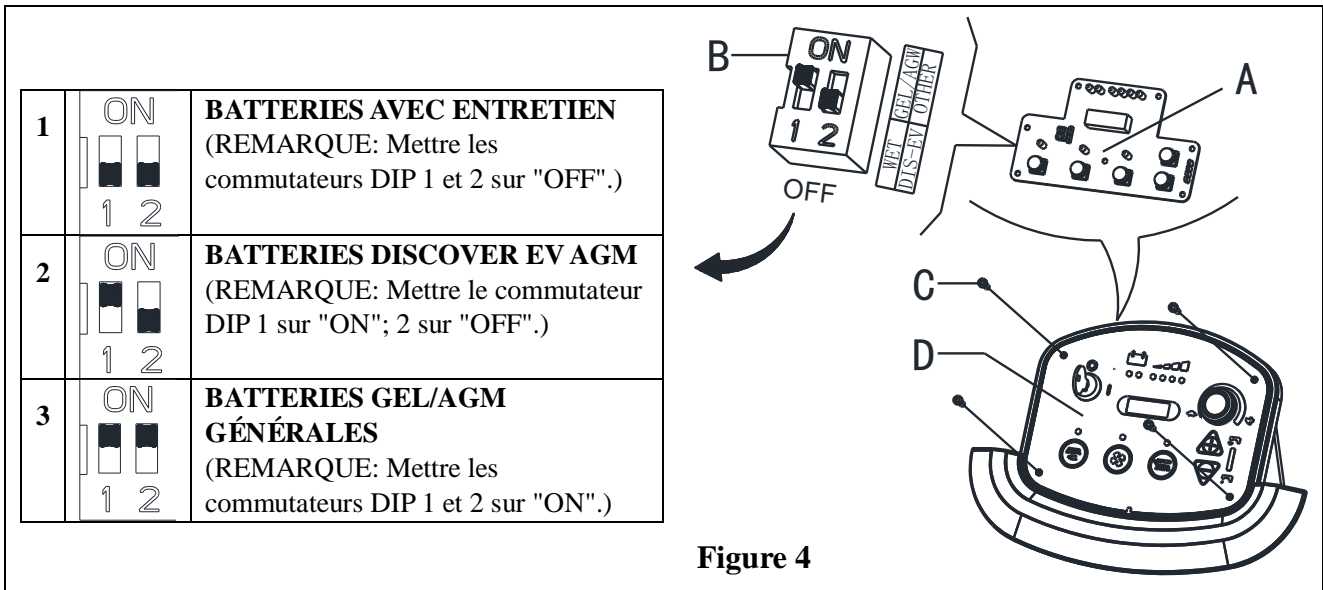


Figure 4



**REMARQUE**

Lorsque de l'installation de nouvelles batteries, veuillez vous référer à la figure 4 pour régler les commutateurs DIP. Sinon, les batteries peuvent être endommagées.

**Réglage de la machine (uniquement pour la machine à disque)**

1. Tourner la clé de contact (35) sur "I" et dans les toutes premières secondes de fonctionnement de la machine, prêter attention à ce qui suit:
  - Si le témoin lumineux vert (38) clignote, la machine est réglée sur GEL/AGM.
  - Si le témoin lumineux jaune (37) clignote, la machine est réglée sur Discover EV AGM.
  - Si le témoin lumineux rouge (36) clignote, la machine est réglée sur batteries AVEC ENTRETIEN.
2. Si le réglage a besoin d'être modifié effectuer la procédure décrite.
3. Le réglage d'usine est pour les batteries AVEC ENTRETIEN.  
Si le réglage correspond à l'installation de la batterie, passer directement à l'étape 6. Sinon, suivre les prochaines étapes 4~5.
4. Dévisser les vis sur le panneau de commande (C, Figure 4), puis retournez le PCB (A Figure 4) pour trouver le commutateur DIP (B, Figure 4) pour régler le type de batterie (AVEC ENTRETIEN OU Discover EV AGM ou GEL), (Se référer à 1 ou 2 ou 3).
5. Si le réglage est achevé se rendre à l'option de batterie. Installer les vis sur le panneau de commande.

**Chargement des batteries (uniquement pour la machine à disque)**

6. Charger les batteries. (Voir les procédures dans le chapitre Entretien).



**MISE EN GARDE !**

Couper toute l'alimentation de la machine avant d'effectuer la procédure suivante !

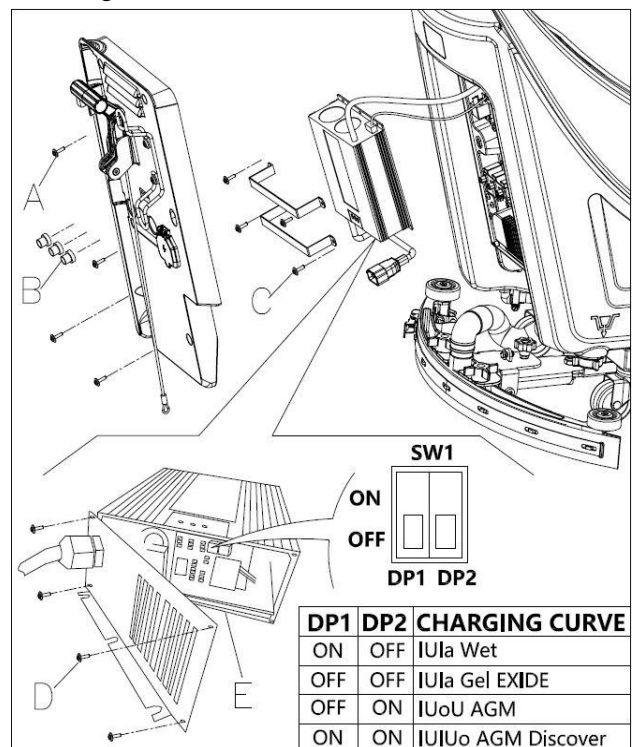


Figure 4.1

**Réglage du chargeur de batterie (pour les machines à disque avec chargeur de batterie embarqué)**

7. Retirer les vis (A, B, C, D, Figure 4.1).
8. Ouvrir le chargeur et localiser sw1(E, Figure 4.1).
9. Régler les commutateurs selon le tableau de (Figure 4.1).
10. Installer les vis (A, B, C, D, Figure 4.1) après le réglage complet.

**SELON LE TYPE DE BATTERIES (AVEC ENTRETIEN OU GEL/AGA), REGLER LA MACHINE COMME SUIT: (uniquement pour la machine orbitale)**



**REMARQUE**

En ce qui concerne le réglage d'usine, découvrir le type de batterie à partir de l'affichage de l'heure de démarrage, selon le tableau ci-dessus

1. Appuyer sur les deux boutons (A, Figure. 4) et (B) en même temps, insérer la clé de contact (D) et allumer l'alimentation ; après 0,5 seconde, accéder au mode de réglage de la batterie. Affichage LED pendant le réglage (C), relâcher les boutons.
2. Le mode peut passer de 0 à 5 en appuyant sur le bouton (B), ou passer de 5 à 0 en appuyant sur le bouton (A). Une fois le réglage du mode de batterie terminé, couper l'alimentation (D) et le nouveau réglage du mode de batterie peut être sauvegardé automatiquement.
3. Le réglage du type de batterie est terminé

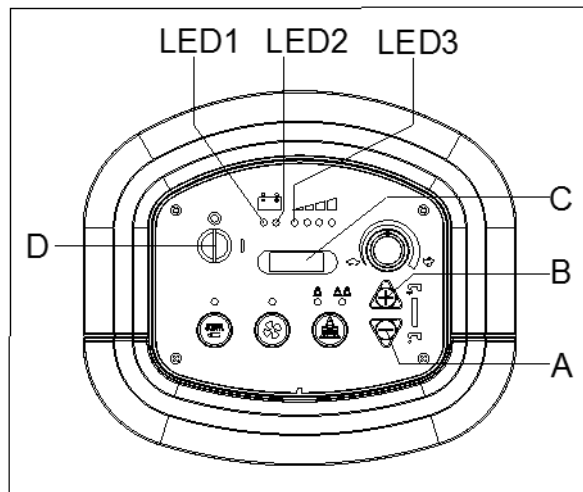


Figure 4.2

Mode	Type de batterie/Fabricant de batterie	Courbe de charge de la batterie	Affichage LED pendant le réglage (C, Figure. 4.2)	Affichage de l'heure de démarrage
0	AVEC ENTRETIEN	Courbe AVEC ENTRETIEN générale	UET 0	LED1 clignote deux fois
1	AVEC ENTRETIEN/AGM	Courbe AVEC ENTRETIEN/AGM générale	AGM 1	LED2 clignote deux fois
2	DÉCOUVRIR	DÉCOUVRIR	d 15 2	LED3 clignote deux fois
3	OPTIMA	OPTIMA	OPT 3	LED1 et LED2 clignent deux fois
4	EXIDE	EXIDE	EXI 4	LED1 et LED3 clignent deux fois
5	FULLRIVER	FULLRIVER	FUL 5	LED2 et LED3 clignent deux fois

**Installation de la batterie**

1. Ouvrir le couvercle du réservoir de récupération (1) et vérifier si le réservoir de récupération (25) est vide; sinon, le vider avec le tuyau de vidange (22).
2. Fermer le couvercle du réservoir de récupération (1).
3. Basculer le réservoir de récupération (25) avec précaution.
4. La machine est livrée avec des câbles appropriés pour installer les batteries de 2x12V. Mettre soigneusement les batteries dans le compartiment, puis les installer correctement.
5. Installer le câble de la batterie comme indiqué dans (Figure 3), puis serrer soigneusement l'écrou sur chaque borne de la batterie.
6. Placer le capot de protection sur chaque borne, puis connecter le connecteur de la batterie (54).
7. Abaisser avec précaution le réservoir de récupération (25).

**INSTALLATION ET DÉINSTALLATION DE LA BROSSE / DU SUPPORT DE DISQUE (uniquement pour la machine à disque)****REMARQUE**

Installer soit la brosse (A, Figure 5) ou le plateau support disque (B et C, Figure 5) selon le type de sol à nettoyer.

**MISE EN GARDE !**

Avant l'installation ou la désinstallation de la brosse ou du plateau support disque, s'assurer que tous les interrupteurs de la machine sont en position d'arrêt et lever l'embouchure du sol. L'opérateur doit être muni d'équipements de protection individuelle appropriés tels que des gants, afin de réduire le risque d'accidents.

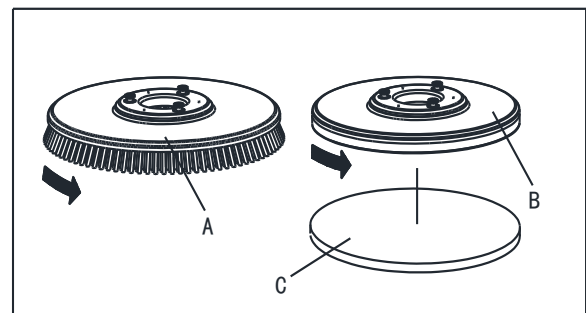
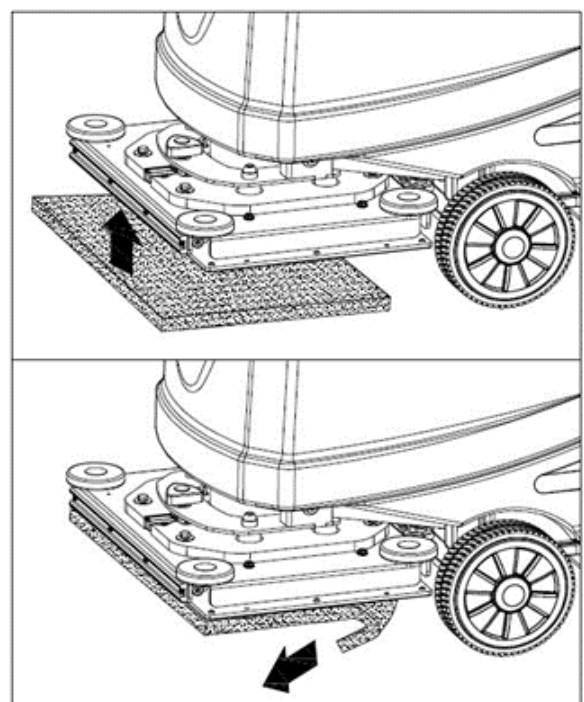
**Procéder comme suit:**

1. Insérer la clé de contact (35) et la tourner sur "O".
2. Soulever la plate-forme en appuyant sur la pédale (9).
3. Le cas échéant, tourner le dispositif de réglage de vitesse (40) au ralenti en le tournant dans le sens anti-horaire.
4. Placer les brosses (A, Figure 5) ou le plateau support disque (B) sous la plate-forme (21).
5. Abaisser la plate-forme sur les brosses/les plateaux support disques en appuyant sur la pédale (9).
6. Tourner la clé de contact (35) sur "I".
7. Appuyer sur le commutateur de la brosse/du plateau support disque et du système d'aspiration (46).
8. Appuyez sur l'un des commutateurs d'entraînement de brosse/avant (34) pour engager la brosse/le plateau support disque, puis le relâcher. Si nécessaire, répéter la procédure jusqu'à ce que les brosses/le plateau support disque soient engagés.
9. Si l'étape N° 8, ci-dessus, s'avère difficile, utiliser la méthode manuelle en tournant la brosse/le plateau support disque dans le sens opposé au sens de rotation normale, et il/elle peut être enlevé(e). (Comme indiqué sur la Figure 5).

**AVERTISSEMENT!**

(Uniquement pour les machines avec traction): Tourner le dispositif de réglage de vitesse (40) dans le sens antihoraire pour entraîner la machine à la vitesse minimale. Appuyer légèrement sur le commutateur (34), sinon la machine commence à se déplacer. Pour engager la brosse/le plateau support disque, appuyer sur le commutateur (34) qui allume le moteur de la brosse/le plateau support disque.

10. Pour retirer la brosse/plateau support disque, soulever la plate-forme en appuyant sur la pédale (9), puis appuyer sur le commutateur (44), la brosse/plateau support disques seront retirés.

**Figure 5****Figure 5.1**

## INSTALLATION ET DÉINSTALLATION DU TAMPON (uniquement pour la machine orbitale)

1. Soulever le pont en appuyant sur l'interrupteur (46).
2. Installer et désinstaller le tampon (A, Figure 5.1)

### AJUSTEMENT DE L'ÉQUILIBRE DE L'EMBOUCHURE

1. Installer l'embouchure et visser l'écrou (H), puis raccorder le tuyau d'aspiration (G) à l'embouchure.
2. Régler l'embouchure par la poignée de réglage (A, Figure 6).
  - a) S'il y a un écart entre le sol et la partie centrale de la lamelle arrière de l'embouchure (B), régler le bouton (A) dans le sens antihoraire (F) jusqu'à ce que toute la partie de lamelle arrière de l'embouchure ait un excellent contact avec le sol, la lamelle avant touchant légèrement le sol.
  - b) S'il y a un écart entre le sol et les deux extrémités de la lamelle arrière (C et D), régler le bouton (A) dans le sens horaire (E) jusqu'à ce que toute la partie de lamelle arrière ait un excellent contact avec le sol, la lamelle avant touchant légèrement le sol.

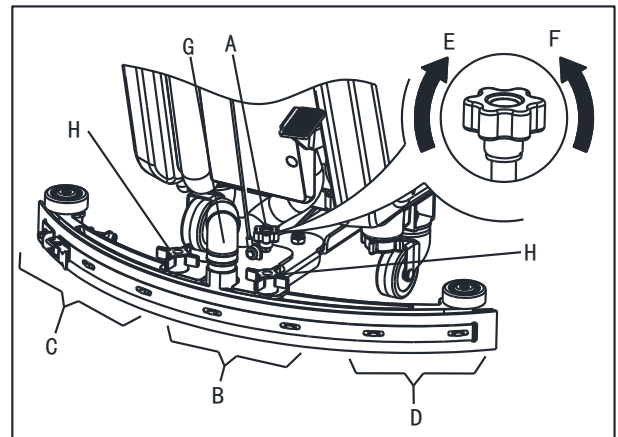


Figure 6

### REPLISSAGE DU RÉSERVOIR AVEC UNE SOLUTION OU DE L'EAU

1. Ouvrir le couvercle d'entrée d'eau (B, Figure 7).
2. Remplir d'eau claire ou de solution en fonction du type d'applications souhaitées.  
La température de la solution ne doit pas dépasser (+40 °C).
3. Ne pas trop remplir le réservoir, se reporter à l'indicateur de niveau d'eau (H) pour le volume d'eau.



#### AVERTISSEMENT!

Utiliser uniquement des détergents peu moussants et non-inflammables, qui sont destinés à des applications de nettoyage en autolaveuse.

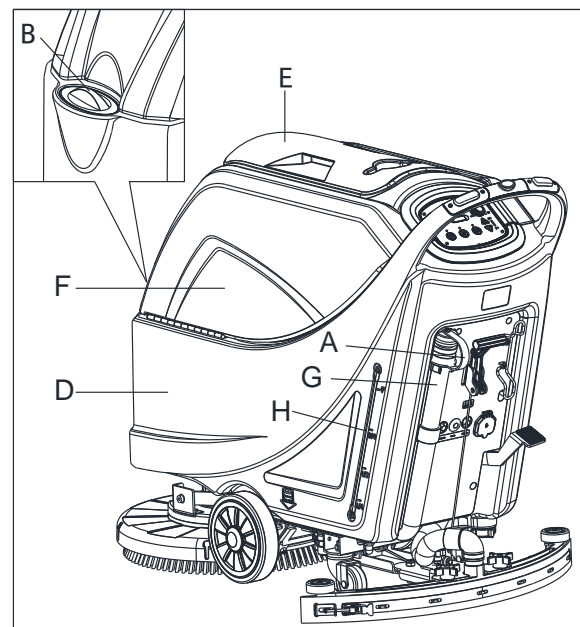


Figure 7

### DÉMARRAGE/ARRÊT DE LA MACHINE

#### Démarrage de la machine

1. Préparer la machine comme indiqué dans le paragraphe précédent.
2. Insérer la clé de contact (A, Figure 8) et la tourner sur "I". Vérifier que le témoin lumineux vert (B) se met en marche (batterie chargée). Si le témoin lumineux LED jaune (C) ou rouge (D) s'allume, retourner la clé de contact sur "0" et charger les batteries (voir la procédure au chapitre Entretien).
3. Conduire la machine jusqu'à la zone de travail:
  - En la poussant avec les mains sur la poignée (E) (uniquement pour les machines sans traction).
  - En la poussant avec les mains sur la poignée (E) et en appuyant sur le commutateur (F) pour avancer, ou en appuyant sur le commutateur (F) avec le commutateur (G) pour reculer (uniquement pour la machine à traction). La vitesse d'avancement peut être réglée avec le dispositif de réglage (H).
4. Abaisser l'embouchure (I) avec le levier (J).
5. Abaisser la plate-forme de la brosse/du plateau support disque (K) en appuyant sur la pédale (L). (uniquement pour la machine à disque)
6. Appuyer sur le commutateur de la brosse/du plateau support disque (M) sur le commutateur du système d'aspiration (N).
7. Appuyer sur les commutateurs de réglage du débit d'eau (O), si nécessaire, en fonction du type de nettoyage à effectuer.
8. Commencer le nettoyage:
  - (uniquement pour les machines sans traction) en poussant la machine avec les mains sur la poignée (E) et en appuyant sur le commutateur (F).

- (uniquement pour les machines avec traction) en poussant la machine avec les mains sur la poignée (E) et en appuyant sur le commutateur (F). Si nécessaire, la vitesse d'avancement peut être réglée avec le dispositif de réglage (H).



**REMARQUE**

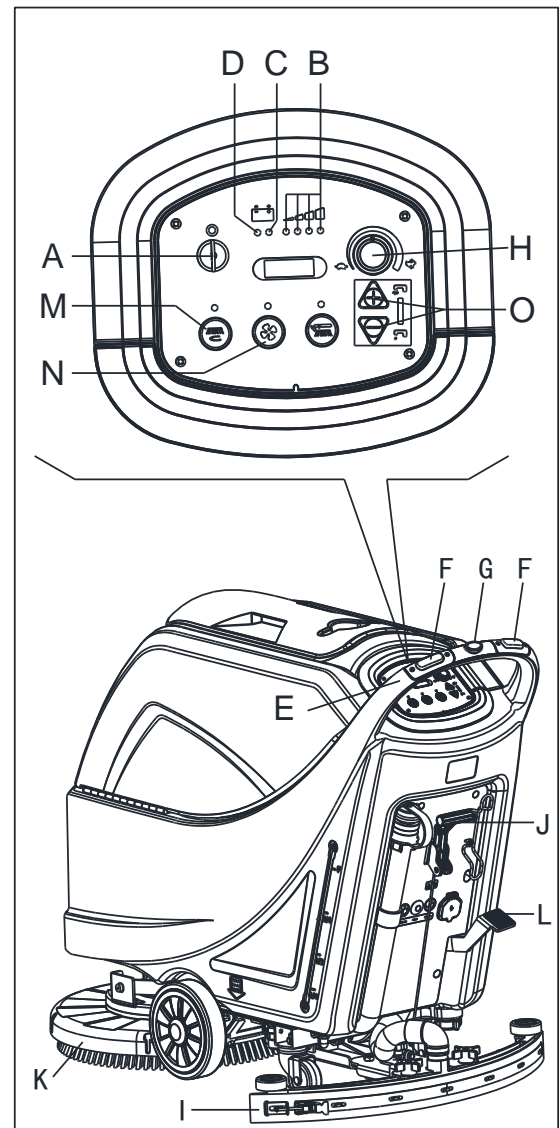
**Pour déplacer la machine vers l'avant, appuyer soit sur le commutateur gauche ou le commutateur droit (F) ou les deux.**

**Arrêt de la machine**

9. Arrêter la machine en utilisant la poignée (E) (uniquement pour les machines sans traction). Arrêter la machine en relâchant les commutateurs (F) (uniquement pour les machines avec traction).
10. Arrêter les brosses et le système d'aspiration en appuyant sur le commutateur (M). Le système d'aspiration s'arrête au bout de quelques secondes.
11. Soulever la plate-forme de la brosse/du plateau support disque (K) en appuyant sur la pédale (L). (uniquement pour la machine à disque)
12. Soulever l'embouchure (I) avec le levier (J).
13. Tourner la clé de contact (A) sur "0".
14. S'assurer que la machine soit bien à l'arrêt.

**AJUSTER LE NIVEAU DU PONT ORBITAL (uniquement pour la machine orbitale)**

1. Abaisser le pont de la brosse/du porte-tampon en appuyant sur l'interrupteur de la brosse/du porte-tampon (M Figure 8).
2. Régler le niveau du pont orbital en ajustant la poignée (A, Figure 8.1), avec la bulle au milieu (B Figure 8.1).



**Figure 8**

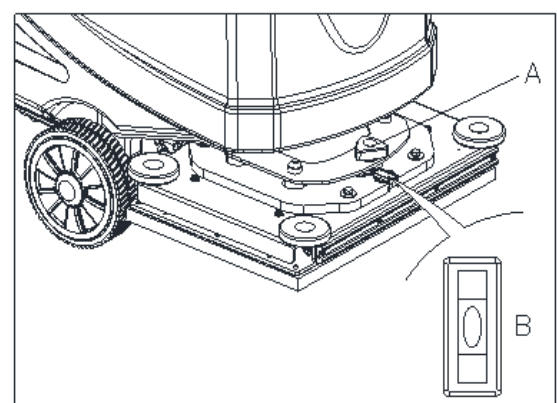
**FONCTIONNEMENT DE LA MACHINE (LAVAGE ET SÉCHAGE)**

1. Démarrer la machine, comme indiqué dans les paragraphes précédents.
2. Tout en gardant les deux mains sur la poignée, appuyer sur l'interrupteur de sécurité (F, Figure 8), puis manœuvrer la machine et commencer à nettoyer/sécher le sol.
3. Si nécessaire, arrêter la machine puis régler l'embouchure selon la section "Régler de l'équilibre de l'embouchure".



**REMARQUE**

**Pour un bon nettoyage/séchage des sols proches des murs, Nilfisk suggère de s'approcher des murs avec le côté droit de la machine (A et B, Figure 9), comme indiqué sur la figure.**

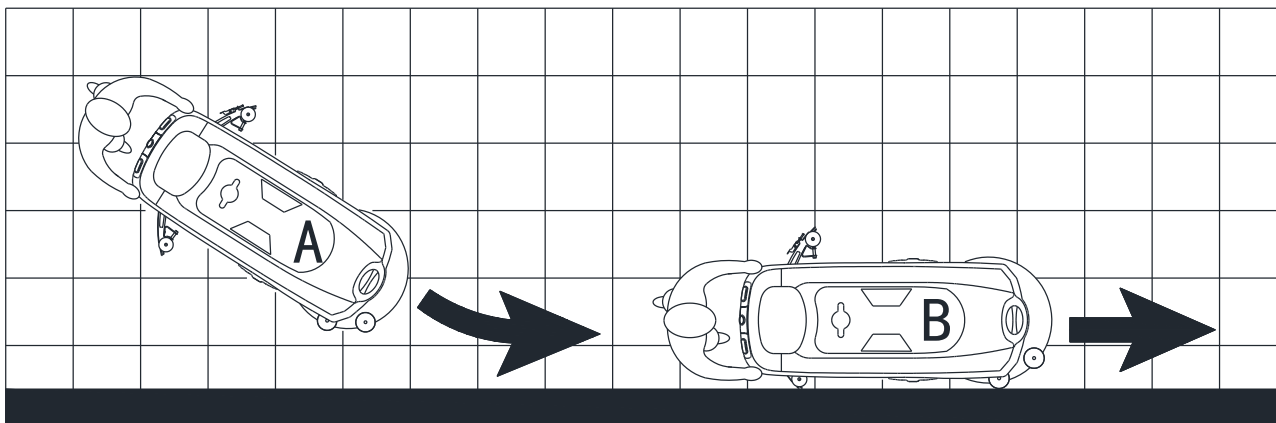


**Figure 8.1**



**MISE EN GARDE !**

Pour éviter d'endommager les sols, ne pas faire fonctionner la brosse en rotation lorsque la machine est arrêtée ; en particulier si l'on travaille avec la fonction "extra-pression" activée.



**Figure 9**

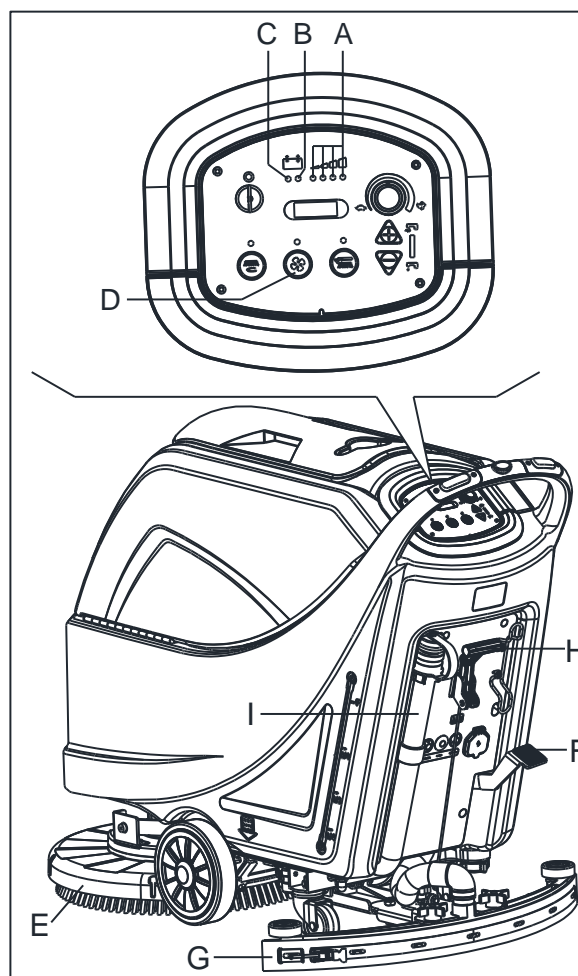
**Decharge de la batterie pendant le fonctionnement**

Jusqu'à ce que le témoin lumineux vert (A, Figure 10) reste allumé, les batteries assurent un fonctionnement normal à la machine. Lorsque le témoin lumineux vert (A) s'éteint, et que le témoin lumineux jaune (B) s'allume, il est conseillé de charger les batteries, car la charge restante ne durera que quelques minutes (en fonction de la batterie et du travail à effectuer). Lorsque le témoin lumineux rouge (C) s'allume, les batteries sont complètement déchargées. Après quelques secondes, la brosse/le plateau support disque est automatiquement arrêté, tandis que le système d'aspiration et (uniquement pour les machine à traction) le système d'entraînement restent allumés, pour terminer le séchage du sol et conduire la machine à la zone de recharge.



**MISE EN GARDE !**

Ne pas utiliser la machine avec des batteries déchargées, pour éviter d'endommager les batteries et de réduire leur durée de vie.



**Figure 10**

**VIDANGE DU RÉSERVOIR**

Un système automatique de fermeture à flotteur (A, Figure 11) bloque le système d'aspiration lorsque le réservoir d'eau de récupération (B) est plein. La désactivation du système d'aspiration est indiquée par une augmentation soudaine du bruit du moteur d'aspiration, le sol aussi n'est pas sec.

**MISE EN GARDE !**

Si le système d'aspiration s'éteint accidentellement (par exemple, lorsque le flotteur est activé en raison d'un mouvement soudain de la machine), pour reprendre l'opération: désactiver le système d'aspiration en appuyant sur le commutateur (D, Figure 10), puis retirer le couvercle (C, Figure 11) et vérifier que le flotteur à l'intérieur de la grille (A) a baissé jusqu'au niveau de l'eau. Ensuite, remettre le couvercle (C) et mettre le système d'aspiration en appuyant sur le commutateur (D, Figure 10).

Lorsque le réservoir d'eau de récupération (B, Figure 11) est plein, le vider selon la procédure suivante.

**Vider le réservoir d'eau de récupération**

1. Arrêter la machine.
2. Soulever la plate-forme de la brosse/du plateau support disque (E, Figure 10) en appuyant sur la pédale (F, Figure 10). (uniquement pour la machine à disque)
3. Soulever l'embouchure (G, Figure 10) avec le levier (H, Figure 10).
4. Conduire la machine jusqu'à la zone de vidage désignée.
5. Vider le réservoir d'eau de récupération avec le tuyau (I, Figure 10). Ensuite, rincer le réservoir (B, Figure 11) avec de l'eau propre.

**MISE EN GARDE !**

Lors de la vidange des eaux usées, le flexible doit être plié (A, Figure 12) et abaissé en position inférieure (B, Figure 12), puis retirer le bouchon du flexible pour d'évacuer l'eau. Ne pas orienter vers le haut le flexible, afin de vidanger l'eau à la verticale et d'éviter que les eaux usées se déversent sur l'opérateur.

6. Effectuer les étapes 1 ne 4.

**Vidange du réservoir de solution/d'eau propre**

7. Vider le réservoir de solution avec le tuyau (A, Figure 13).  
Après avoir travaillé, rincer le réservoir avec de l'eau propre.

**APRÈS UTILISATION DE LA MACHINE**

Après avoir travaillé, avant de quitter la machine:

1. Retirer les brosses/les plateaux supports disques.
2. Vider les réservoirs (B et C, Figure 13), comme indiqué dans le paragraphe précédent.
3. Effectuer les procédures d'entretien quotidien (voir le chapitre Maintenance).
4. Ranger la machine dans un endroit propre et sec, avec les brosses/les plateaux supports disques et l'embouchure, soulevés ou retirés.

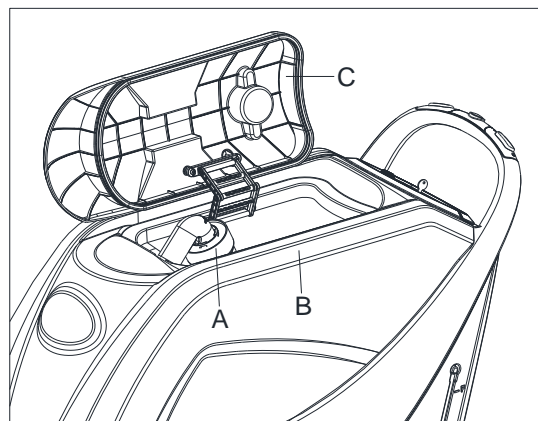


Figure 11

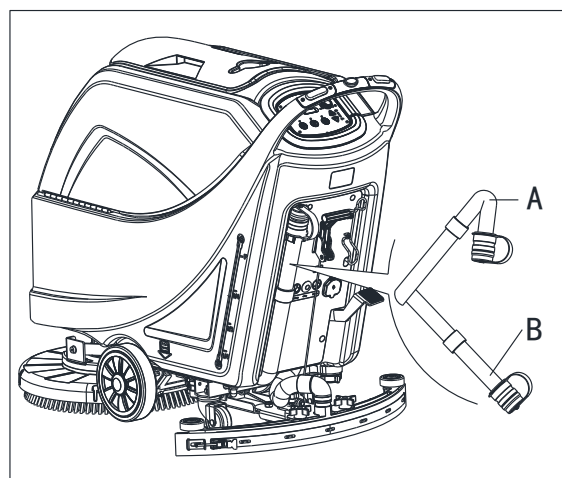


Figure 12

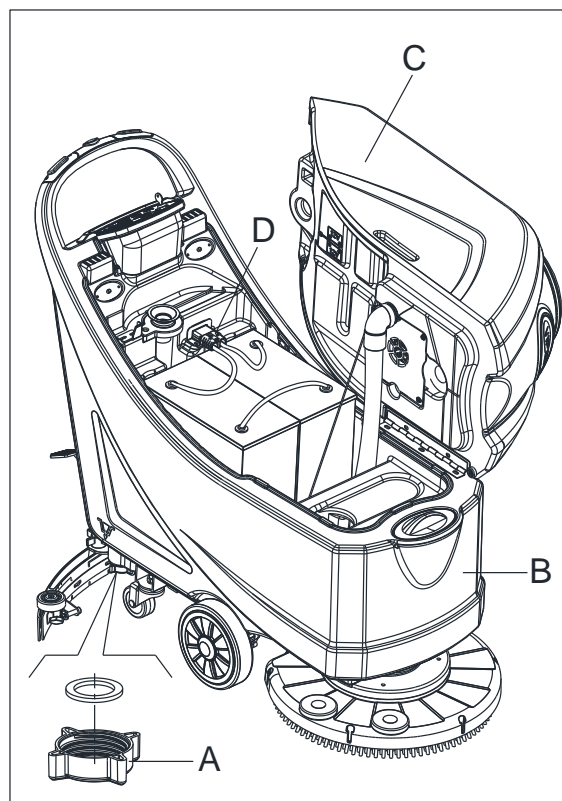


Figure 13



## LONGUE INACTIVITÉ DE LA MACHINE

Si la machine n'est pas utilisée pendant plus de 30 jours, procéder comme suit:

1. Effectuer les procédures indiquées dans le paragraphe "Après Utilisation de la Machine".
2. Débrancher le connecteur de la batterie (54).

## PREMIÈRE PÉRIODE D'UTILISATION

Après les 8 premières heures, vérifier le serrage de la machine et les pièces de liaison pour un serrage correct et vérifier les pièces visibles pour l'usure et les fuites.

## ENTRETIEN



### ATTENTION!

Les procédures d'entretien doivent être effectuées après que la machine ait été éteinte et le câble du chargeur de batterie ait été débranché. En outre, lire attentivement les chapitres de sécurité dans le Manuel.

Toutes les procédures de maintenance programmées ou extraordinaires doivent être effectuées par un personnel qualifié ou un centre de maintenance agréé. Ce manuel ne décrit que les procédures d'entretien générales.

Pour les autres procédures d'entretien qui ne sont pas dans le calendrier d'entretien ci-dessous, veuillez vous référer au manuel d'entretien.

## CALENDRIER D'ENTRETIEN PROGRAMME



### ATTENTION!

La procédure indiquée avec un (1) doit être effectuée lorsque la machine est utilisée après 9 heures pour la première fois. La procédure indiquée avec un (2) doit être faite par un centre de maintenance agréé.

Procédure	Quotidien, après chaque utilisation	Hebdomadaire	semestrielle	Annuelle
Chargement de la batterie				
Nettoyage de l'embouchure				
Nettoyage de la brosse/du disque				
Nettoyage du réservoir				
Inspection de la bande d'étanchéité du réservoir				
Nettoyage du filtre à flotteur				
Nettoyage de tampon				
Vérification et remplacement de l'embouchure				
Nettoyage du filtre à eau				
Nettoyage du filtre d'aspiration				
Vérification du niveau de liquide de la batterie avec entretien				
Inspection de l'étanchéité de la vis et de l'écrou			(1)	
Isolateur inférieur			(2)	
Vérification ou remplacement de la brosse/disque				(2)
Vérification ou remplacement des charbons du moteur de brosse				(2)
Vérification et remplacement des charbons du moteur d'aspiration (uniquement pour machine avec traction)				(2)

## CHARGEMENT DES BATTERIES

**REMARQUE**

Charger les batteries lorsque le témoin lumineux LED jaune (F, Figure 14) ou rouge (G) s'allume, ou lorsque le nettoyage est terminé

**MISE EN GARDE !**

Garder les batteries chargées augmente leur durée de vie.

**MISE EN GARDE !**

Lorsque les batteries sont déchargées, les charger dès que possible. Vérifier la charge de la batterie au moins une fois par semaine.

**AVERTISSEMENT!**

Le chargement de batteries AVEC ENTRETIEN produit un gaz hydrogène très explosif. Charger la batterie dans des endroits bien aérés et loin des flammes. Ne pas fumer pendant le chargement de la batterie. Garder le réservoir ouvert pendant le chargement des batteries.

**AVERTISSEMENT!**

Soignez attentif lors de la recharge de batteries, car il peut y avoir des fuites de liquide de la batterie. Le liquide de la batterie est corrosif. Si cela rentre en contact avec la peau ou les yeux, rincer abondamment avec de l'eau et consulter un médecin.

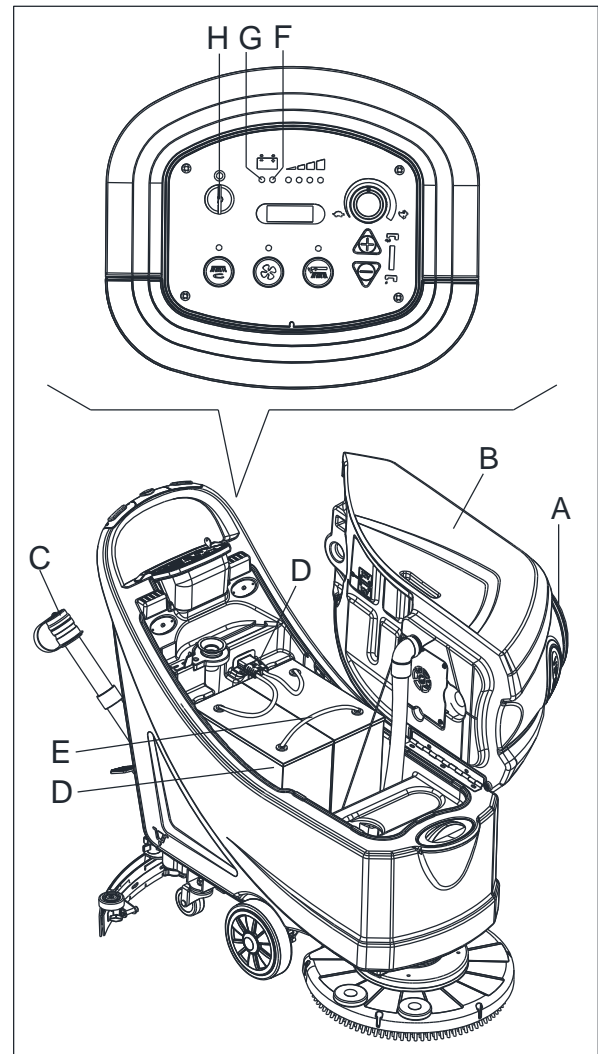


Figure 14

**Procédures préalables**

1. Ouvrir le couvercle (A, Figure 14) et vérifier si le réservoir d'eau de récupération (B) est bien vide; sinon, le vider par le tuyau de vidange (C).
2. Conduire la machine sur un sol nivelé
3. Tourner la clé de contact (H) sur "0".
4. Soulever délicatement le réservoir (B).
5. Pour les batteries AVEC ENTRETIEN uniquement:
  - Vérifier le niveau d'électrolyte dans les piles (D); si nécessaire, en rajouter à travers les bouchons (E).
  - Laisser tous les bouchons de la batterie (E) ouverts pour le chargement suivant.
  - Si nécessaire, nettoyer la surface supérieure des batteries (D).
6. Recharger les batteries selon la procédure suivante.

**Charge de la batterie avec un chargeur intégré**

7. Brancher le câble du chargeur de batterie (A, Figure 15) au réseau électrique (G) (la tension du réseau électrique et la fréquence doivent être compatibles avec les valeurs du chargeur de batterie figurant sur la plaque signalétique portant le numéro de série de la machine (F)). Lorsque le chargeur de batterie est connecté au réseau électrique, toutes les fonctions de la machine sont automatiquement coupées. Si le témoin lumineux rouge (B) sur le panneau de commande du chargeur de batterie reste allumé, le chargeur de batterie est en train de charger les batteries.
8. Lorsque le témoin lumineux vert (C) s'allume, la charge de la batterie est achevée.
9. Lorsque la charge de la batterie est achevée, débrancher le câble du chargeur de batterie (A) du réseau électrique (G) et l'enrouler autour de son support (D).
10. Abaisser avec précaution le réservoir.

**REMARQUE**

Pour plus d'informations sur le fonctionnement du chargeur de batterie (E, Figure 15), voir le Manuel.

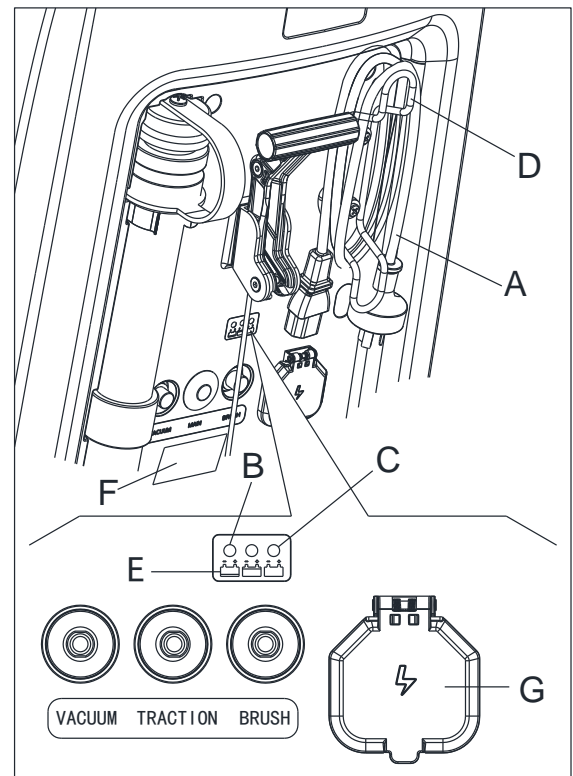


Figure 15

**NETTOYAGE DE LA BROSSE/DU DISQUE****MISE EN GARDE !**

Il est conseillé d'utiliser des gants de protection lors du nettoyage de la brosse/du disque, car il peut y avoir des débris pointus.

1. Retirer la brosse/le disque, comme indiqué dans le chapitre Utilisation.
2. Nettoyer et laver la brosse/le disque avec de l'eau et du détergent.
3. Vérifier que les brosses/les disques sont en état de fonctionnement et pas trop usés; les remplacer si nécessaire.

**NETTOYAGE DU FILTRE DE SOLUTION**

1. Conduire la machine sur un sol nivelé.
2. Faire en sorte que la machine soit éteinte et que la clé de contact (35) soit retirée.
3. Vider le réservoir de solution (Conseil).
4. Retirer le couvercle transparent (D, Figure 16), puis retirer la crépine du filtre (E). Les nettoyer et les installer sur le support (F).

**REMARQUE**

La crépine de filtre (E) doit être correctement positionnée sur le boîtier (H) du support (F).

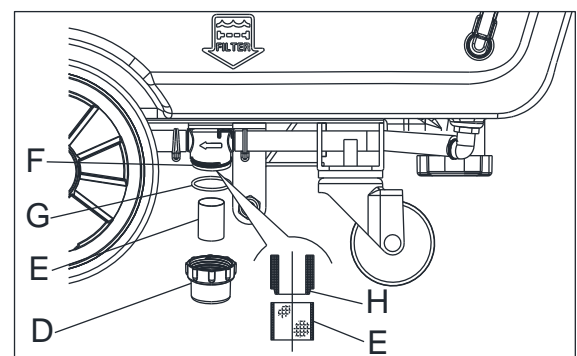


Figure 16

## NETTOYAGE DE L'EMBOUCHURE

**REMARQUE**

L'embouchure doit être propre et ses lamelles doivent être en bonnes conditions afin d'obtenir un bon séchage

**MISE EN GARDE !**

Il est conseillé de porter des gants de protection lors du nettoyage de l'embouchure, car il peut y avoir des débris pointus.

1. Conduire la machine sur un sol nivelé
2. Tourner la clé de contact (A, Figure 17) sur "0".
3. Abaisser l'embouchure (B) avec le levier (C).
4. Desserrer les boutons (D) et retirer l'embouchure (B).
5. Débrancher le tuyau d'aspiration (E) de l'embouchure.
6. Nettoyer l'embouchure en acier ou en aluminium (Figure 18). Nettoyer en particulier les compartiments (A) et le trou (B). Vérifier la lamelle avant (C) et la lamelle arrière (D) dans son ensemble, les coupures et les fissures; si nécessaire les remplacer (voir la procédure dans le paragraphe suivant).
7. Monter l'embouchure dans l'ordre inverse du démontage.

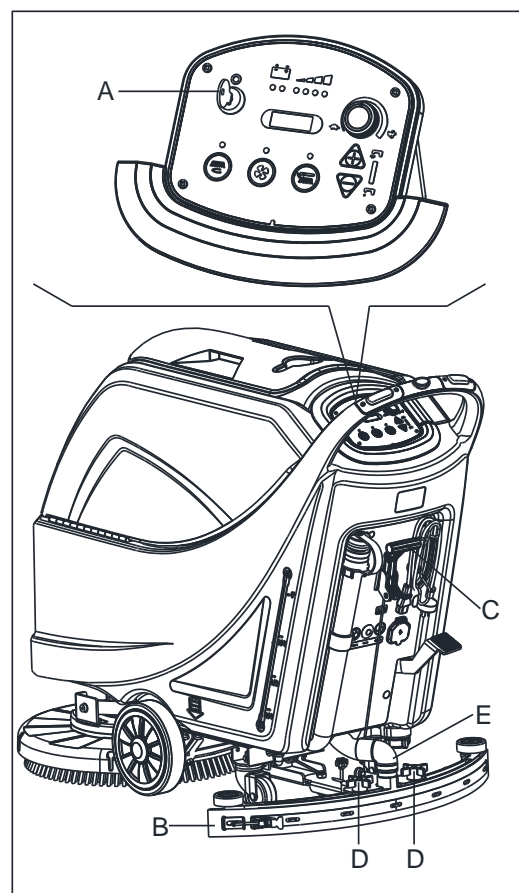


Figure 17

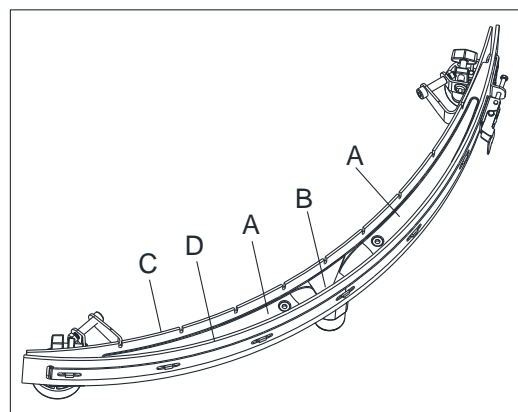


Figure 18

## VÉRIFICATION ET REMPLACEMENT DE LA LAMELLE DE L'EMBOUCHURE

1. Nettoyer l'embouchure en acier ou en aluminium, comme indiqué dans le paragraphe précédent.
2. Vérifier que les bords (E, Figure 20) de la lamelle avant (C) et les bords (F) de la lamelle arrière (D) reposent sur un même niveau, sur toute leur longueur; si nécessaire ajuster leur hauteur selon la procédure suivante:
  - Retirer la tige de traction (G), dégager les éléments de fixation (M) et régler la lamelle arrière (D), puis engager les fixations (M) et installer la tige de traction (G).
  - Desserrer les boutons (I) et régler la lamelle avant (C), puis serrer les boutons.
3. Vérifier l'usure de la lamelle avant (C) et de la lamelle arrière (D); si nécessaire les remplacer. Vérifier que le coin avant (J) de la lamelle arrière (D) ne soit pas usé; si nécessaire, retourner la lamelle pour remplacer le coin usé avec un autre coin. Si les autres coins sont usés, remplacer aussi la lamelle selon la procédure suivante:
  - Retirer la tige de traction (G), dégager les éléments de fixation (M) et retirer la barrette de retenue (K), puis remplacer/retourner la lame arrière (D). Monter l'embouchure dans l'ordre inverse du démontage.
  - Dévisser les boutons (I) et retirer la barrette de retenue (L), puis remplacer la lamelle avant (C). Monter l'embouchure dans l'ordre inverse du démontage. Après le remplacement de la lamelle (ou retournement), ajuster la hauteur, comme indiqué dans l'étape précédente.
4. Connecter le tuyau d'aspiration (A, Figure 19) à l'embouchure.
5. Installer l'embouchure (B) et visser les boutons (C).
6. Si nécessaire, régler le bouton de réglage de l'équilibre de l'embouchure (D).

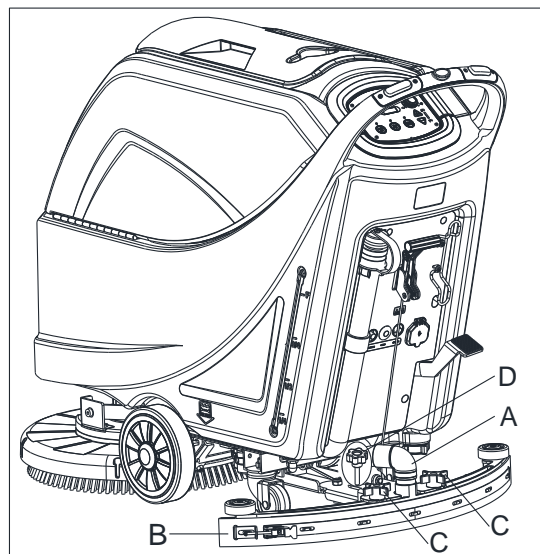


Figure 19

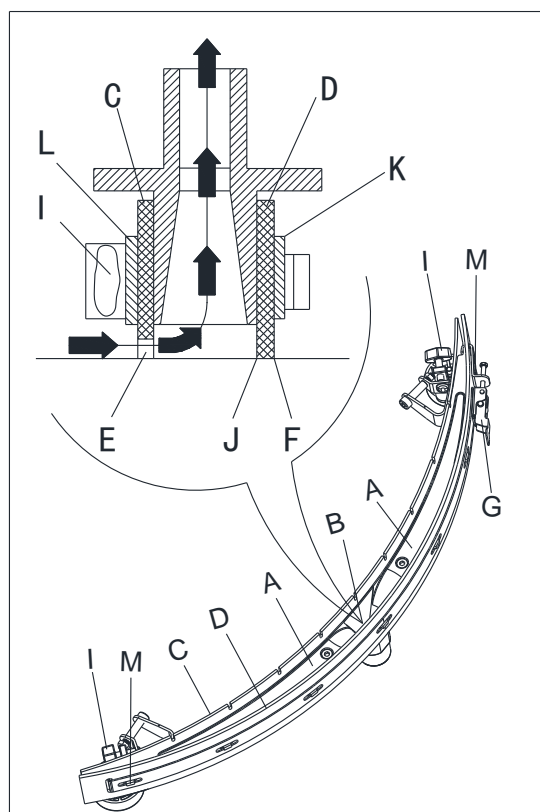


Figure 20

## NETTOYAGE DU RÉSERVOIR ET DE LA GRILLE D'ASPIRATION AVEC LE FLOTTEUR, VÉRIFICATION DU JOINT DE COUVERCLE

1. Conduire la machine sur un sol nivelé.
2. Faire en sorte que la machine soit éteinte et que la clé de contact (54) soit retirée.
3. Basculer le couvercle du réservoir de récupération (A, Figure 21) position -90 degrés où il peut être retiré du réservoir, puis enlever le filtre à flotteur (P) du réservoir.
4. Nettoyer le couvercle du réservoir de récupération (A), le réservoir de récupération (B), le réservoir d'eau propre (C) et le cadre de support du filtre à flotteur (E). Vider le réservoir de récupération avec le tuyau de vidange (B, Figure 23).
5. Si nécessaire, suivre les symboles "OPEN" et "CLOSE" comme indiqué sur la (Figure 21) pour ouvrir le couvercle bas (F) du filtre à flotteur, puis nettoyer le filtre à flotteur (D), le cadre de support du filtre (E) et l'éponge du filtre (I). Après le nettoyage, fixer le filtre à flotteur (D) sur le cadre de support du filtre (E) puis aligner la rainure de marque (L) du capuchon de fond (F) du filtre à flotteur avec la rainure de marque (L) du cadre de support du filtre à flotteur (E). Visser fermement le capuchon de fond du filtre à flotteur, et fixer l'éponge du filtre (I) sur le cadre de support du filtre à flotteur (E). Enfin, le connecter au tuyau d'aspiration des eaux usées (M).
6. Inspecter l'état de la bande d'étanchéité du réservoir.



### REMARQUE

La bande d'étanchéité du réservoir (G) permet de produire le vide à l'intérieur du réservoir lorsque le moteur d'aspiration fonctionne. Le réservoir doit être scellé, pour pouvoir effectivement aspirer l'eau du sol vers le réservoir de récupération.

7. Vérifier si la surface de contact de la bande d'étanchéité (G) a une étanchéité suffisante. Si nécessaire, sortir la bande d'étanchéité du réservoir de la rainure (H) et la remplacer. Assembler la nouvelle bande d'étanchéité comme indiqué sur la (Figure 21), le joint devant être ramené dans la zone médiane.
8. Fermer le couvercle du réservoir de récupération (A).

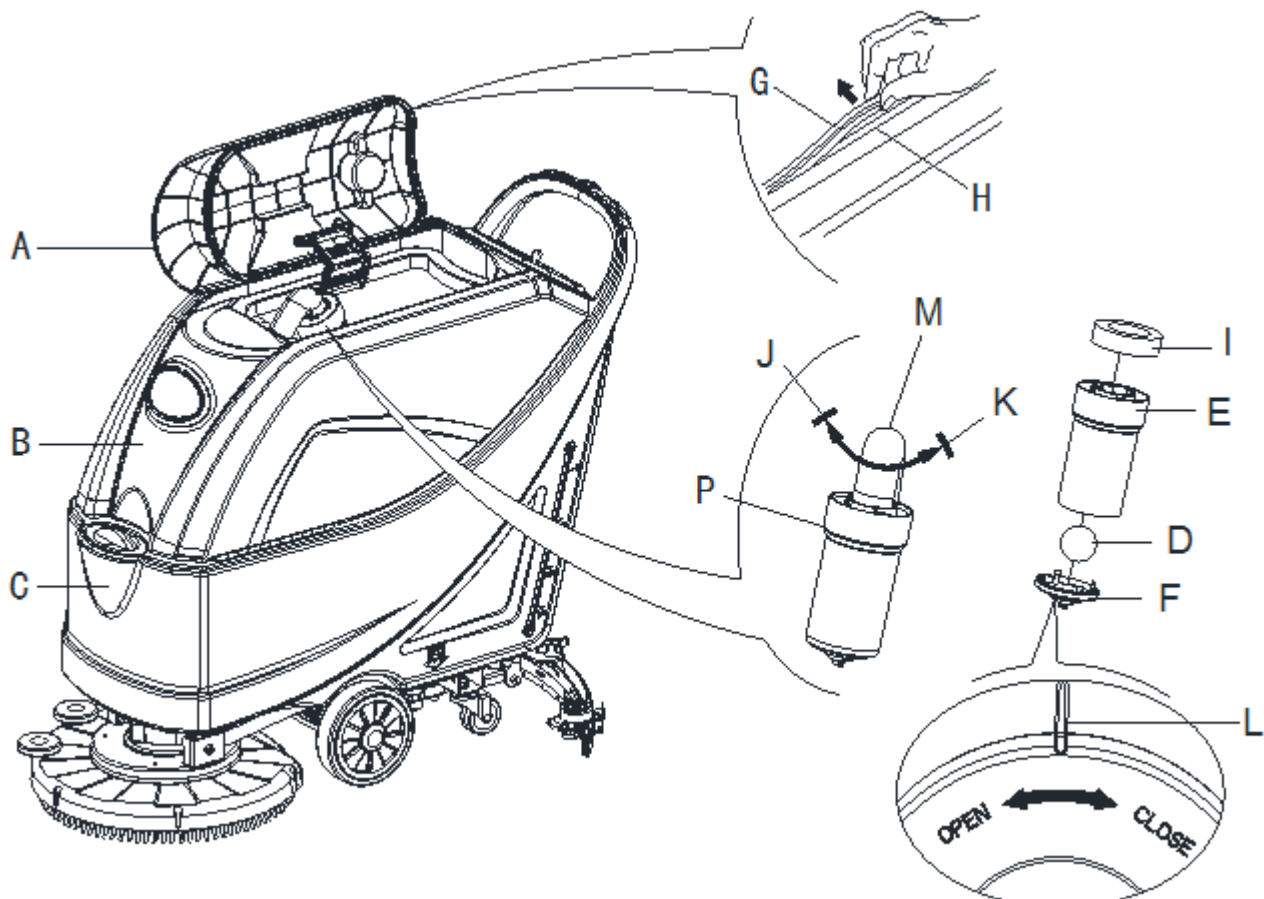


Figure 21

### VÉRIFICATION DES HEURES DE TRAVAIL DE LA MACHINE

1. Tourner la clé de contact (A, Figure 22) sur "I".
2. Appuyer sur le commutateur (B) et lire sur le compteur horaire (C) le nombre total d'heures de travail (lavage/séchage) effectués par la machine.
3. Appuyer encore sur le commutateur (B).
4. Tourner la clé de contact (A) sur "0".

### VÉRIFICATION/REPLACEMENT DU FUSIBLE

1. Tourner la clé de contact (A, Figure 22) sur "0".
2. Débrancher le câble d'alimentation (C, Figure 23) du réseau électrique.
3. Dévisser les vis (C, Figure 24) sur le panneau de commande (r), puis retourner le PCB pour trouver le fusible (A, B, Figure 24).
4. Vérifier/remplacer les fusibles suivants:
  - A) Fusible F1, fusible du circuit électrique: (5A)
  - B) Fusible F3, fusible retrait de la brosse: (20A)
5. Effectuer les étapes 1 à 3 dans l'ordre inverse.
6. Vérifier/appuyer ou remplacer les disjoncteurs suivants:
  - E) Disjoncteur F5, disjoncteur du moteur d'aspiration : (30A) (uniquement pour la machine à disque)
  - F) Disjoncteur F4, disjoncteur du système d'entraînement: (17A) (\*) (uniquement pour la machine à disque)
  - G) Disjoncteur F2, disjoncteur du moteur de la brosse : (30A)

(\*): Uniquement pour les machines avec traction

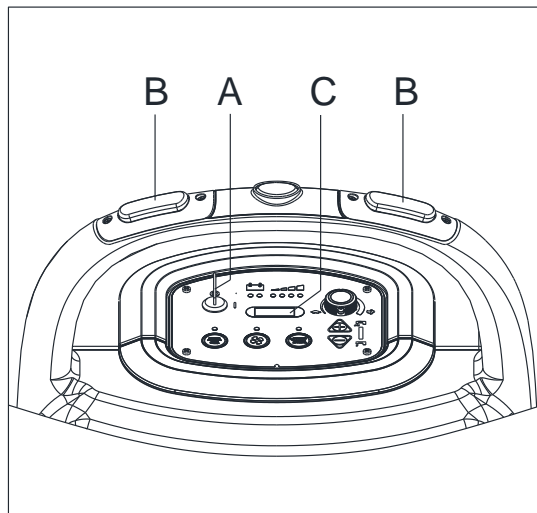


Figure 22

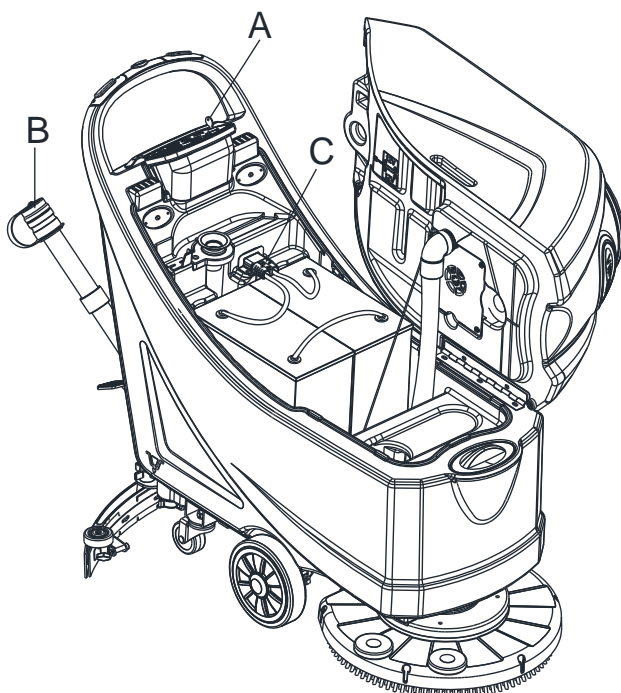


Figure 23

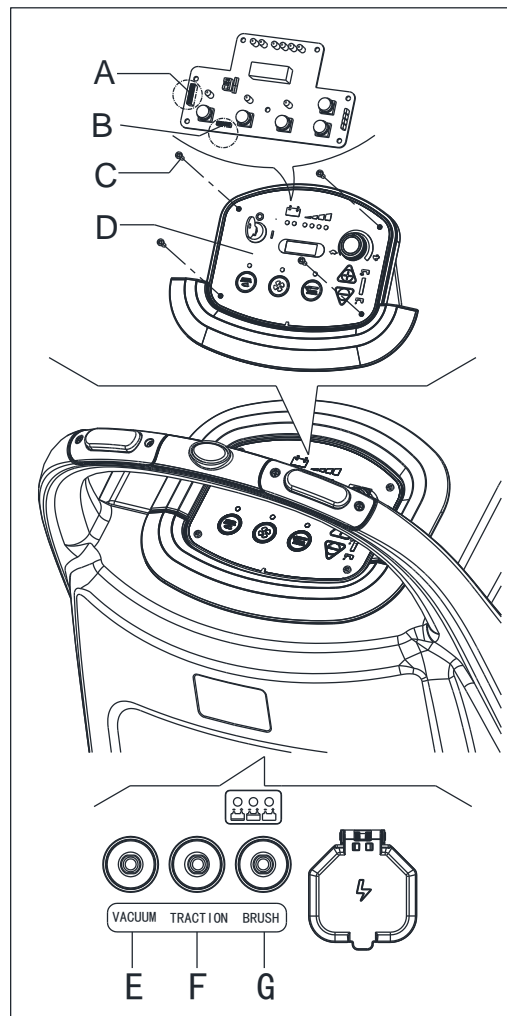


Figure 24

## ACCESSOIRES/OPTIONS

En plus des composants standards, la machine peut être équipée des accessoires/options suivants, selon l'utilisation spécifique de la machine:

Pour de plus amples informations concernant les accessoires optionnels mentionnés ci-dessus, contacter un distributeur agréé

## ACCESSOIRES/OPTIONS

Voir la section "Liste des pièces"

1. Batteries GEL/AGM
2. Disques de différents matériaux

## DÉPANNAGE

Problème	Causes probables	Solution
Les moteurs ne fonctionnent pas; aucun témoin lumineux ne s'allume.	Le connecteur de batterie est débranché	Brancher le connecteur de la batterie.
	Les batteries sont complètement déchargées.	Charger les batteries.
La machine ne se déplace pas (Uniquement pour machine avec traction)	La machine a été allumée à l'aide de la clé de contact et un commutateur est maintenu enfoncé	Tourner la clé de contact sur "0", puis essayer de démarrer à nouveau la machine sans appuyer sur les commutateurs.
Les 3 indicateurs de charge de batterie clignotent simultanément.	Surcharge du moteur de brosse.	Utiliser des brosses moins agressives
	Les matières étrangères (fils emmêlés, etc.) peuvent empêcher la brosse de tourner.	Nettoyer le moyeu de la brosse.
Les brosses ne fonctionnent pas, le témoin lumineux rouge est allumé	Les batteries sont déchargées.	Charger les batteries.
L'aspiration est insuffisante	Le réservoir d'eau de récupération est plein.	Vider le réservoir.
	Le tuyau est débranché de l'embouchure	Connectez le flexible
	La grille d'aspiration est bouchée ou le flotteur est bloqué en position fermée.	Nettoyer la grille ou vérifier le flotteur.
	L'embouchure est sale ou les lamelles de l'embouchure sont usées ou endommagées.	Nettoyer et vérifier l'embouchure.
	Le couvercle du réservoir est mal fermé ou le joint d'étanchéité est endommagé ou le flexible d'aspiration est bouché.	Fermer le couvercle correctement, ou remplacer le joint d'étanchéité ou nettoyer le flexible d'aspiration.
	Le réservoir d'eau de récupération est sale.	Nettoyer le réservoir.
Le débit de la solution aux brosses est insuffisant.	Le filtre de la solution/de l'eau propre est sale.	Nettoyez le filtre.
L'embouchure laisse des traces sur le sol.	Il y a des débris sous les lamelles de l'embouchure.	Enlever les débris.
	Les lamelles de l'embouchure sont usées, détériorées ou déchirées.	Remplacer les lamelles.
	L'embouchure n'a pas été ajustée avec le bouton.	Ajuster l'embouchure.



### REMARQUE

**Une machine avec chargeur intégré ne peut pas fonctionner si le chargeur n'a pas été installé. En cas de dysfonctionnement du chargeur intégré, contacter un centre de maintenance agréé. Pour de plus amples informations, veuillez consulter le manuel de service.**

## RECYCLAGE

Effectuer le recyclage de votre machine par un centre agréé

Avant que la machine ne soit détruite, veuillez à respecter la réglementation en vigueur pour les différents éléments qui la constituent.

- Batterie
- Brosse/plateau support disque
- Tuyau en plastique et pièces en plastique
- Composants électriques et électroniques (\*)

(\*) Veuillez communiquer avec le centre de maintenance de notre société pour toute destruction des composants électriques et électroniques.



## TABLA DE CONTENIDOS

<b>INTRODUCCIÓN.....</b>	<b>56</b>
PROPÓSITO Y CONTENIDOS DE ESTA GUÍA.....	56
CÓMO GUARDAR ESTA GUÍA .....	56
DECLARACIÓN DE CONFORMIDAD .....	56
ACCESORIOS Y MANTENIMIENTO .....	56
CAMBIOS Y MEJORAS.....	56
ÁMBITO DE APLICACIÓN.....	56
DATOS DE IDENTIFICACIÓN DE LA MÁQUINA .....	56
TRANSPORTE Y DESEMBALAJE.....	57
<b>SEGURIDAD.....</b>	<b>57</b>
SÍMBOLOS VISIBLES EN LA MÁQUINA .....	57
SÍMBOLOS QUE APARECEN EN EL MANUAL DE INSTRUCCIONES PARA EL USO .....	57
INSTRUCCIONES GENERALES DE SEGURIDAD.....	58
<b>DESCRIPCIÓN DE LA MÁQUINA .....</b>	<b>60</b>
CONSTRUCCIÓN DE LA MÁQUINA .....	60
PANEL DE CONTROL.....	61
VENTANA DE VISUALIZACIÓN DEL INDICADOR LUMINOSO DEL CARGADOR .....	61
PARÁMETROS TÉCNICOS.....	62
DIAGRAMA DE CABLEADO.....	63
<b>GUÍA DE FUNCIONAMIENTO.....</b>	<b>66</b>
VERIFICACIÓN/CONFIGURACIÓN DE LA BATERÍA EN UNA MÁQUINA NUEVA .....	66
INSTALACIÓN DE LA BATERÍA Y CONFIGURACIÓN DEL TIPO DE BATERÍA (HÚMEDA O DE GEL/AGM) .....	67
SEGÚN EL TIPO DE BATERÍAS (HÚMEDA O GEL/AGM) CONFIGURE LA MÁQUINA .....	68
MONTAJE Y DESMONTAJE DEL PORTACEPILLOS/PORTA-DISCOS .....	69
AJUSTAR EL BALANCE DE LA BOQUILLA DE ASPIRACIÓN.....	70
LLENAR EL DEPÓSITO DE SOLUCIÓN O AGUA DE LAVADO .....	70
PUESTA EN MARCHA Y PARADA DE LA MÁQUINA .....	70
AJUSTE DEL NIVEL DE LA CUBIERTA ORBITAL (SOLO PARA MÁQUINA ORBITAL) .....	71
FUNCIONAMIENTO DE LA MÁQUINA (FREGADO Y SECADO).....	71
VACIAR LOS DEPÓSITOS.....	72
DESPUÉS DE USAR LA MÁQUINA .....	73
INACTIVIDAD PROLONGADA DE LA MÁQUINA .....	74
PRIMER PERÍODO DE USO .....	74
<b>MANTENIMIENTO .....</b>	<b>74</b>
TABLA DE MANTENIMIENTO PROGRAMADO .....	74
CARGAR LA BATERÍA.....	75
LIMPIAR EL CEPILLO/DISCOS .....	76
LIMPIAR EL FILTRO DE SOLUCIÓN .....	76
LIMPIEZA DE LOS LABIOS .....	77
INSPECCIÓN Y CAMBIO DE LAS LÁMINAS DE LA BOQUILLA DE ASPIRACIÓN.....	78
REJILLA DEL DEPÓSITO Y DE LA ASPIRACIÓN CON LIMPIEZA DEL FLOTADOR E INSPECCIÓN DE LA JUNTA DE LA TAPA .....	79
REGISTRO DE LAS HORAS DE FUNCIONAMIENTO DE LA MÁQUINA .....	80
INSPECCIÓN/CAMBIO DEL FUSIBLE .....	80
ACCESORIOS/OPCIONES .....	81
<b>RESOLUCIÓN DE PROBLEMAS .....</b>	<b>81</b>
<b>DESGUACE .....</b>	<b>81</b>

## INTRODUCCIÓN



### PRECAUCIÓN!

Parte de la información general y detallada no está incluida en esta guía. Por favor refiérase al Manual de Instrucciones para el Uso proporcionado en CD-ROM para lectura con Adobe® Reader®.



### NOTA

Los números entre paréntesis hacen referencia a los componentes que se muestran en la sección Descripción de la Máquina.

## PROPÓSITO Y CONTENIDOS DE ESTA GUÍA

El propósito de esta Guía de Inicio Rápido es proporcionar al operador toda la información básica para el uso correcto de la máquina. Para obtener información sobre las características técnicas, el funcionamiento, la inactividad, el mantenimiento, las piezas de repuesto y las condiciones de seguridad, etc. de la máquina, consulte el Manual de Instrucciones para el Uso incluido en el CD-ROM.

Antes de realizar cualquier procedimiento en el equipo, los operadores y el personal calificado deben leer Manual de Instrucciones para el Uso. Póngase en contacto con nuestra empresa en caso de dudas sobre la interpretación de las instrucciones o para cualquier información adicional.

## CÓMO GUARDAR ESTA GUÍA

La Guía de Inicio Rápido debe mantenerse cerca de la máquina, en el interior de una funda adecuada, lejos de líquidos y otras sustancias que puedan ocasionar daños en la misma.

## DECLARACIÓN DE CONFORMIDAD

La Declaración de conformidad se suministra con la máquina y certifica la conformidad de la máquina con la ley vigente.



### NOTA

Las copias de la declaración de conformidad original se proporcionan junto con la documentación de la máquina.

## ACCESORIOS Y MANTENIMIENTO

Todos los procedimientos de operación, mantenimiento y reparación necesarios deben ser realizados por personal calificado o por los centros de servicio designados de nuestra empresa. SOLO se permite el uso de accesorios y piezas de repuesto originales.

Póngase en contacto con el servicio de atención al cliente de nuestra empresa por cualquier servicio o compra de accesorios o piezas de repuesto según necesario.

## CAMBIOS Y MEJORAS

Estamos comprometidos con la mejora continua de nuestros productos, por lo que la compañía se reserva el derecho de aportar cambios y mejoras al producto sin aviso adicional.

## ÁMBITO DE APLICACIÓN

La fregadora está destinada al uso comercial e industrial. Es apropiada para la limpieza de suelos duros y lisos, cuando es operada por personal calificado en las circunstancias de seguridad. No es apta para el uso al aire libre o para la limpieza de alfombras o suelos ásperos.

## DATOS DE IDENTIFICACIÓN DE LA MÁQUINA

El número de serie y el modelo de la máquina aparecen marcados en la etiqueta de serie.

Esta información es útil. Utilice la siguiente tabla para anotar los datos de identificación de la máquina a la hora de comprar piezas de repuesto para la máquina.

MODELO DE LA MÁQUINA.....
NÚMERO DE SERIE DE LA MÁQUINA.....

## TRANSPORTE Y DESEMBALAJE

Cuando el transportista entrega la máquina, asegúrese de que el embalaje y la máquina se encuentran enteros y sin daños. En caso de cualquier daño, avise al transportista sobre el daño y, antes de aceptar las mercancías, resérvese el derecho a ser indemnizado por el daño.

Al desembalar la máquina siga estrictamente las instrucciones en el embalaje.

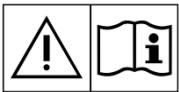
Compruebe el paquete y asegúrese de que los siguientes artículos están incluidos:

1. Documentos técnicos, incluyendo la Guía de Inicio Rápido, el Disco de las Instrucciones para el Uso y el manual del cargador de a bordo si el producto está equipado con un cargador de a bordo.
2. Cable del cargador de a bordo si este se proporciona con el producto.
3. Dos fusibles, el fusible del circuito de baja tensión (5A) y el Fusible de liberación del cepillo (20A).

## SEGURIDAD

Los siguientes símbolos indican situaciones potencialmente peligrosas. Siempre lea atentamente esta información y tome todas las precauciones necesarias para salvaguardar a las personas y las propiedades.

### SÍMBOLOS VISIBLES EN LA MÁQUINA



#### ¡ADVERTENCIA!

Lea detenidamente todas las instrucciones antes de realizar cualquier operación en la máquina.



#### ¡ADVERTENCIA!

No lave la máquina con chorros directos o agua a presión.



#### ¡ADVERTENCIA!

No utilice la máquina en pendientes con un grado de inclinación superior al que se define en la especificación.

### SÍMBOLOS QUE APARECEN EN EL MANUAL DE INSTRUCCIONES PARA EL USO



#### ¡PELIGRO!

Indica una situación peligrosa con riesgo de muerte para el operador.



#### ¡ADVERTENCIA!

Indica un riesgo potencial de lesiones a las personas.



#### ¡PRECAUCIÓN!

Indica una advertencia o una observación relacionada con funciones importantes o útiles. Preste atención a los párrafos marcados con este símbolo.



#### NOTA

Indica una observación relacionada con funciones importantes o útiles.



#### CONSULTA

Indica la necesidad de consultar el manual de instrucciones de uso antes de realizar cualquier procedimiento.

## INSTRUCCIONES GENERALES DE SEGURIDAD

Advertencias y precauciones específicas para informar acerca de los posibles daños a las personas y a la máquina se muestran a continuación.



### PELIGRO!

- Esta máquina debe ser operado por personal capacitado y autorizado de acuerdo con las directrices del manual.
- Antes de realizar cualquier procedimiento de limpieza, mantenimiento, reparación o sustitución, lea todas las instrucciones con cuidado, asegúrese de apagar la máquina y desconectar el conector de la batería.
- No utilice la máquina cerca de polvos, líquidos o vapores tóxicos, peligrosos, inflamables y/o explosivos. Esta máquina no es adecuada para la recogida de polvos peligrosos.
- No use joyas cuando trabaja cerca de componentes eléctricos.
- No opere debajo de la máquina levantada sin apoyarla con soportes de seguridad.
- Cuando se usan baterías de plomo (WET), en condiciones de uso normales estas pueden emitir gases inflamables por lo que hay que mantener las chispas, llamas, materiales humeantes y radiantes, objetos iluminadores y ardientes lejos de las baterías.
- Durante la carga las baterías de plomo (WET) pueden emitir gas hidrógeno que es explosivo. Asegúrese de que el entorno de la carga está bien ventilado y lejos de llamas descubiertas.



### ADVERTENCIA!

- Revise cuidadosamente la máquina antes de cada uso. Asegúrese de que todos los componentes se encuentran montados seguramente antes de su uso. En el caso contrario podrán producirse daños a las personas y a las propiedades.
- Antes de utilizar el cargador de baterías, asegúrese de que los valores de frecuencia y voltaje indicados en la etiqueta del número de serie de la máquina coinciden con los de la red eléctrica.
- Nunca mueva la máquina tirando del cable del cargador de la batería. No pase el cable a través de puertas cerradas o enrollarse en bordes o esquinas afiladas. No conduzca la máquina sobre el cable del cargador de la batería. Mantenga el cable del cargador de la batería lejos de superficies calientes. No cargue las baterías si el cable o el enchufe del cargador de la batería están dañados.
- Para reducir el riesgo de incendio, descargas eléctricas o lesiones, asegúrese de que la máquina está apagada antes de salir.
- Utilice o guarde la máquina en interiores en condiciones secas, no está permitido usarla al aire libre.
- La temperatura tanto de almacenamiento como de funcionamiento de la máquina debe ser entre 0 °C y +40 °C, la humedad del aire debe oscilar entre 30% - 95%.
- No utilice la máquina en pendientes con un grado de inclinación superior al que indica la especificación.
- Durante el uso y manipulación de detergentes de limpieza de suelos, siga las instrucciones en las etiquetas de las botellas de detergente y use guantes y protección adecuada.
- Utilice cepillos y discos suministrados con la máquina o definidos en el manual. El uso de otros cepillos o discos podrá reducir la seguridad.

- En caso de mal funcionamiento de la máquina, asegúrese de que la causa no es la falta de mantenimiento. Si hace falta, solicite la asistencia del personal autorizado o se un Centro de Servicio autorizado.
- Tome todas las medidas de precaución para evitar que el cabello, joyas o ropa suelta queden atrapados entre las partes móviles de la máquina.
- No utilice la máquina en áreas excesivamente sucias.  
No lave la máquina con chorros directos o presurizados de agua, o con sustancias corrosivas.
- No choque contra estanterías o andamios, sobre todo cuando existe el riesgo de caída de objetos.
- No se apoye recipientes de líquido en la máquina, utilice el posavasos correspondiente.
- Para evitar daños en el suelo, no permita que el cepillo/almoHADILLA operar mientras la máquina está parada.
- En caso de incendio, use un extintor de polvo seco. No utilice extintores líquidos.
- No retire o modifique las pegatinas de la máquina.
- No manipule las protecciones de seguridad de la máquina y siga las instrucciones de mantenimiento ordinarias estrictamente.
- Preste atención durante el transporte de la máquina cuando la temperatura está por debajo del punto de congelación. El agua en el tanque de recuperación o en los tubos podrá congelarse y dañar la máquina.
- Si se tienen que cambiar algunas piezas, compre piezas de repuesto ORIGINALES de los Distribuidores o Minoristas Autorizados.
- Lleve la máquina al Centro de Servicio si no funciona como de costumbre o está en condiciones de haber sido dañada, dejada al aire libre, caída al agua.
- Para garantizar el funcionamiento correcto y seguro de la máquina, el mantenimiento programado que se muestra en el capítulo correspondiente de este Manual, debe ser realizado por el personal autorizado o un Centro de Servicio autorizado.
- La máquina debe desecharse de forma adecuada, debido a la presencia de materiales tóxicos dañinos (baterías, etc.), que están sujetos a las normas que requieren la eliminación en centros especiales (ver capítulo Desguace).
- Esta máquina es una herramienta de limpieza, no sirve para cualquier otro propósito.
- Siempre mantenga los orificios libres de polvo, pelos y cualquier otro material extraño que podrá reducir el flujo de aire. No utilice la máquina si los orificios están obstruidos.
- Utilice la máquina sólo cuando se proporciona una iluminación adecuada.
- Esta máquina no está diseñada para su uso por personas con capacidades físicas, sensoriales o mentales, o la falta de experiencia y conocimiento, a menos que sean supervisadas o instruidas acerca del uso de la máquina por una persona responsable de su seguridad.
- Preste especial atención al utilizar la máquina cerca de niños.
- Los niños deben ser supervisados para asegurarse de que no jueguen con la máquina.
- Durante el uso de esta máquina, tenga cuidado de no causar daños a personas u objetos.

## DESCRIPCIÓN DE LA MÁQUINA

## CONSTRUCCIÓN DE LA MÁQUINA (como se indica en Figura 1)

1. Tapa del depósito de recogida
2. Recogedor de polvo
3. Manillar
4. Panel de control
5. Placa de número de serie / Datos técnicos
6. Palanca de elevación / descenso de la boquilla de aspiración
7. Soporte para el cable de alimentación
8. Cable de alimentación
9. Pedal de elevación/descenso del grupo de cepillo (solo para la máquina de discos)
  - a) Posición del pedal cuando el grupo de cepillo está elevada
  - b) Posición del pedal cuando el grupo de cepillo está baja
10. Recubrimiento de desagüe
11. Botones de boquilla de aspiración
12. Etiqueta de reinicio
13. Manguera de aspiración out
14. Labios de goma
15. Perilla de balance de la boquilla de aspiración
16. Conector de PA
17. Ruedas traseras direccionales
18. Filtro de solución
19. Ruedas delanteras en eje fijo (A).  
Ruedas motrices (B)
20. Portacepillos/porta-discos
21. Plataforma del portacepillos/porta-discos
22. Manguera de desagüe del agua de recogida
23. Depósito de solución
24. Bisagra
25. Depósito de recogida
26. Filtro de metal
27. Soporte del tubo de llenado
28. Entrada de agua limpia
29. Cerdas antisalpicaduras 510mm
30. Junta de la tapa del tanque
31. Filtro con boya
32. Válvula electromagnética

(\*): Opcional

(A): Solo para máquinas sin tracción

(B): Solo para máquinas con tracción

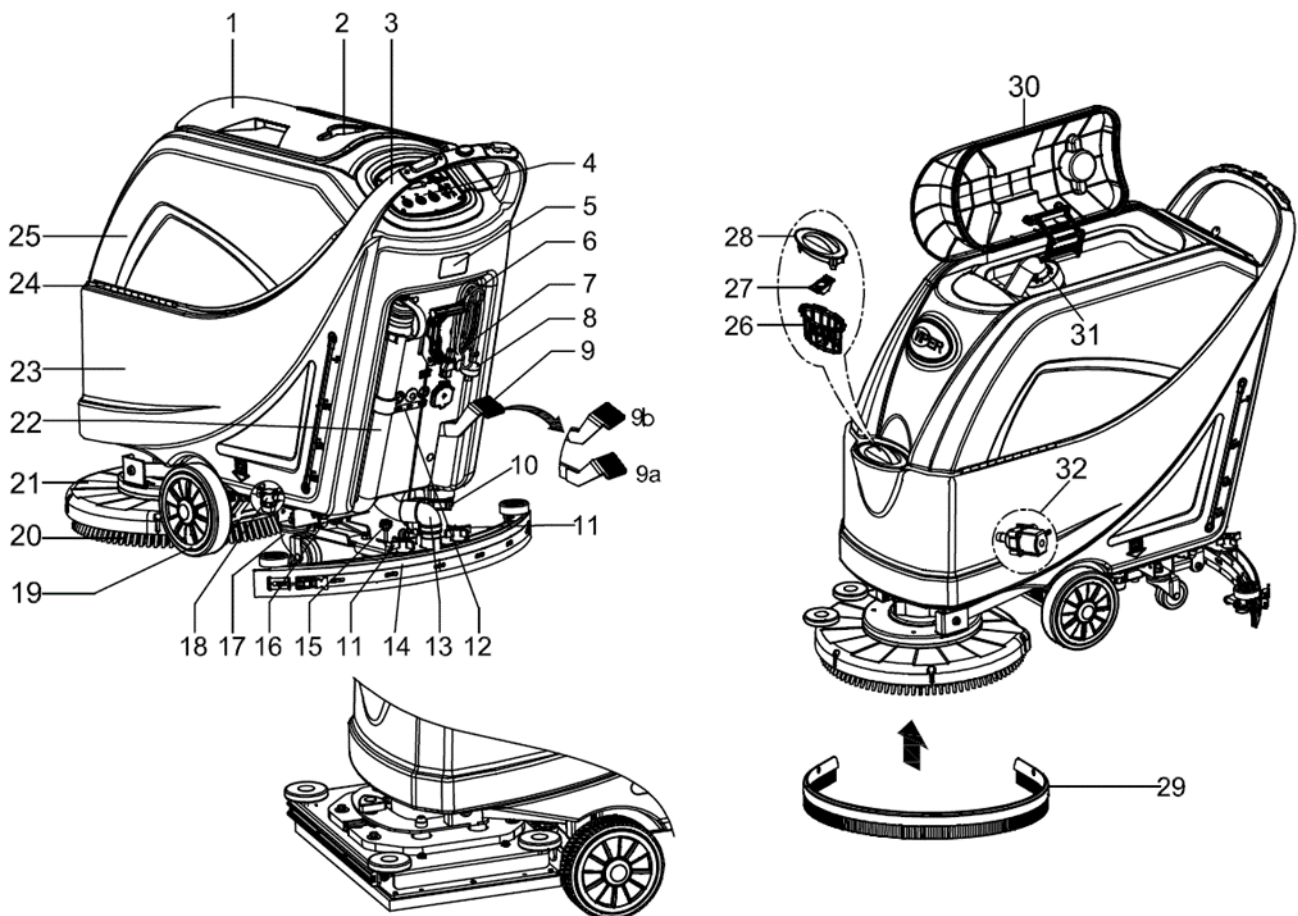


Figura 1

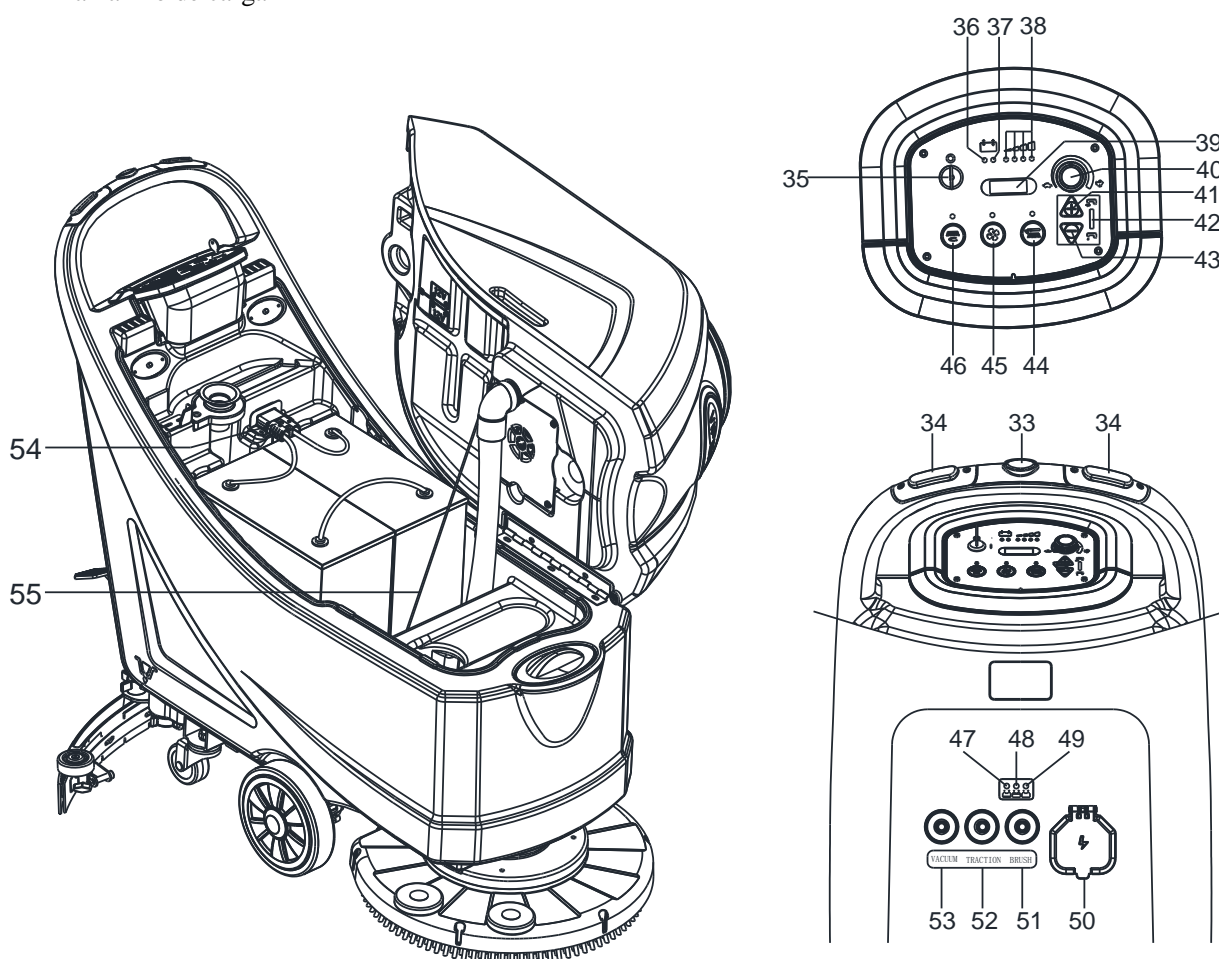
**PANEL DE CONTROL (como se indica en la Figura 2)**

- 33. Interruptor de retroceso de la máquina (B)
- 34. Interruptor de seguridad
- 35. Llave de ignición (0 - I)
- 36. Luz de aviso de batería descargada (roja)
- 37. Luz de aviso de batería semi-descargada (amarilla)
- 38. Luz de aviso de batería cargada (verde)
- 39. Cronómetro
- 40. Regulador de velocidad (B)
- 41. Interruptor de aumento del flujo
- 42. Indicador del flujo de solución
- 43. Interruptor de disminución de flujo
- 44. Interruptor de liberación del portaescobillas / cepillo (solo para la máquina de discos)  
Presión extra activa (solo para la máquina orbital)
- 45. Interruptor del sistema de aspiración
- 46. Interruptor de cepillo/portaescobillas y sistema de aspiración (solo para máquina de discos)  
La cubierta con la almohadilla se mueve hacia arriba/abajo y el soporte del cepillo/portaescobillas y sistema de aspiración (solo para la máquina orbital)
- 47. LED rojo de carga
- 48. LED amarillo de carga
- 49. LED verde de carga
- 50. Cubierta de seguridad del conector de carga
- 51. Protector de sobrecarga del cepillo
- 52. Protector de sobrecarga de la tracción (B)
- 53. Protector de sobrecarga de la aspiradora
- 54. Conector de la batería (rojo)
- 55. Cable de seguridad del cable

(\*): Opcional

(A): Solo para máquinas sin tracción.

(B): Solo para máquinas con tracción.



**Figura 2**

**VENTANA DE VISUALIZACIÓN DEL INDICADOR LUMINOSO DEL CARGADOR (como se indica en la Figura 2)**

1. Cuando comienza la carga, el LED rojo (47) del cargador se ilumina normalmente. Es la primera etapa de la carga.
2. Tras un tiempo de carga, el LED rojo (47) se apaga y el LED amarillo (48) se ilumina, esta es la segunda etapa de la carga.

- Una vez que se complete la carga, el LED amarillo (48) se apaga y el LED verde (49) se ilumina para indicar que la batería está completamente cargada.



**NOTA**

**Durante la carga, si el indicador LED (48) del cargador está iluminado, lo que puede ser cargado por: La batería y cargador no coinciden, la batería no se conecta bien, o de salida tiene un cortocircuito.**

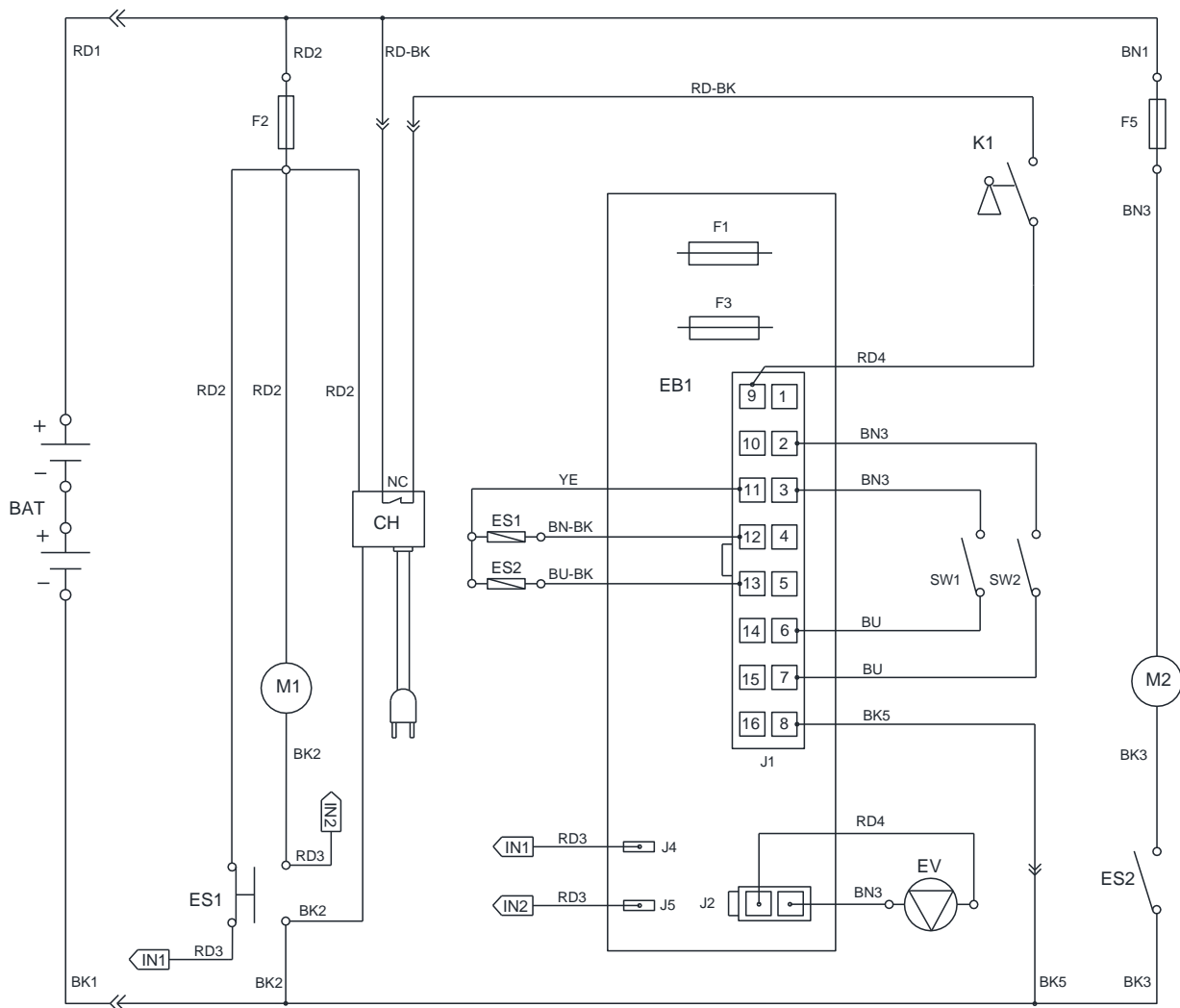
**El parpadeo del LED rojo puede ser causado por un cortocircuito interno en el cargador.**

**PARÁMETROS TÉCNICOS**

Tipo de Parámetro	Units	Modelo		
		AS5160	AS5160T	AS5160TO
Dimensiones del paquete (L X W X H)	mm/Pulgadas	(1370 x 600 x 1220 mm) / (54 x 24 x 48 Pulgadas)		
Altura de la Máquina	mm/Pulgadas	1000 mm / 39.4 Pulgadas		
Largo de la Máquina	mm/Pulgadas	1310 mm / 51.6 Pulgadas		
Ancho de la Máquina (sin escobilla)	mm/Pulgadas	550 mm / 21.7 Pulgadas		
Peso de la máquina con depósitos vacíos (sin baterías)	Kg/Lbs.	85 Kg / 187 Lbs.	93 Kg/205 Lbs.	120 Kg/264 Lbs.
Peso Bruto del Vehículo (GVW)	Kg/Lbs.	214.8 Kg / 473 Lbs.	222.8 Kg / 490 Lbs.	240 Kg / 528 Lbs.
Peso de Envío	Kg/Lbs.	115 Kg / 253 Lbs.	123 Kg / 271 Lbs.	150 Kg / 330 Lbs.
Capacidad de depósito de solución	L / Gal	61 L / 16 Gal.		
Capacidad del tanque de recuperación	L / Gal	61 L / 16 Gal.		
Potencia del motor de aspiración	Watt / H.P.	350 W / 0.47 H.P.		
Capacidad de Aspiración	mm/In of H2O	1200 mm / 47.2 Pul. de H2O		
Capacidad de ascenso (máx)	% grade	2%		
Diámetro de rueda delantera	mm/Pulgadas	200 mm / 8 Pulgadas		
Diámetro de rueda trasera	mm/Pulgadas	76 mm / 3 Pulgadas		
Nivel de sonido	dB (A)	69 +/- 3 dB (A)		
Flujo de solución (máx) por ajuste	L / Gal por minuto	(0.7/1.2/1.7/2.2) Litros (0.2/0.3/0.45/0.6) Galones		
Ancho de trabajo	mm/Pulgadas	510 mm / 20 Pulgadas		
Ancho de escobilla	mm/Pulgadas	790 mm / 31.1 Pulgadas		
Diámetro Cepillo/Almohadilla	mm/Pulgadas	510 mm / 20 Pulgadas	510 x 360 mm /20 x 14 Pulgadas	
Potencia de motor de cepillo	Watt / H.P.	450 Vatios / 0.6 H.P	750 Vatios / 1.0 H.P.	
Velocidad de cepillo	RPM	150	2200	
Presión cepillo/almohadilla(max)	Kg/Lbs.	27 Kg / 59.4 Lbs.	23 Kg / 50.6 Lbs.	40 - 50 Kg / 88 - 110 Lbs.
Potencia de motor de accionamiento	Vatio / H.P.	N/A	150 W / 0.2 H.P.	250 W / 0.33 H.P.
Velocidad de Trabajo	Km / Millas por hora	N/A	0 - 4.0 Km / 0 - 2.5 Millas por hora	
Velocidad de avance	Km / Miles per hour	N/A	0 - 4.0 Km / 0 - 2.5 Millas por hora	
Velocidad de retroceso	Km / Millas por hora	N/A	0 - 2.0 Km / 0 - 1.25 Millas por hora	
Nivel de Vibración de Manija (max)	m/S2	2.5		
Voltaje	DC	24 Voltios		
Baterías	Amp/hora	105/130 HÚMEDA 105/140 AGM Ah		
On-Board Battery Charger	Voltios/Amperios	24 Volt/10 Amp	24 Volt/13 Amp	
Battery Compartment Size (L x W x H)	mm/Pulgadas	(350 x 350 x 300) mm / 13.8 x 13.8 x 11.8) Pulgadas		



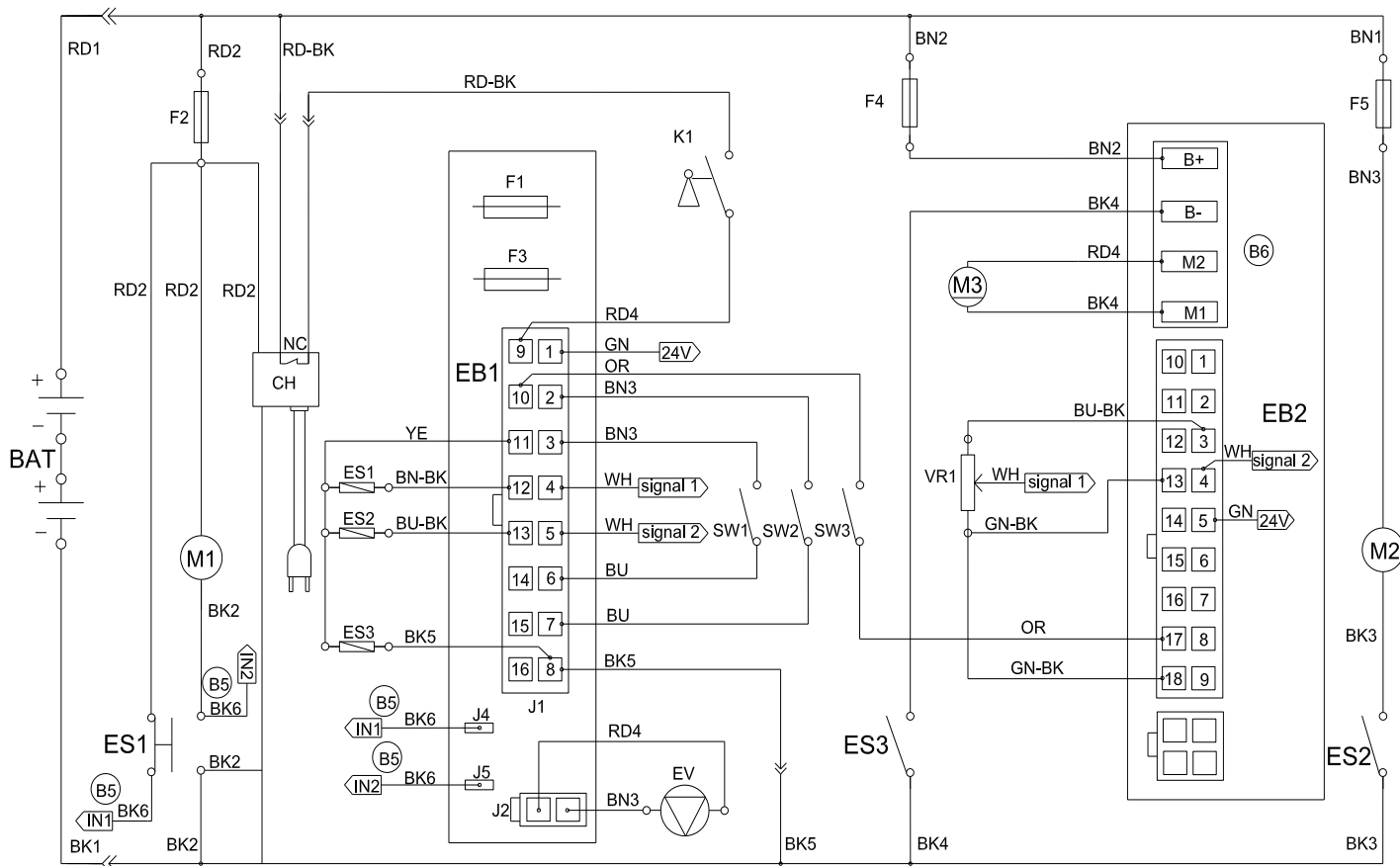
**DIAGRAMA DE CABLEADO (SOLO PARA MÁQUINA DE DISCOS SIN TRACCIÓN)**



COMPONENTES	
BAT	BATERÍAS DE 24V
CH	CARGADOR DE BATERÍA
EB1	TABLERO DEL PANEL DE CONTROL
ES1	INTERRUPTOR ELECTROMAGNÉTICO DE 24V (MOTOR DEL CEPILLO)
ES2	RELÉ DE 24V (MOTOR DE ASPIRACIÓN)
F1	FUSIBLE DE CIRCUITO DE BAJA TENSIÓN
F2	DISYUNTOR (MOTOR DEL CEPILLO)
F3	FUSIBLE DE LIBERACIÓN DEL CEPILLO
F5	DISYUNTOR (MOTOR DE ASPIRACIÓN)
K1	INTERRUPTOR CON LLAVE
M1	MOTOR DEL CEPILLO
M2	MOTOR DE ASPIRACIÓN
EV	VÁLVULA ELECTROMAGNÉTICA
SW1	INTERRUPTOR DE SEGURIDAD (CEPILLO/TRACCIÓN)
SW2	INTERRUPTOR DE SEGURIDAD (CEPILLO/TRACCIÓN)

INDICADOR	
RD1	ROJO/6AWG
RD2	ROJO/10AWG
RD3	ROJO/16AWG
RD4	ROJO/20AWG
BK1	NEGRO/6AWG
BK2	NEGRO/10AWG
BK3	NEGRO/12AWG
BK5	NEGRO/20AWG
RD-BK	ROJO-NEGRO/20AWG
BN1	MARRÓN/12AWG
BN3	MARRÓN/20AWG
BN-BK	MARRÓN-NEGRO/20AWG
BU	AZUL/20AWG
BU-BK	AZUL-NEGRO/20AWG
YE	AMARILLO/20AWG
WH	BLANCO/20AWG

DIAGRAMA DE CABLEADO (SOLO PARA MÁQUINA DE DISCOS CON TRACCIÓN)



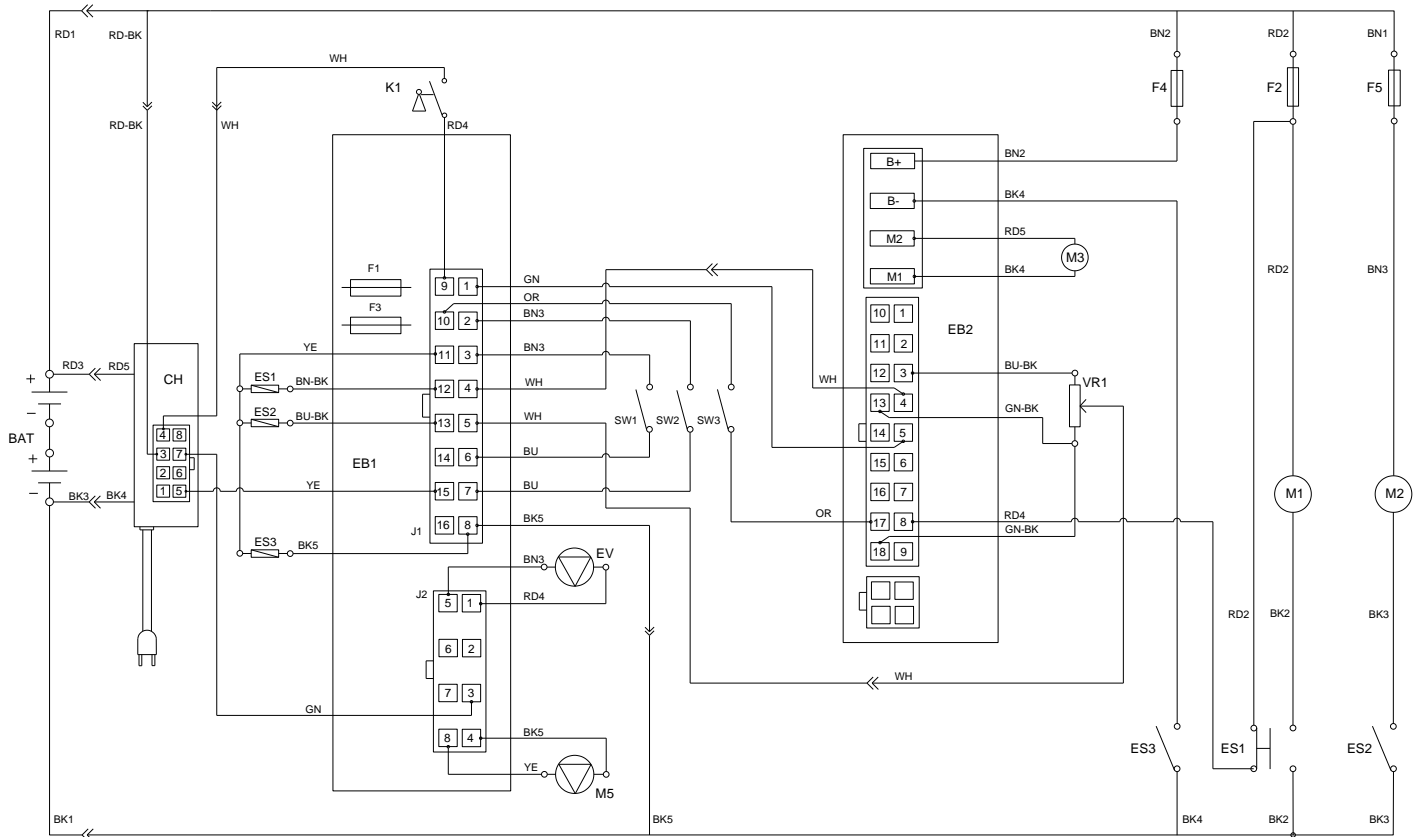
COMPONENTES

BAT	BATERÍAS DE 24V
CH	CARGADOR DE BATERÍA
EB1	TABLERO DEL PANEL DE CONTROL
EB2	TABLERO ELECTRÓNICO (SISTEMA DE TRACCIÓN)
ES1	INTERRUPTOR ELECTROMAGNÉTICO DE 24V (MOTOR DEL CEPILLO)
ES2	RELÉ DE 24V (MOTOR DE ASPIRACIÓN)
ES3	RELÉ DE 24V (SISTEMA DE TRACCIÓN)
F1	FUSIBLE DE CIRCUITO DE BAJA TENSIÓN
F2	DISYUNTOR (MOTOR DEL CEPILLO)
F3	FUSIBLE DE LIBERACIÓN DEL CEPILLO
F4	DISYUNTOR (SISTEMA DE TRACCIÓN)
F5	DISYUNTOR (MOTOR DE ASPIRACIÓN)
K1	INTERRUPTOR CON LLAVE
M1	MOTOR DEL CEPILLO
M2	MOTOR DE ASPIRACIÓN
M3	MOTOR PROPULSOR
EV	VÁLVULA ELECTROMAGNÉTICA
SW1	INTERRUPTOR DE SEGURIDAD (CEPILLO/TRACCIÓN)
SW2	INTERRUPTOR DE SEGURIDAD (CEPILLO/TRACCIÓN)
SW3	INTERRUPTOR DE INVERSIÓN
VR1	POTENCIÓMETRO PARA LA VELOCIDAD

INDICADOR

RD1	ROJO/6AWG
RD2	ROJO/10AWG
RD3	ROJO/16AWG
RD4	ROJO/20AWG
BK1	NEGRO/6AWG
BK2	NEGRO/10AWG
BK3	NEGRO/12AWG
BK4	NEGRO/14AWG
BK5	NEGRO/20AWG
RD-BK	ROJO-NEGRO/20AWG
GN	VERDE/20AWG
GN-BK	VERDE-NEGRO/20AWG
BN1	MARRÓN/12AWG
BN2	MARRÓN/14AWG
BN3	MARRÓN/20AWG
BN-BK	MARRÓN-NEGRO/20AWG
BU	AZUL/20AWG
BU-BK	AZUL-NEGRO/20AWG
OR	NARANJA/20AWG
YE	AMARILLO/20AWG
WH	BLANCO/20AWG

DIAGRAMA DE CABLEADO (SOLO PARA MÁQUINA ORBITAL)



COMPONENTES		
Key	CÓDIGO	Descripción
BAT	N/A	24V BATERÍAS
CH	VS10262	CARGADOR DE BATERÍAS
EB1	VS13201	PANEL DE CONTROL
EB2	VS13215	PANEL ELECTRÓNICO (SISTEMA DE TRACCIÓN)
ES1	9095127000	INTERRUPTOR ELECTROMAGNÉTICO DE 24V (MOTOR DEL CEPILLO)
ES2	VS10201	RELAY 24V (MOTOR DE ASPIRACIÓN)
ES3	VS10201	RELAY 24V (SISTEMA DE TRACCIÓN)
F1	VS13208	FUSIBLE DE CIRCUITO DE BAJA POTENCIA
F2	ZD48320	INTERRUPTOR (MOTOR DE CEPILLO)
F3	VS13208	FUSIBLE DE MOTOR DE ELEVACIÓN DE CEPILLO
F4	VF99010C	INTERRUPTOR (SISTEMA DE TRACCIÓN)
F5	ZD48320	INTERRUPTOR (MOTOR DE ASPIRACIÓN)
K1	9100001354	INTERRUPTOR DE LLAVE
M1	VS10702	MOTOR DE CEPILLO
M2	VF90520	MOTOR DE ASPIRACIÓN
M3	VS11702	MOTOR DE ACCIONAMIENTO
EV	VF90282	VÁLVULA SOLENOIDE
N/A	N/A	N/A
M5	VS10703	MOTOR DE ELEVACIÓN DE CEPILLO
SW1	VS10202	INTERRUPTOR DE SEGURIDAD (CEPILLO/TRACCIÓN)
SW2	VS10202	INTERRUPTOR DE SEGURIDAD (CEPILLO/TRACCIÓN)
SW3	VS10202	INTERRUPTOR DE INVERSIÓN
VR1	VS10213	POTENCIÓMETRO DE VELOCIDAD

INDICADOR	
RD1	ROJO/6AWG
RD2	ROJO/10AWG
RD3	ROJO/12AWG
RD4	ROJO/20AWG
RD5	ROJO/14AWG
BK1	NEGRO/6AWG
BK2	NEGRO/10AWG
BK3	NEGRO/12AWG
BK4	NEGRO/14AWG
BK5	NEGRO/20AWG
BK6	NEGRO/16AWG
RD-BK	ROJO-NEGRO/20AWG
GN	VERDE/20AWG
GN-BK	VERDE-NEGRO/20AWG
BN1	MARRÓN/12AWG
BN2	MARRÓN/14AWG
BN3	MARRÓN/20AWG
BN-BK	MARRÓN-NEGRO/20AWG
BU	AZUL/20AWG
BU-BK	AZUL-NEGRO/20AWG
OR	NARANJA/20AWG
YE	AMARILLO/20AWG
WH	BLANCO/20AWG

## GUÍA DE FUNCIONAMIENTO

**¡ADVERTENCIA!**

En algunos lugares de la máquina se encuentran algunas placas adhesivas que indican:

- **¡PELIGRO!**
- **¡ADVERTENCIA!**
- **¡PRECAUCIÓN!**
- **CONSULTA**

Durante la lectura de este manual, el operario debe prestar especial atención a los símbolos que aparecen en las placas. No cubra estas placas por cualquier motivo y reemplácelas inmediatamente si están dañadas.

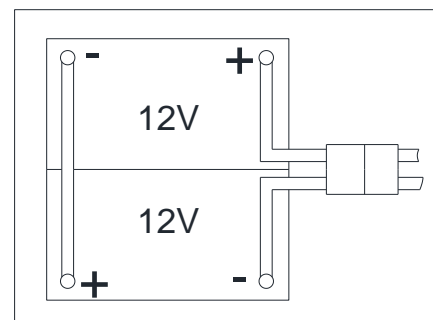
## VERIFICACIÓN/CONFIGURACIÓN DE LA BATERÍA EN UNA MÁQUINA NUEVA

**¡ADVERTENCIA!**

Los componentes eléctricos de la máquina pueden resultar seriamente dañados si las baterías están mal instaladas o conectadas. Las baterías deben ser instaladas solamente por personal cualificado. Ajuste el tablero electrónico de funciones y el cargador de baterías incorporado de acuerdo con el tipo de baterías utilizado (HÚMEDAS o de GEL / AGM). Compruebe las baterías en busca de daños antes de instalarlas. Desconecte el conector de la batería y el enchufe del cargador de baterías. Manipule las baterías con gran cuidado. Instale las tapas de protección de los terminales de las baterías suministradas con la máquina.

**NOTA**

La máquina requiere dos baterías de 12 V, conectadas según el diagrama (Figura 3).



**Figura 3**

La máquina se entrega en uno de los siguientes modos:

**A) Las baterías (HÚMEDAS o de GEL/AGM) están ya instaladas y cargadas**

1. Compruebe si las baterías están conectadas a la máquina mediante el conector (54).
2. Introduzca la llave de ignición (35) y gírela a la posición «I». Si se ilumina la luz de aviso verde (38), las baterías están completamente cargadas. Si se ilumina la luz de aviso amarilla (37) o la roja (36), las baterías deben cargarse (consulte el procedimiento en el capítulo Mantenimiento).

**B) Sin baterías**

1. Compre baterías apropiadas (véase el apartado Datos Técnicos).
2. En lo que se refiere a la elección e instalación de baterías, solicite la asistencia de Distribuidores de baterías calificados.
3. Configure la máquina y el cargador de baterías de acuerdo con el tipo de baterías (HÚMEDAS o de GEL/AGM), tal y como se indica en el siguiente apartado.

### INSTALACIÓN DE LA BATERÍA Y CONFIGURACIÓN DEL TIPO DE BATERÍA (HÚMEDA O DE GEL/AGM)

Según el tipo de baterías (HÚMEDAS O DE GEL/AGM), configure el aparato y el tablero electrónico del cargador de baterías de la siguiente manera: (solo para la máquina de discos)

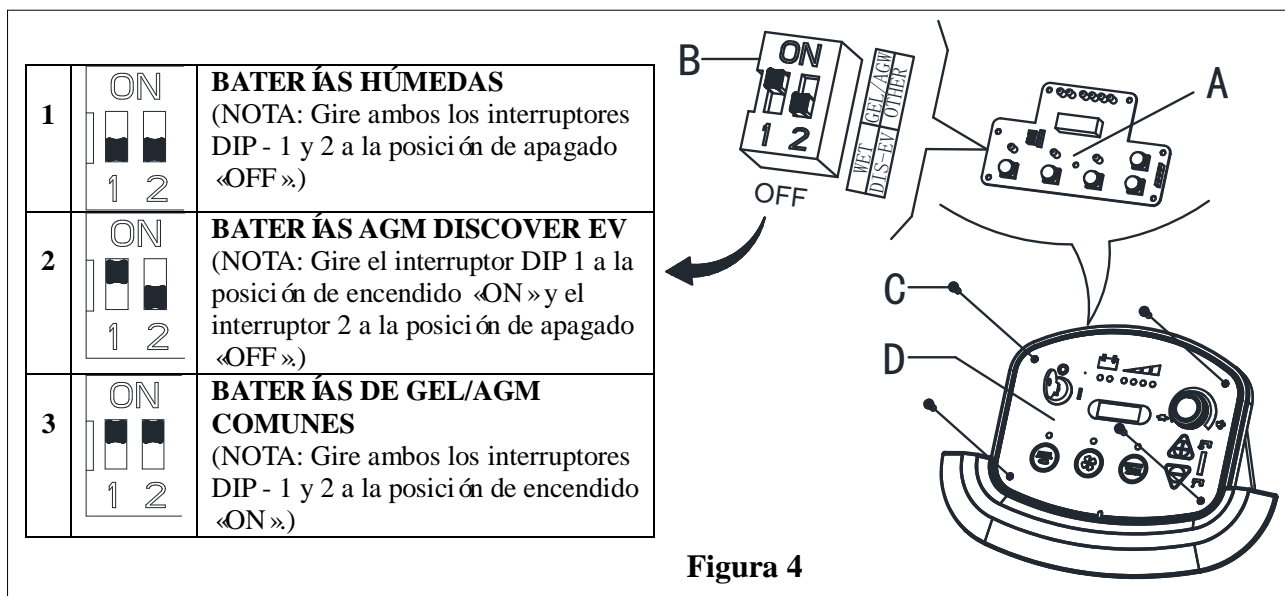


Figura 4



**NOTA**

Al instalar las nuevas baterías por favor consulte la Figura 4 para ajustar los interruptores DIP. De lo contrario las baterías podrán resultar dañadas.

**Configuración de la máquina (solo para la máquina de discos)**

1. Gire la llave de ignición (35) a la posición «I» y en los primeros segundos de funcionamiento de la máquina, preste atención a lo siguiente:
  - Si la primera luz de aviso verde (38) está parpadeando, la máquina está configurada para batería de GEL/AGM.
  - Si la primera luz de aviso amarilla (37) está parpadeando, la máquina está configurada para batería AGM del tipo Discover EV.
  - Si la primera luz de aviso roja (36) está parpadeando, la máquina está configurada para batería HÚMEDA.
2. Si es necesario cambiar la configuración, lleve a cabo los procedimientos a continuación.
3. Los ajustes de fábrica son para baterías HÚMEDAS. Si la configuración corresponde al tipo de batería instalada, vaya directamente al paso 6. De lo contrario, siga los siguientes pasos 4~5.
4. Desenrosque los tornillos en el panel de control (C, Figura 4), y a continuación gire el Tablero del panel de control (PCB) (A Figura 4) para encontrar el interruptor DIP (B, Figura 4) para configurar el tipo de batería (HÚMEDA o Discover EV AGM o GEL/AGM), (Refiérase a 1 o 2 o 3).
5. Una vez que se complete la configuración de las opciones de la batería. Instale los tornillos en el panel de control.

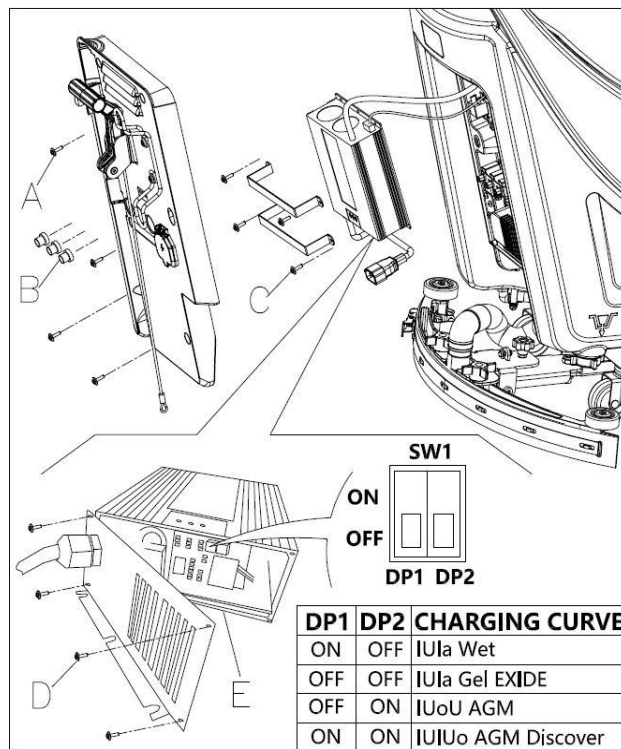


Figura 4.1



**PRECAUCIÓN!**

Interrumpa el suministro de la máquina antes de realizar el siguiente procedimiento!

**Ajuste de cargador de batería (para máquinas de disco con cargador de batería a bordo)**

7. Retirar los tornillos (A, B, C, D, Figura 4.1).
8. Abrir el cargador y encontrar el sw1 (E, Figura 4.1).
9. Ajuste los interruptores como en la tabla (Figura 4.1).
10. Instale los tornillos (A, B, C, D, Figura 4.1) tras completar ajustes.

**SEGÚN EL TIPO DE BATERÍAS (HÚMEDA O GEL/AGM), CONFIGURE LA MÁQUINA DE LA SIGUIENTE MANERA: (solo para máquina orbital)**



**NOTA**

En cuanto a los ajustes de fábrica, conozca el tipo de batería de la pantalla de tiempo de arranque según la tabla anterior

1. Pulse ambos botones (A, Figura. 4) y (B) a la vez, Inserte la llave de encendido (D) y arranque, tras 0.5 segundos, inserte modo de ajuste de batería. LED encendido durante el ajuste (C), Suelte los botones.
2. El modo se puede cambiar de 0 a 5 pulsando el botón by (B), o cambiar de 5 a 0 pulsando el botón (A). Tras configurar el modo de batería, apague (D) y el nuevo ajuste de modo de batería puede guardarse automáticamente.
3. La configuración de la batería está completada.

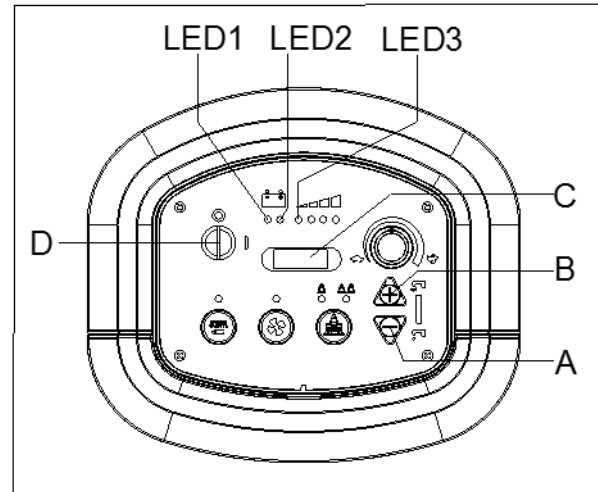


Figura 4.2

Modo	Tipo de batería/Fabricante de batería	Curva de carga de batería	Pantalla LED durante ajustes (C, Figura. 4.2)	Pantalla de tiempo de arranque
0	HÚMEDA	Curva HÚMEDA general	WET 0	LED1 parpadea dos veces
1	GEL/AGM	Curva GEL/AGM general	AGM 1	LED2 parpadea dos veces
2	DISCOVER	DISCOVER	d 15 2	LED3 parpadea dos veces
3	OPTIMA	OPTIMA	OPT 3	LED1 y LED2 parpadean dos veces
4	EXIDE	EXIDE	EXI 4	LED1 y LED3 parpadean dos veces
5	FULLRIVER	FULLRIVER	FUL 5	LED2 LED3 parpadean dos veces

### Instalación de la batería

1. Abra la tapa del depósito de recogida (1) y compruebe si el depósito de recogida (25) está vacío; de lo contrario vacíelo mediante la manguera de desagüe. (22)
2. Cierre la tapa del depósito de recogida (1).
3. Vuelque el depósito de recogida con cuidado (25).
4. La máquina se entrega con los cables adecuados para instalar 2 baterías x12V. Coloque con cuidado las baterías en el compartimiento y a continuación instélas correctamente.
5. Pase e instale el cable de las baterías como se indica (en la Figura 3), luego apriete cuidadosamente la tuerca en cada uno de los terminales de la batería.
6. Coloque la tapa protectora en cada terminal, a continuación, conecte el conector de la batería (54).
7. Baje con cuidado el depósito de recogida (25).

### MONTAJE Y DESMONTAJE DEL PORTACEPILLOS/PORTA-DISCOS (solo para la máquina de discos)



#### NOTA

Instale el cepillo (A, Figura 5) o el porta-discos (B y C, Figura 5) según el tipo de suelo a limpiar.



#### PRECAUCIÓN!

Antes del montaje o desmontaje del cepillo o porta-discos, asegúrese de que todos los interruptores de la máquina están en la posición de apagado y levante la escobilla de goma del suelo. El operario debe estar equipado con dispositivos de protección personal adecuados, tales como guantes, para reducir el riesgo de accidentes.

Proceda como se indica a continuación:

1. Inserte la llave de ignición (35) y gírela a la posición «O».
2. Levante la plataforma pisando el pedal (9).
3. Gire el regulador de velocidad (40), si lo hay, a la posición de inactivo, moviéndolo en el sentido anti-horario.
4. Coloque los cepillos (A, Figura 5) en el porta-discos (B) debajo de la plataforma (21).
5. Baje la plataforma en los portacepillos/porta-discos pisando el pedal (9).
6. Gire la llave de ignición (35) a «I».
7. Presione el interruptor del portacepillos/porta-discos y el sistema de aspiración (46).
8. Pulse uno de los cepillos/engranajes de marcha adelante (34) para enganchar el portacepillos/porta-discos y a continuación libérela. Si es necesario, repita el procedimiento hasta que los portacepillos/porta-discos estén enganchadas.
9. Si el Paso anterior No.8 resulta ser difícil, recurra al método manual que consiste en girar el portacepillos/porta-discos en la dirección opuesta a la dirección de rotación normal, para que lo desmonte. (como se indica en la Figura 5).



#### ¡ADVERTENCIA!

(Solo para máquinas con tracción): Gire el regulador de velocidad (40) en el sentido anti-horario para accionar la máquina a la velocidad mínima.

Presione ligeramente el interruptor (34), de lo contrario la máquina empieza a moverse.

Para enganchar el portacepillos/porta-discos, presione el interruptor (34) que pone en marcha el motor del portacepillos/porta-discos.

10. Para retirar el portacepillos/porta-discos, levante la plataforma pisando el pedal (9) y a continuación presione el interruptor (44) y el portacepillos/porta-discos se soltará

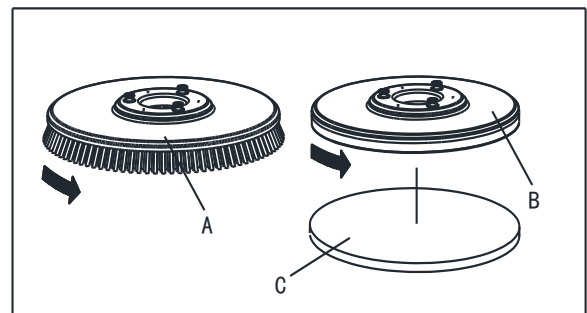


Figura 5

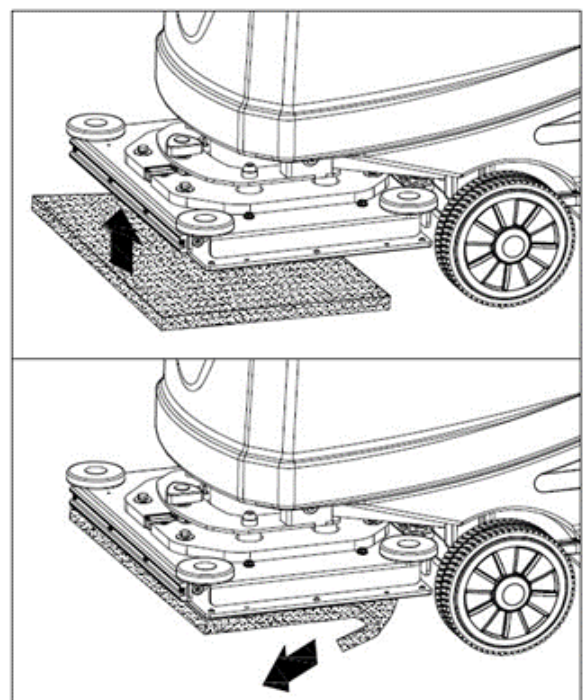


Figura 5.1

## INSTALACIÓN Y DESMONTAJE DE ALMOHADILLA (solo para máquina orbital)

1. Eleve la cubierta pulsando el interruptor (46).
2. Instale y desmonte la almohadilla (A, Figura 5.1)

## AJUSTAR EL BALANCE DE LA BOQUILLA DE ASPIRACIÓN

1. Instale la boquilla de aspiración y enrosque la tuerca (H), luego conecte la manguera de aspiración (G) con la escobilla de goma.
2. Ajuste la posición de la escobilla de goma mediante la palanca de ajuste de la escobilla de goma (A, Figura 6).
- a) Si queda un espacio entre el suelo y sección media de la lámina posterior de la escobilla de goma (B), ajuste la perilla (A) en dirección anti horaria (F) hasta que la entera sección de la lámina posterior de la escobilla de goma entre en buen contacto con el suelo, la lámina delantera tocando el suelo ligeramente.
- b) Si hay espacio entre el suelo y los dos extremos de la lámina posterior (C y D), ajuste la perilla (A) en dirección horaria (E) hasta que la entera sección de la lámina posterior entre en buen contacto con el suelo, la lámina delantera tocando el suelo ligeramente.

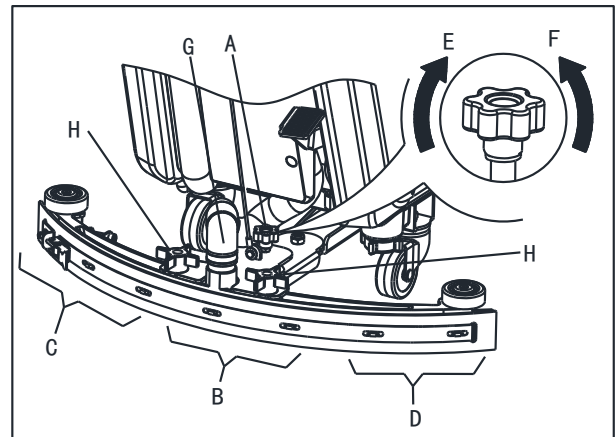


Figura 6

## LLENAR EL DEPÓSITO DE SOLUCIÓN O AGUA DE LAVADO

1. Abra la tapa de la entrada de agua (B, Figura 7).
2. A través de la entrada de agua con filtro llene agua o solución adecuada para el tipo de trabajo a realizar. La temperatura de la solución no debe ser superior a los +104F (+40 °C).
3. No llene el depósito en exceso. Refiérase al indicador del nivel de agua (H) en cuanto al volumen del agua.

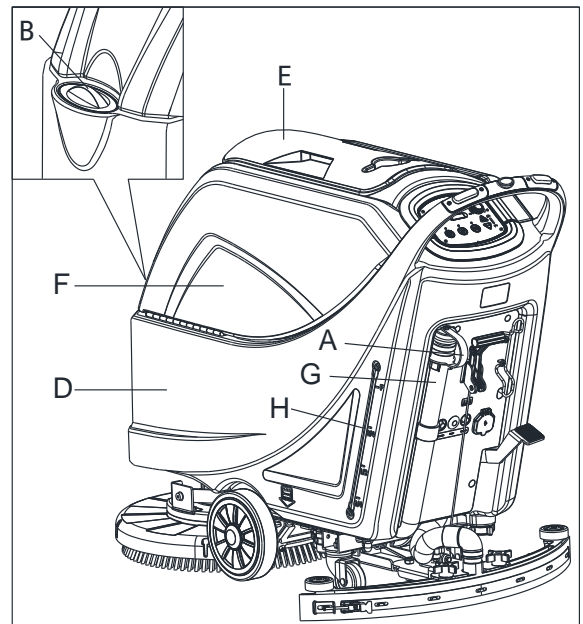


Figura 7



### ¡ADVERTENCIA!

Utilice solo detergentes no inflamables y de baja espuma, indicados para el uso en fregadoras automáticas.

## PUESTA EN MARCHA Y PARADA DE LA MÁQUINA

### Puesta en marcha de la máquina

1. Prepare la máquina como se indica en el apartado anterior.
2. Introduzca la llave de ignición (A, Figura 8), girándolo a la posición «I». Compruebe si la luz de aviso verde (B) se ilumina (batería cargada). Si se ilumina la luz de aviso amarilla (C) o la roja (D), gire la llave de ignición otra vez a la posición «0» y cargue las baterías (consulte el procedimiento en el capítulo Mantenimiento).
3. Conduzca la máquina a la zona de trabajo:
  - Empujándola con las manos en el manillar (E) (solo para máquinas sin tracción).
  - Empujándola con las manos en el manillar (E) y pulsando el interruptor (F) para moverla hacia delante, o pulsando el interruptor (F) junto con el (G) para moverla hacia atrás (solo para máquinas con tracción). La velocidad de avance se puede ajustar mediante el regulador (H).
4. Baje la escobilla de goma (I) usando la palanca (J).
5. Baje el grupo de cepillo portacepillos/porta-discos (K) al levantar el pedal (L). (solo para máquina de discos)
6. Presione el interruptor del portacepillos/porta-discos (M) y el interruptor del sistema de aspiración (N).
7. Pulse los interruptores de control de flujo de agua de lavado (O), según sea necesario, dependiendo del tipo de limpieza a realizar.
8. Empezar a limpiar:
  - (solo para máquinas sin tracción) empujando la máquina con las manos en el manillar (E) y pulsando el interruptor (F).



- (solo para máquinas con tracción) empujando la máquina con las manos en el manillar (E) y pulsando el interruptor (F). Si es necesario, la velocidad de avance se puede ajustar mediante el regulador (H).

**NOTA**

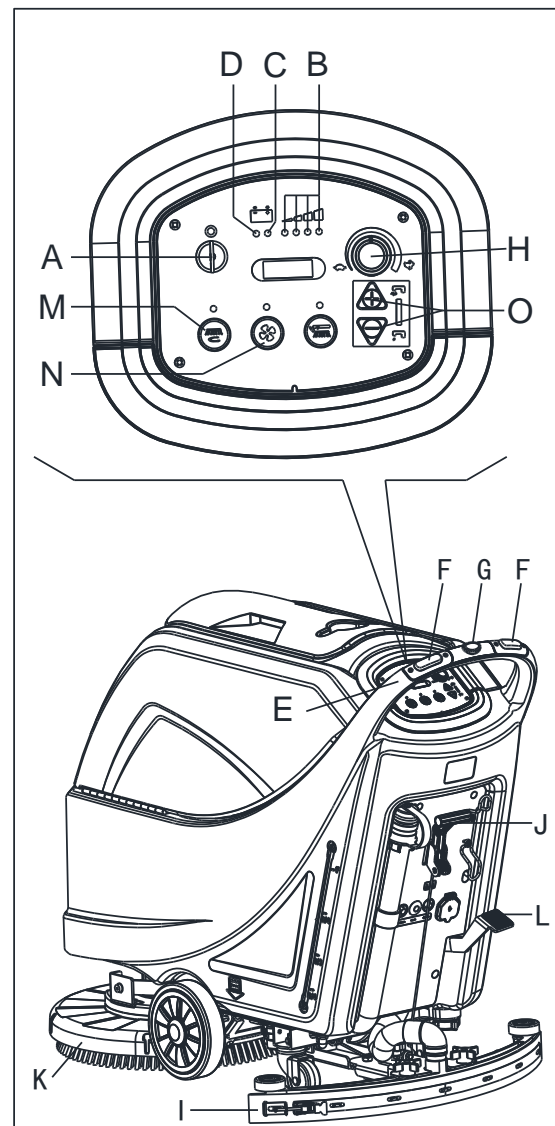
Para mover la máquina hacia delante, pulse el interruptor de la izquierda, el de la derecha (F) o ambos.

**Parar la máquina**

9. Detenga la máquina usando el manillar (E) (solo para máquinas sin tracción). Detenga la máquina soltando los interruptores (F) (solo para máquinas con tracción).
10. Pare los cepillos y el sistema de aspiración al pulsar el interruptor (M). El sistema de aspiración se detiene al cabo de algunos segundos.
11. Levante la plataforma del portacepillos/porta-discos (K) pisando el pedal (L). (solo para máquina de discos)
12. Levante la escobilla de goma (I) usando la palanca (J).
13. Gire la llave de ignición (A) a la posición «0».
14. Asegúrese de que la máquina no se puede mover por si sola.

**AJUSTE DEL NIVEL DE LA CUBIERTA ORBITAL (solo para máquina orbital)**

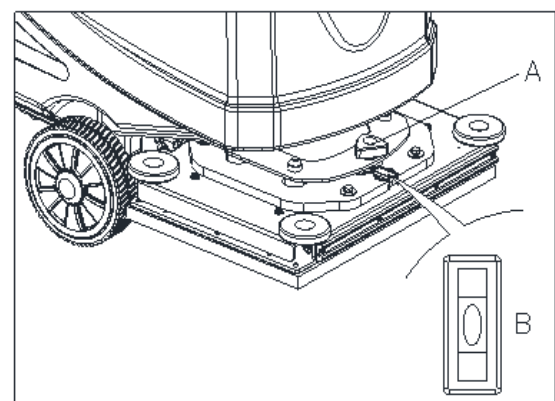
1. Baje la cubierta del portaescobillas/cepillo presionando el interruptor de Cepillo/portaescobillas (M Figura 8).
2. Ajuste el nivel de la cubierta orbital ajustando la manija (A, Figura 8.1). con la burbuja en el medio (B Figura 8.1).

**Figura 8****FUNCIONAMIENTO DE LA MÁQUINA (FREGADO Y SECADO)**

1. Ponga la máquina en marcha como se indica en los párrafos anteriores.
2. Mientras mantiene ambas manos en el manillar pulse el interruptor de seguridad (F, Figura 8), a continuación, desplace la máquina para empezar a fregar/secar el suelo.
3. Si es necesario, detenga la máquina y luego ajuste la escobilla de goma de acuerdo a la sección "Ajustar el balance de la boquilla de aspiración".

**NOTA**

Para el fregado/secado correcto de los suelos en los lados de las paredes, Viper sugiere aproximarse a las paredes con el lado derecho de la máquina (A y B, Figura 9) como se indica en la figura.

**Figura 8.1**

**PRECAUCIÓN!**

Para evitar cualquier daño a la superficie del suelo, apague los portacepillos/porta-discos cuando la máquina se detiene en un lugar, especialmente cuando la función de presión extra está activa.

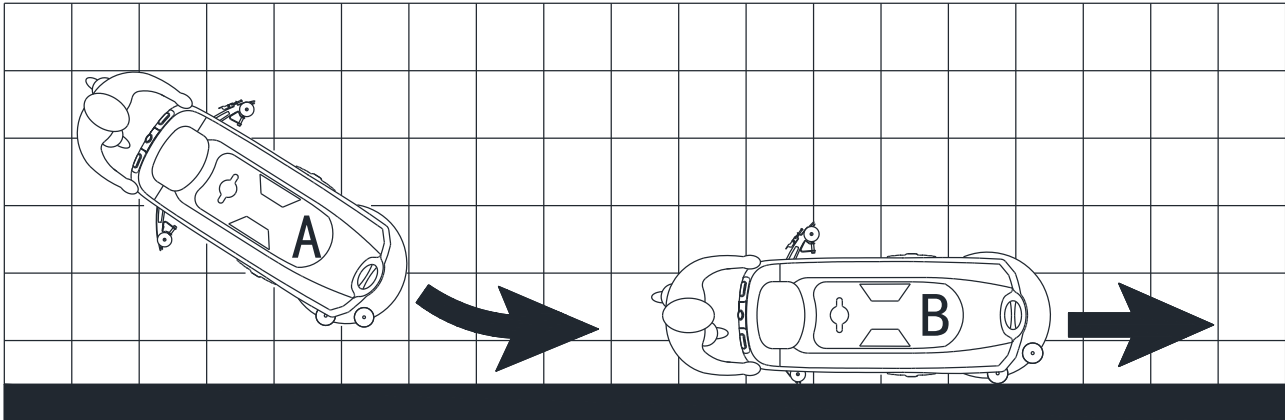


Figura 9

**Descarga de la batería durante el funcionamiento**

Mientras que la luz de aviso verde (A, Figura 11) está iluminada, las baterías permiten que la máquina funcione normalmente. Cuando la luz de aviso verde (A) se apaga y se ilumina la luz de aviso amarilla (B), es aconsejable cargar las baterías ya que la carga restante durará unos pocos minutos (dependiendo de las características de la batería y el trabajo a realizar). Cuando se ilumina la luz de aviso roja (C), las baterías están completamente descargadas. Pasados algunos segundos, el portacepillos/porta-discos se apaga automáticamente, mientras que el sistema de aspiración y el sistema de accionamiento (solo para máquinas con tracción) siguen funcionando, para concluir el secado del suelo y conducir la máquina a la zona de carga designada.

**PRECAUCIÓN!**

No utilice la máquina con las baterías descargadas, para evitar dañar las baterías y acortar su vida útil.

**VACIAR LOS DEPÓSITOS**

Un sistema de cierre del flotador automático (A, Figura 11) bloquea el sistema de aspiración cuando el depósito de agua sucia (B) está lleno. La desactivación del sistema de aspiración se indica mediante un aumento repentino en la frecuencia de ruido del motor del sistema de aspiración, y también el suelo no se seca.

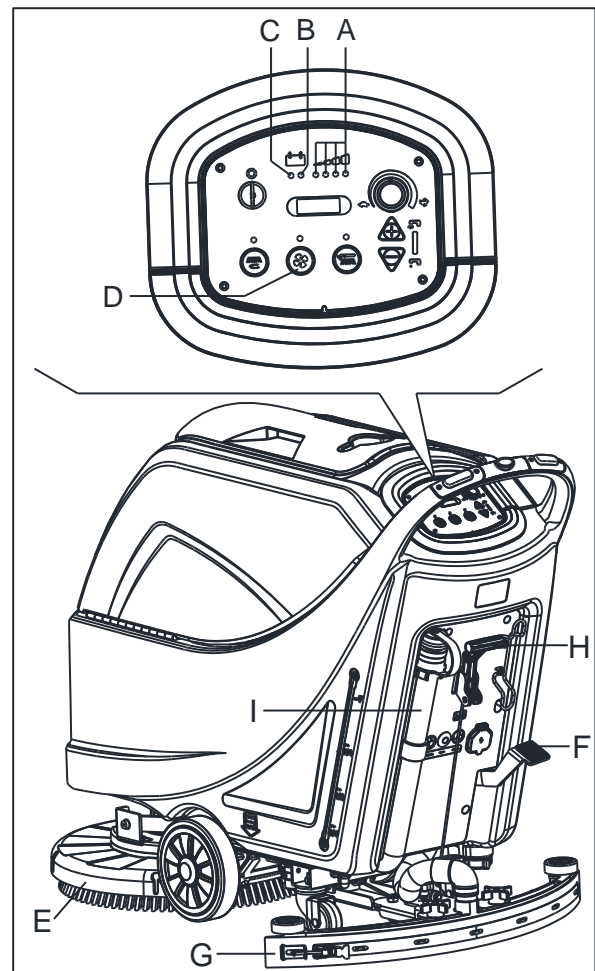


Figura 10

**PRECAUCIÓN!**

Si el sistema de aspiración se apaga accidentalmente (por ejemplo, cuando el flotador se activa debido a un movimiento brusco de la máquina), para reanudar la operación: apague el sistema de aspiración pulsando el interruptor (D, Figura 10), a continuación, abra la tapa (C, Figura 11) y compruebe que el flotador dentro de la rejilla (a) ha bajado al nivel del agua. Luego cierre la tapa (c) y ponga en marcha el sistema de aspiración pulsando el interruptor (D, Figura 10).

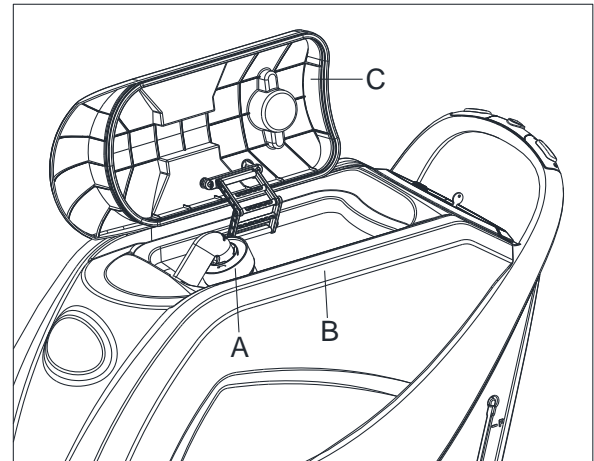


Figura 11

Cuando el depósito de agua sucia (B, Figura 11) está lleno, vacíelo de acuerdo con el siguiente procedimiento.

**Vaciar el depósito de agua sucia**

1. Pare la máquina.
2. Levante el grupo de cepillo del portacepillos/porta-discos (E, Figura 10) pisando el pedal (F, Figura 10). (solo para la máquina de discos)
3. Levante la boquilla de aspiración (G, Figura 10) usando la palanca (H, Figura 10).
4. Conduzca la máquina a la zona de vertido designada.
5. Vacíe el depósito de agua sucia usando la manguera (I, Figura 10). A continuación, enjuague el depósito (B, Figura 11) con agua limpia.

**PRECAUCIÓN!**

Al drenar el agua residual, el tubo de aspiración de los residuos se debe doblar (A, Figura 12) y descender a la posición más baja posible (B, Figura 12). A continuación, abra la tapa del tubo de aspiración de residuos para drenar el agua. Evite que la boca del tubo de aspiración de residuos esté orientada hacia arriba para drenar el agua verticalmente. Esto es para prevenir que las aguas residuales salpiquen al operario.

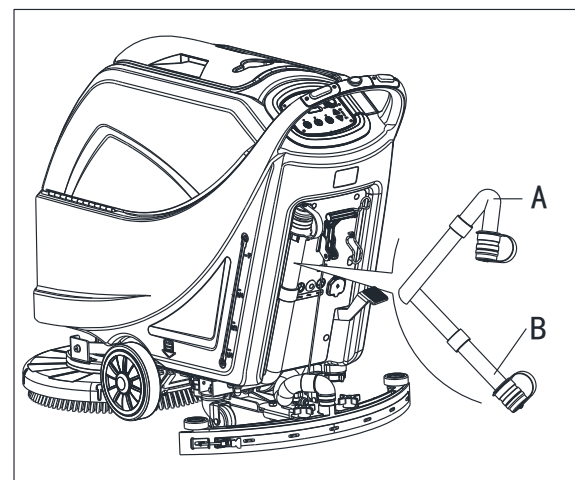


Figura 12

6. Realice los pasos 1 a 4.

**Vaciar el depósito de solución/agua limpia**

7. Vacíe el depósito de solución usando la manguera (A, Figura 13). Después del uso, enjuague el tanque con agua limpia.

**DESPUÉS DE USAR LA MÁQUINA**

Después de usar, antes de guardar la máquina:

1. Retire los portacepillos/porta-discos.
2. Vacíe los depósitos (B y C, Figura 13) tal y como se indica en el apartado anterior.
3. Vaciar el depósito de solución (Consejo).
4. Guarde la máquina en un lugar limpio y seco, con los portacepillos/porta-discos y la escobilla de goma levantados o desmontados.

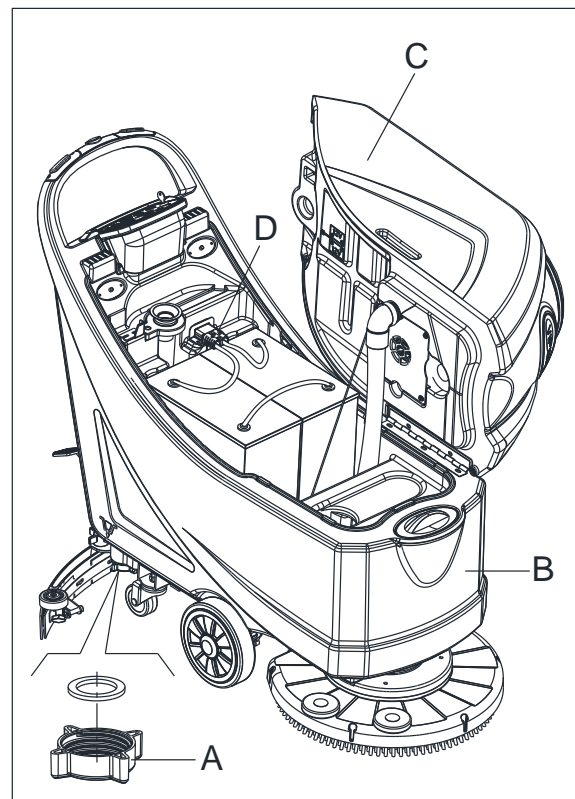


Figura 13

## INACTIVIDAD PROLONGADA DE LA MÁQUINA

Si la máquina no va a ser utilizada durante más de 30 días, proceda de la siguiente manera:

1. Realice los procedimientos que se muestran en el apartado Después de usar la máquina.
2. Desconecte el conector de la batería (54).

## PRIMER PERÍODO DE USO

Después de las primeras 8 horas, compruebe si los elementos de sujeción y unión de la máquina están bien apretados e inspeccione las partes visibles en busca de desgaste y fugas.

## MANTENIMIENTO



### ¡ADVERTENCIA!

Los procedimientos de mantenimiento deben ser realizados cuando la máquina está apagada y el cable del cargador de la batería está desconectado. Además, lea atentamente los capítulos de seguridad en el manual.

Todos los procedimientos de mantenimiento programado o extraordinario deben ser realizados por personal cualificado o un Centro de Servicio autorizado. Este manual sólo describe los procedimientos de mantenimiento generales y comunes.

Para otros procedimientos de mantenimiento que no están en la tabla abajo del programa de mantenimiento, por favor refiérase al Manual de Servicio que puede ser consultado en cualquier Centro de Servicio de nuestra empresa.

## TABLA DE MANTENIMIENTO PROGRAMADO



### PRECAUCIÓN!

El procedimiento marcado con (1) debe realizarse 9 horas después del primer uso de la máquina. El procedimiento marcado con (2) debe ser realizado por el Centro de Servicio designado por nuestra empresa.

Procedimiento	Diario, después de cada uso	Semanal	Cada 6 meses	Anualmente
Cargar la batería				
Limpiar la escobilla de goma				
Limpiar el cepillo/soprote de la almohadilla				
Limpiar los tanques				
Inspeccionar las tiras de sellado de los tanques				
Limpiar el filtro del flotador de bola				
Limpieza de almohadilla				
Inspección y cambio de las láminas de la boquilla de aspiración				
Limpiar el filtro de agua				
Limpiar el filtro de aspiración				
Control del nivel de líquido de la batería WET				
Inspeccionar si los tornillos y tuercas están bien apretados			(1)	
Aislante inferior			(2)	
Inspeccionar o reemplazar la escobilla de carbón del cepillo/soprote de del grupo de cepillo				(2)
Inspeccionar o reemplazar la escobilla de carbón del motor de aspiración				(2)
Inspección o cambio del cepillo de carbón del motor del sistema de accionamiento (solo para máquinas con tracción)				(2)

## CARGAR LA BATERÍA



### NOTA

Cargue las baterías cuando se ilumina la luz de aviso amarilla (F, Figura 14) o la roja (G), o al terminar la limpieza.



### PRECAUCIÓN!

El mantener las baterías cargadas prolongará su vida útil.



### PRECAUCIÓN!

Cuando las baterías están descargadas, cárguelas lo más pronto posible, ya que esta condición acortará su vida útil. Verifique el nivel de carga una vez por semana como mínimo.



### ¡ADVERTENCIA!

Durante la carga las baterías HÚMEDAS desprenden gas hidrógeno que es altamente explosivo. Cargue las baterías en áreas bien ventiladas y lejos de llamas descubiertas. No fume mientras se cargan las baterías. Mantenga el depósito abierto mientras se cargan las baterías.



### ¡ADVERTENCIA!

Durante la carga de las baterías preste especial atención ya que puede haber fugas de líquido de la batería. El líquido de la batería es corrosivo. Si entra en contacto con la piel o los ojos, enjuague con abundante agua y consulte a un médico.

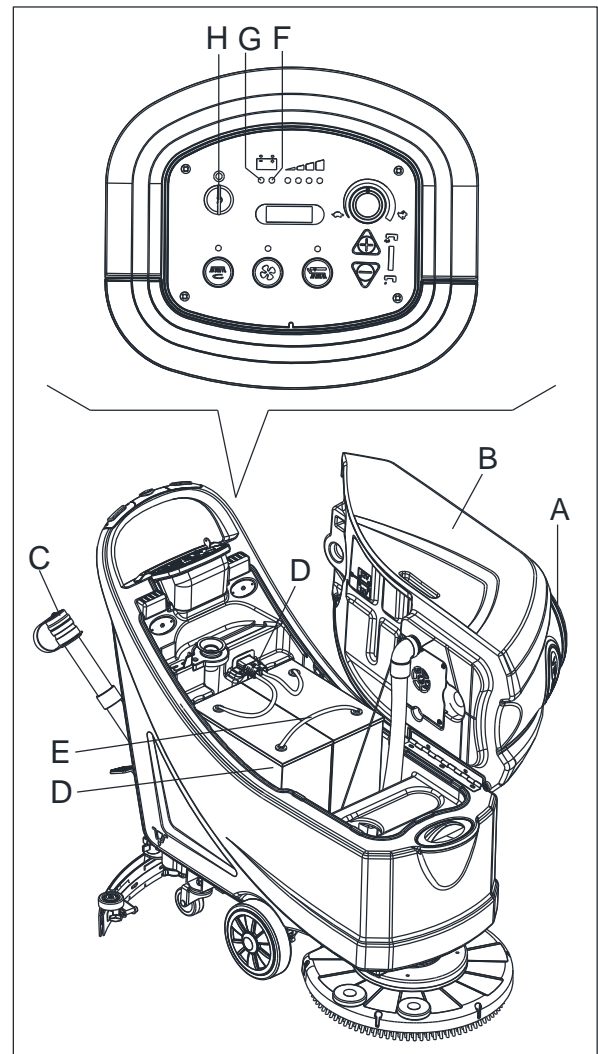


Figura 14

## Procedimientos preliminares

1. Abra la tapa (A, Figura 14) y compruebe si el depósito de agua sucia (B) está vacío, de lo contrario vacíelo mediante la manguera de desagüe (C).
2. Conduzca la máquina a una superficie nivelada.
3. Gire la llave de ignición (H) a la posición «0».
4. Levante la tapa con cuidado (B).
5. Para baterías HÚMEDAS únicamente:
  - Compruebe el nivel de electrolito en el interior de las baterías (D); si es necesario, rellene a través de las tapas (E).
  - Deje todas las tapas de la batería (E) abiertas hasta la próxima carga.
  - Si es necesario, limpie la superficie externa de las baterías (D).
6. Cargue las baterías de acuerdo con el siguiente procedimiento.

### Cargar las baterías con un cargador instalado en la máquina

7. Conecte el cable del cargador de baterías (A, Figura 15) a la red eléctrica (G) (la frecuencia y el voltaje de la red eléctrica debe ser compatible con los valores del cargador de baterías que aparecen en la placa de número de serie de la máquina (F). Cuando el cargador de baterías está conectado a la red eléctrica, todas las funciones de la máquina se desactivan automáticamente. Si la luz de aviso roja (B) en el panel de control del cargador de baterías permanece iluminada, esto significa que el cargador está cargando las baterías.
8. Cuando se ilumine la luz de aviso verde (C), la carga de la batería se ha completado.
9. Una vez que haya terminado la carga de la batería, desconecte el cable del cargador de baterías (A) de la red eléctrica (G) y enróllelo alrededor de la carcasa (D).
10. Baje el depósito con cuidado.



#### NOTA

Para obtener más información sobre el funcionamiento del cargador de baterías (E, Figura 15), consulte el manual correspondiente.

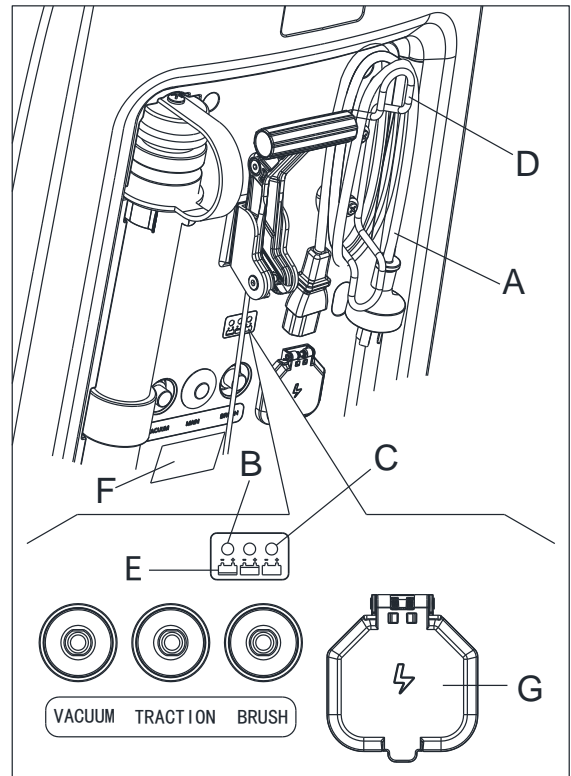


Figura 15

### LIMPIAR EL CEPILLO/DISCOS



#### PRECAUCIÓN!

Es aconsejable usar guantes de protección al limpiar el cepillo/almohadilla, ya que puede haber escombros cortantes.

1. Desmonte el cepillo/almohadilla de la máquina, tal y como se indica en el capítulo Uso.
2. Limpie y lave el cepillo/almohadilla con agua y detergente.
3. Compruebe que los cepillos/discos están en condiciones de uso y no excesivamente desgastados; si es necesario, cámbielos.

### LIMPIAR EL FILTRO DE SOLUCIÓN

1. Conduzca la máquina a una superficie nivelada.
2. Asegúrese de que la máquina está apagada y la llave de encendido (54) ha sido retirada.
3. Vacíe el depósito de solución (Consejo).
4. Retire la cubierta transparente (D) y a continuación retire el colador del filtro (E). Límpielos y móntelos en el soporte (F).



#### NOTA

El colador del filtro (E) debe ser colocado correctamente en la carcasa (H) del soporte (F).

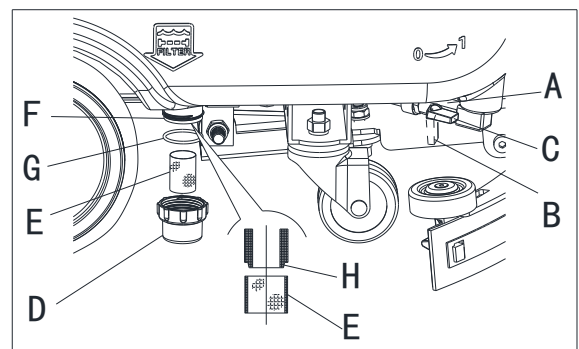


Figura 16

## LIMPIEZA DE LOS LABIOS

**NOTA**

La boquilla deben estar limpia igual que los labios de goma deben estar en buenas condiciones con el fin de conseguir un buen secado.

**PRECAUCIÓN!**

Es aconsejable usar guantes de protección al limpiar la escobilla de goma, ya que puede haber escombros cortantes.

1. Conduzca la máquina a una superficie nivelada.
2. Gire la llave de ignición (A, Figura 17) a la posición «0».
3. Baje la escobilla de goma (B) usando la palanca (C).
4. Afloje las perillas (D) y desmonte la escobilla de goma (B).
5. Desconecte el tubo de aspiración (E) de la escobilla de goma.
6. Limpie el escurrido de acero o aluminio (Figura 18). Limpie especialmente los compartimentos (A) y el orificio (B). Compruebe si la lámina delantera (C) y la posterior (D) están íntegras o tienen cortes y grietas; reemplácelas si es necesario (consulte el procedimiento en el siguiente apartado).
7. Monte la escobilla de goma en el orden inverso al desmontaje.

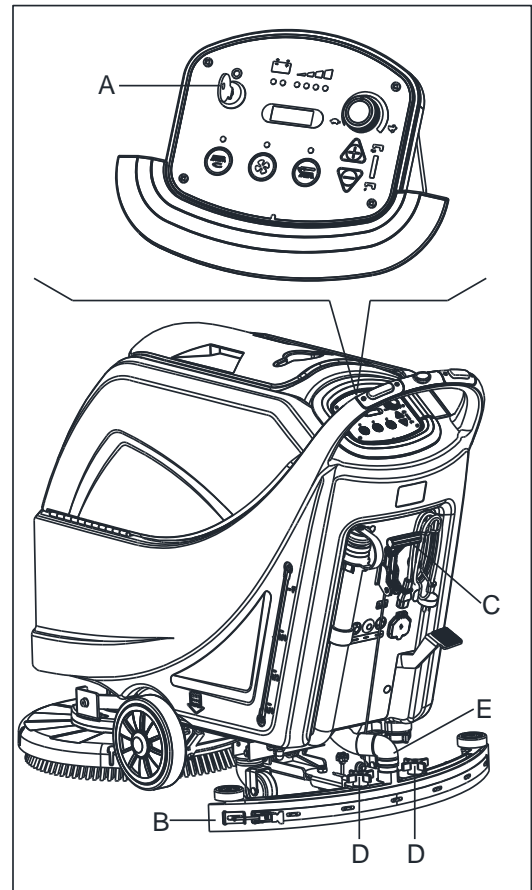


Figura 17

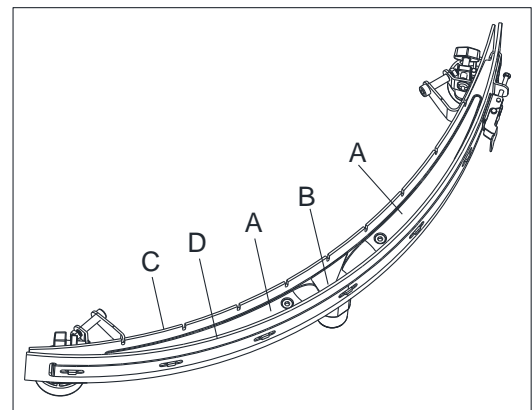


Figura 18

## INSPECCIÓN Y CAMBIO DE LAS LÁMINAS DE LA BOQUILLA DE ASPIRACIÓN

1. Limpie el escurridor de acero o de aluminio, tal y como se indica en el apartado anterior.
2. Compruebe si los bordes (E, Figura 20) de la lámina delantera (C) y los bordes (F) de la lámina posterior (D) están en el mismo nivel, en su longitud; si es necesario ajuste su altura de acuerdo con el siguiente procedimiento:
  - Retire la barra de unión (G), desenganche los elementos de fijación (M) y ajuste la lámina posterior (D), luego enganche los elementos de fijación (M) y vuelva a instalar la barra de unión (G).
  - Afloje las perillas (I) y ajuste la lámina delantera (C), luego apriete las perillas.
3. Compruebe si se detectan signos de desgaste, cortes y grietas en la lámina delantera (C) y en la posterior (D); si es necesario reemplácelas de acuerdo con el siguiente procedimiento. Compruebe si la esquina frontal (J) de la lámina posterior (D) está desgastada; si es necesario, dé la vuelta a la lámina para sustituir la esquina desgastada con la íntegra. Si ambas las esquinas están demasiado desgastadas, reemplace la lámina de acuerdo con el siguiente procedimiento:
  - Retire la barra de unión (G), desenganche los elementos de fijación (M) y retire el listón de retención (K). A continuación, reemplace/dé la vuelta a la lámina posterior (D). Monte la lámina en el orden inverso al desmontaje.
  - Desenrosque las perillas (I) i retire el listón de retención (L), a continuación, reemplace la lámina delantera (C). Monte la lámina en el orden inverso al desmontaje. Después de la sustitución (o la vuelta) de la lámina, ajuste la altura como se muestra en el paso anterior.
4. Conecte el tubo de aspiración (A, Figura 19) con la escobilla de goma.
5. Monte la escobilla de goma (B) y enrosque las perillas (C).
6. Si es necesario, ajuste el balance de la escobilla mediante la perilla de ajuste (D).

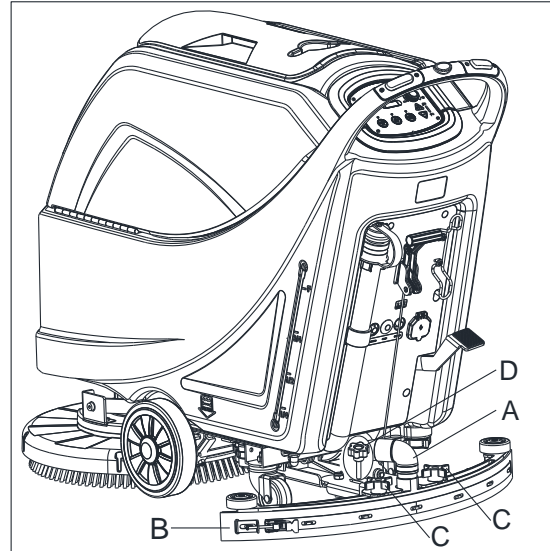


Figura 19

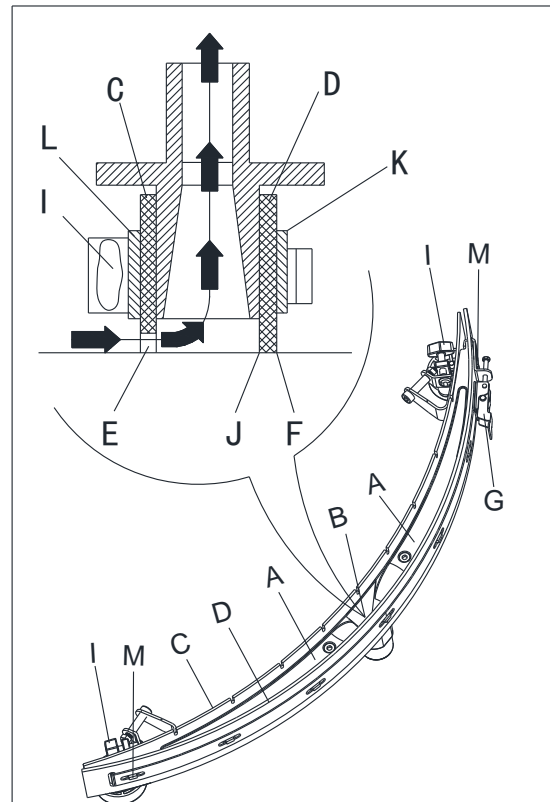


Figura 20



## REJILLA DEL DEPÓSITO Y DE LA ASPIRACIÓN CON LIMPIEZA DEL FLOTADOR E INSPECCIÓN DE LA JUNTA DE LA TAPA

1. Conduzca la máquina a una superficie nivelada.
2. Asegúrese que la máquina está apagada y la llave de ignición (54) ha sido retirada.
3. Gire la tapa del tanque de recuperación (A, Figura 21) a la posición de 90 grados, donde se puede despegar del tanque, y luego desmonte el filtro de flotador de bola (P) del tanque.
4. Limpie la tapa del tanque de recuperación (A), tanque de recuperación (B), el tanque de agua limpia (C) y el marco de soporte de filtro del flotador (E). Vacíe el tanque de recuperación usando la manguera de vaciado (B, Figura 23).
5. Si es necesario, siga los símbolos "ABIERTO" y "CERRADO", como se muestra en la (Figura 21) para abrir la tapa inferior (F) del filtro del flotador de bola y luego limpiar la bola del flotador (D), el marco de soporte del filtro (E) y la esponja de filtro (I). Después de la limpieza, fije la bola del flotador (D) en el marco de soporte del filtro (E) y luego alinee la ranura de marca (L) de la tapa inferior (F) del filtro del flotador con la ranura de marca (L) del marco de soporte del filtro del flotador (E). Enrosque la tapa inferior del filtro flotador de bola apretándola bien, y fije la esponja del filtro (I) en el marco de soporte del filtro del flotador (E). Por último, conecte la manguera de aspiración de agua sucia (M).
6. Inspeccione la integridad de las tiras de sellado de los tanques.



### NOTA

La tira de sellado del tanque (G) sirve para producir el vacío dentro del tanque cuando funciona el motor de aspiración. El tanque debe ser sellado para poder absorber eficazmente el agua del suelo hasta el depósito de recuperación.

7. Compruebe si la superficie de contacto de la tira de sellado (G) de sellado es íntegra y el sellado es suficiente. Si es necesario, saque la tira de sellado del tanque a través de la ranura (H) y reemplácela. Aplique una nueva tira de sellado como se muestra en la (Figura 21), la junta debe estar de vuelta en la zona media.
8. Cierre la tapa del tanque de recuperación (A).

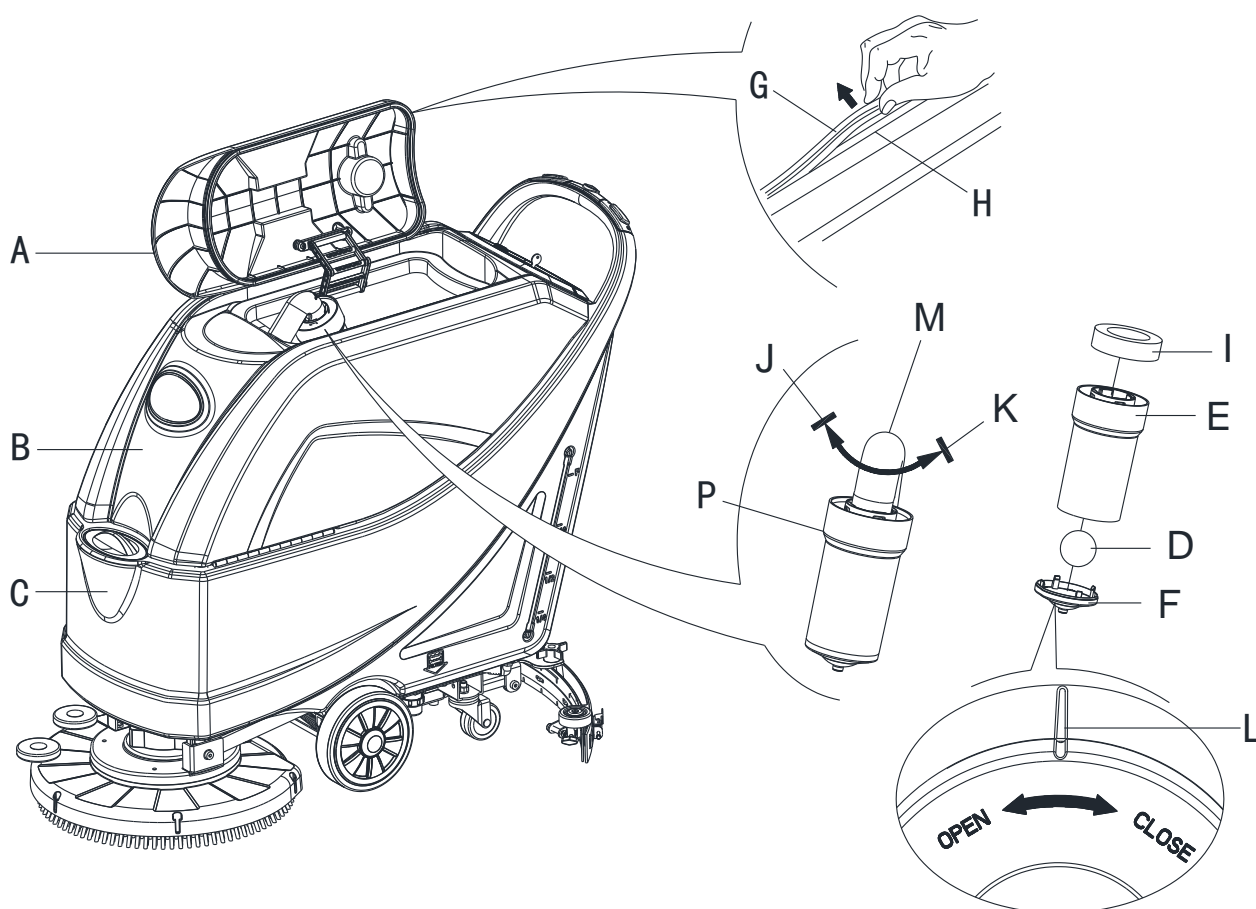


Figura 21

## REGISTRO DE LAS HORAS FUNCIONAMIENTO DE LA MÁQUINA

1. Gire la llave de ignición (A, Figura 22) a la posición «I».
2. Pulse el interruptor (B) y compruebe el cronómetro (C) para ver el número total de horas de trabajo (fregado/secado) realizadas por la máquina.
3. Pulse el interruptor (B) otra vez.
4. Gire la llave de ignición (A) a la posición «0».

## INSPECCIÓN/CAMBIO DEL FUSIBLE

1. Gire la llave de ignición (A, Figura 22) a la posición «0».
2. Desconecte el cable de alimentación (C, Figura 23) de la red eléctrica.
3. Retire los tornillos (C, Figura 24) en el panel de control (D), a continuación, dé la vuelta al Tablero del panel de control (PCB) para encontrar el fusible (A, B, Figura 24).
4. Inspeccione/cambie los siguientes fusibles:
  - A) Fusible F1, fusible de circuito de baja tensión: (5A)
  - B) Fusible F3, fusible de liberación del cepillo: (20A)
5. Lleve a cabo los pasos de 1 a 3 en el orden inverso.
6. Inspeccione/presione hacia abajo o cambie los siguientes disyuntores:
  - E) Disyuntor F5, disyuntor del motor de aspiración: (30A) (solo para la máquina de discos)
  - F) Disyuntor F4, disyuntor del sistema de accionamiento: (17A) (\*) (solo para la máquina de discos)
  - G) Disyuntor F2, disyuntor del motor del cepillo: (30A)

(\*): Solo para máquinas con tracción

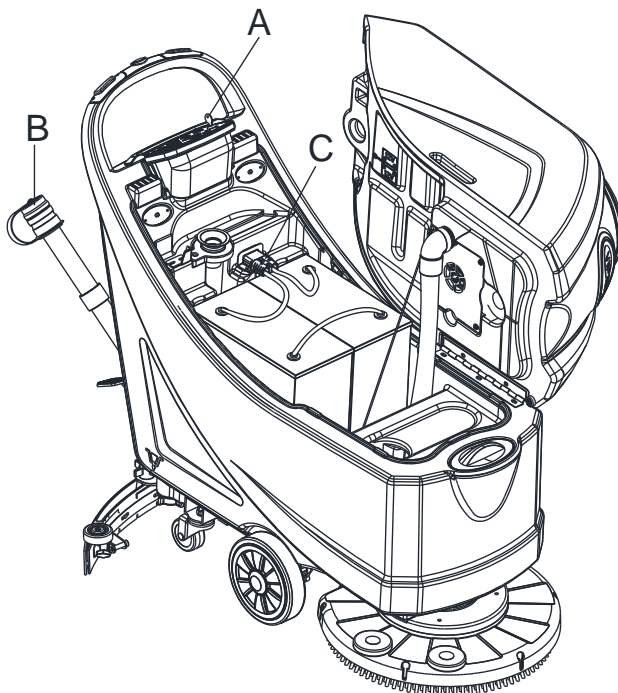


Figura 23

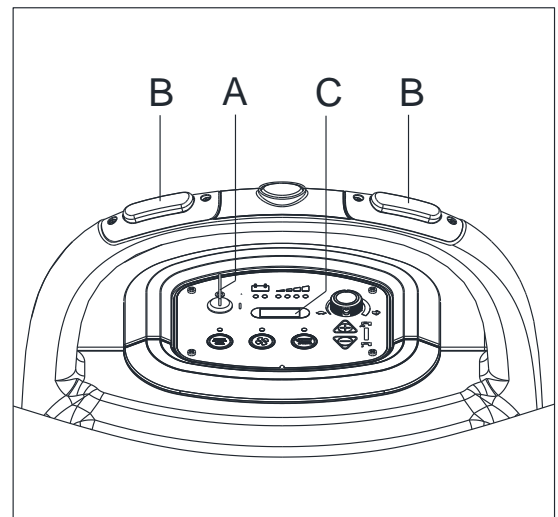


Figura 22

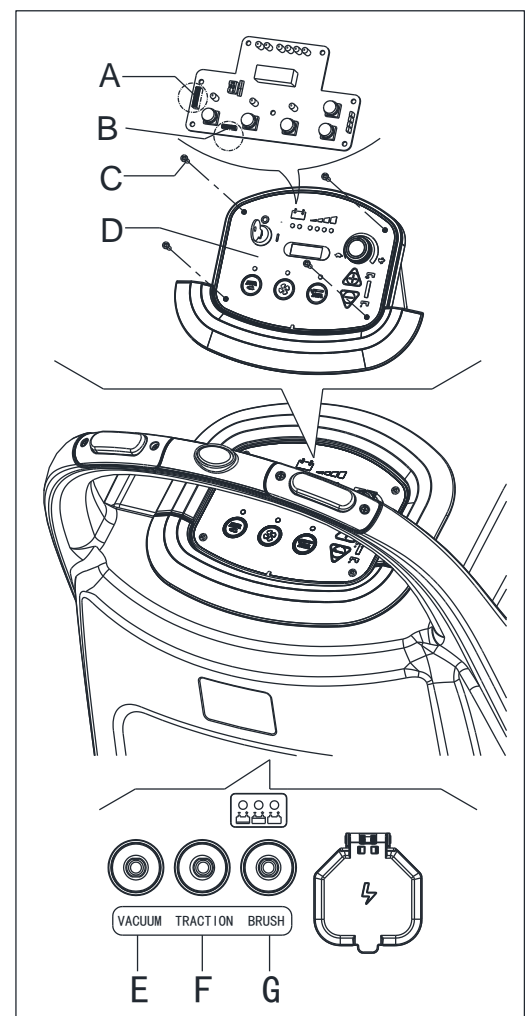


Figura 24

## ACCESORIOS/OPCIONES

Además de los componentes estándar, la máquina puede equiparse con los siguientes accesorios/opciones, de acuerdo con su uso específico:

Para más información sobre los accesorios opcionales mencionados anteriormente, póngase en contacto con un distribuidor autorizado.

### ACCESORIOS/OPCIONES

Consulte la sección «Lista de piezas»

1. Baterías de GEL/AGM
2. Discos de diferentes materiales

## RESOLUCIÓN DE PROBLEMAS

Problema	Causa probable	Remedio
Los motores no arrancan; no se iluminan las luces de aviso.	El conector de la batería está desconectado.	Conecte el conector de la batería.
	Las baterías están completamente descargadas.	Cargue las baterías
La máquina no se mueve (Solo para máquinas con tracción)	La máquina se ha encendido con la llave de ignición y manteniendo pulsado uno de los interruptores.	Gire la llave de ignición a la posición «0», luego vuelva a intentar a poner la máquina en marcha sin pulsar los interruptores.
Los tres indicadores de carga están parpadeando al mismo tiempo.	Sobrecarga del motor del cepillo.	Utilice cepillos menos agresivos.
	Hay cuerpos extraños (hilos enredados, etc.) que pueden impedir la rotación del cepillo.	Limpie el eje del cepillo.
Los cepillos no funcionan, la luz de aviso roja está iluminada.	Las baterías están descargadas.	Cargue las baterías
La aspiración de agua sucia es insuficiente.	El depósito de agua sucia está lleno.	Vacíe el depósito.
	La manguera está desconectada de la escobilla de goma.	Conéctelo.
	La rejilla de aspiración está obstruida o el flotador está atascado y cerrado.	Limpie la rejilla y compruebe el flotador.
	La escobilla de goma está sucia o las láminas están dañadas y desgastadas.	Limpie y compruebe la escobilla de goma.
	La tapa del depósito no está cerrada bien, o la junta está dañada o el tubo curvado está obstruido.	Cierre la tapa bien, o cambie la junta o limpie el tubo curvado.
El depósito de recogida de agua sucia está sucio.	Límpielo.	
El flujo de solución a los cepillos no es suficiente.	El filtro de solución/agua limpia está sucio.	Limpie el filtro.
La escobilla de goma deja rastros en el suelo.	Bajo las láminas de la escobilla de goma se han acumulado escombros.	Elimine los escombros.
	Las láminas de la escobilla están desgastadas, astilladas o rasgadas.	Reemplace las láminas.
	La escobilla de goma no se ha ajustado con la perilla.	Ajuste.

### NOTA



**Máquina con cargador de baterías instalado, no puede funcionar si el cargador no está a bordo. En caso de mal funcionamiento del cargador de baterías, póngase en contacto con un centro de servicio autorizado.**

**Para más información consulte el Manual de servicio, disponible en cualquier Centro de Servicio.**

## DESGUACE

Deseche la máquina mediante una institución de tratamiento de residuos calificada.

Antes de desechar máquina, por favor lleve y separe el subconjunto a continuación que debe eliminarse en forma adecuada según las leyes y reglamentos pertinentes.

- Batería
- Cepillo/Soporte de la almohadilla
- Manguera y piezas de plástico
- Componentes eléctricos y electrónicos (\*)

(\*) Por favor, póngase en contacto con el centro de servicio de la compañía para desechar los componentes eléctricos y electrónicos.



**Nilfisk Inc.**  
**9435 Winnetka Avenue North**  
**Minneapolis, MN 55445**  
**[www.usvipер.com](http://www.usvipер.com)**