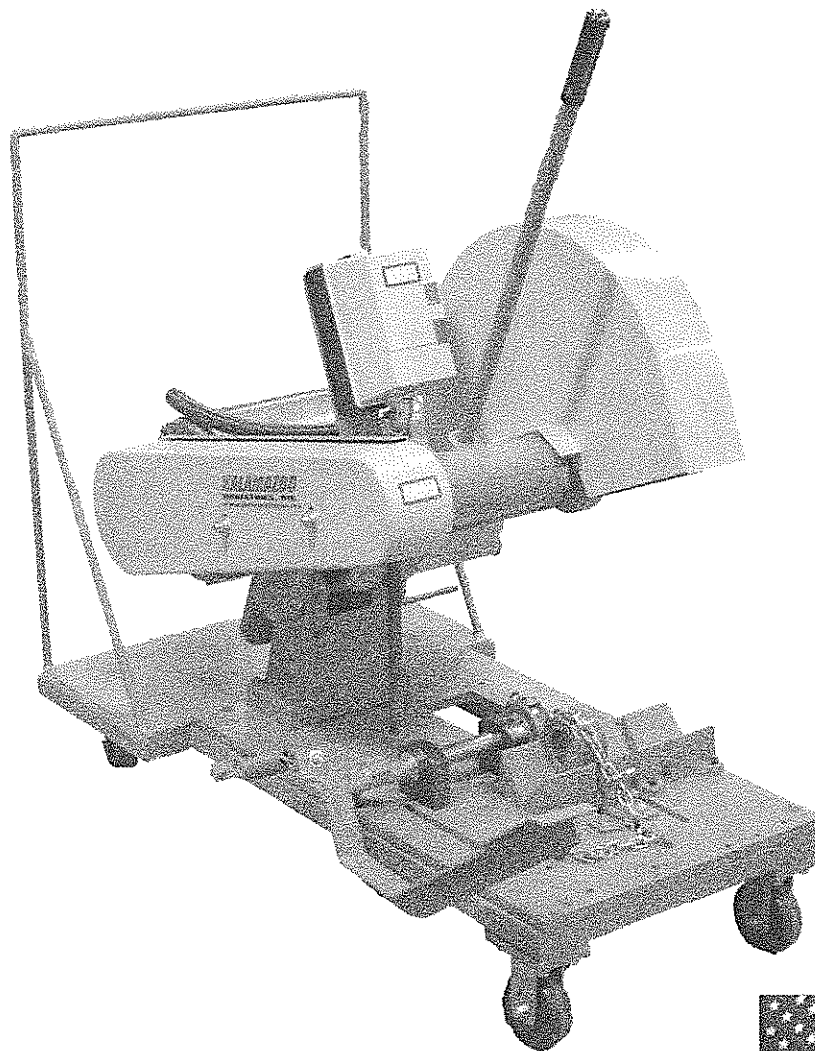


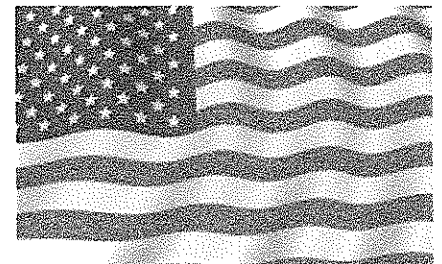
KALAMAZOO Industries Inc.

6856 East K Ave - Kalamazoo, MI 49048-6042
www.kalamazooind.com

K16-18WR 18 inch wire rope abrasive cutoff saw Instruction Manual



Phone: (269) 382-2050
Fax: (269) 382-0790
Email: info@kalamazooind.com



MADE IN USA!

WARNING!

**TO REDUCE THE RISK OF FIRE OR SHOCK HAZARD,
DO NOT EXPOSE THIS EQUIPMENT TO RAIN, ANY LIQUID OR MOISTURE.**

READ AND UNDERSTAND ALL SAFETY PRECAUTIONS AND OPERATING INSTRUCTIONS BEFORE OPERATING UNIT

OPERATING INSTRUCTIONS

INSPECT YOUR NEW UNIT CAREFULLY FOR SIGNS OF SHIPPING DAMAGE. IF DAMAGED, PLEASE CONTACT CARRIER AND SUBMIT A CONCEALED DAMAGED REPORT. DO NOT RETURN GOODS TO US WITHOUT OUR RGA NUMBER AND SHIPPING INSTRUCTIONS. SEE BACK PAGE FOR RETURN POLICY AND WARRANTY.

BEFORE STARTING OR CONNECTING ELECTRICALS VERIFY THE PHASE AND VOLTAGE OF THE UNIT.

BE SURE MACHINE IS BALANCED CORRECTLY SO IT WILL NOT TIP OVER.

TO GUARD AGAINST CONCEALED DAMAGE, STAND CLEAR AND OBSERVE UNIT FOR THE FIRST FEW MINUTES OF OPERATION. GUARDS MUST NEVER BE REMOVED.

ABRASIVE SAW SAFETY

NEVER REMOVE SAFETY GUARDS FROM MACHINE. DISCONNECT POWER SOURCE BEFORE MAKING ANY MACHINE ADJUSTMENTS

ELECTRIC MACHINES ARE NOT INTENDED FOR USE IN OR NEAR WATER. THIS INCLUDES AN OPERATOR STANDING ON A WET FLOOR.

DO NOT USE AROUND FLAMMABLE MATERIALS OR LIQUIDS.

MACHINES SHOULD BE OPERATED IN VENTILATED AREAS.

ALWAYS WEAR SAFETY GLASSES OR A FULL FACE SHIELD FOR PROTECTION.

KEEP HANDS CLEAR OF THE CUTTING AREA.

DO NOT WEAR GLOVES OR LOOSE FITTING CLOTHES WHEN OPERATING THIS MACHINE.

ALWAYS KEEP HAIR TIED BACK OR COVERED.

ALWAYS KEEP FLANGES CLEAN AND TIGHT AGAINST CUTTING WHEEL.

ABRASIVE MACHINES ARE FOR ABRASIVE WHEELS NOT STEEL TOOTHED BLADES. DO NOT ATTEMPT TO USE STEEL BLADES UNLESS CORRECTLY GUARDED WITH AN ENCLOSED WHEEL GUARD. KEEP STEEL BLADES FULLY RETRACTED INTO WHEEL GUARD WHEN DONE CUTTING.

ALWAYS KEEP WHEEL GUARD IN DOWN POSITION.

BE SURE WORK PIECE IS CLAMPED SECURELY IN VISE BEFORE CUTTING.

WARNING!!!

IMPROPER USE MAY CAUSE BREAKAGE AND SERIOUS INJURY.

DO

1. DO always handle and store wheels in a careful manner.
2. DO visually inspect all wheels before mounting for possible damage.
3. DO check machine speed against the established maximum safe operating speed marked on the wheel.
4. DO check mounting flanges for equal and correct diameter.
5. DO use mounting blotters when supplied with wheels.
6. DO always use a safety guard covering at least one-half of the abrasive wheel.
7. DO allow newly mounted wheels to run at operating speed, with guard in place, for at least one minute before cutting.
8. DO always wear safety glasses or some type of eye protection when cutting.

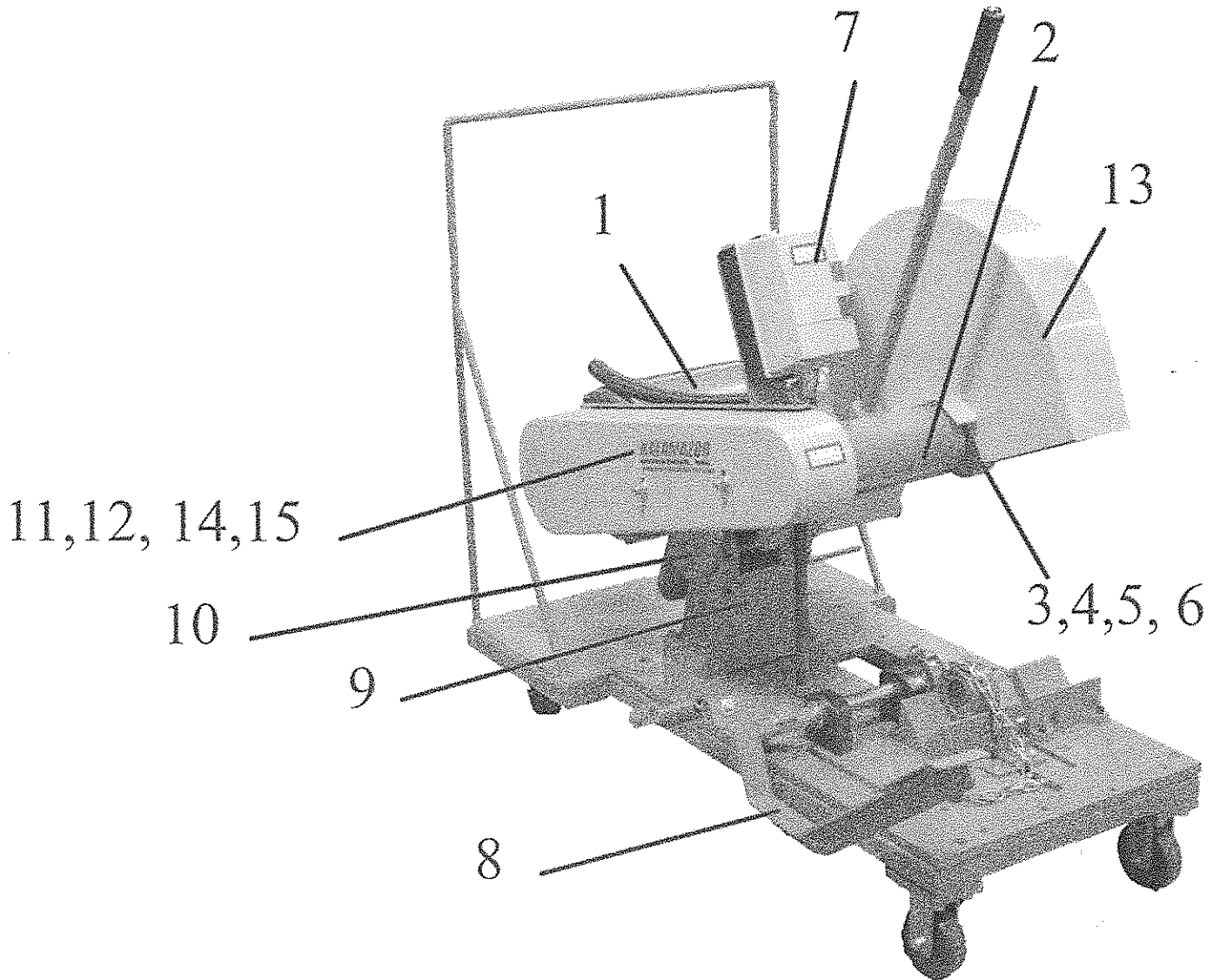
DON'T

1. DON'T use a cracked wheel or one that has been dropped or has become damaged.
2. DON'T force a wheel onto the machine or alter the size of the mounting hole-if wheel won't fit the machine, get one that will.
3. DON'T ever exceed maximum operating speed established for the wheel.
4. DON'T use mounting flanges on which the bearing surfaces are not clean, flat and free of burrs.
5. DON'T tighten the mounting nut excessively.
6. DON'T start the machine until the wheel guard is in place.
7. DON'T jam work into wheel.
8. DON'T force cutting so that motor slows noticeably or work gets hot.
9. DON'T wear gloves when operating machine.

KI KALAMAZOO Industries Inc.

6856 East K Ave - Kalamazoo, MI 49048-6042
www.kalamazooind.com

Parts Lists



Parts list

Number	Part Number	Description	Quantity	
1	486-019	10HP 3PH	1	
2	002-005	Saw Arm	1	
3	701-010	Spindle w/tight flange	1	Not Shown
4	292-011	Loose flange	1	Not Shown
5	537-027	Spindle nut	1	Not Shown
6	044-001	Spindle bearings	2	Not Shown
7	710-137	440V switch	1	
7	710-138	230V switch	1	
8		Chain vise assembly	1	
9	831-021	Trunnion	1	
10	700-003	Trunnion pin	1	
11	342-039	V-belt guard	1	
12	051-005	v-belts	4	Not Shown
13		Wheel Guard	1	
14	560-046	Motor Pulley	1	Not Shown
15	560-047	Spindle Pulley	1	Not Shown

Chain Vise operation

Remove chain from clasp place part up against the fence drape chain over the part and replace chain in clasp. Place foot onto pedal and hold while cutting.