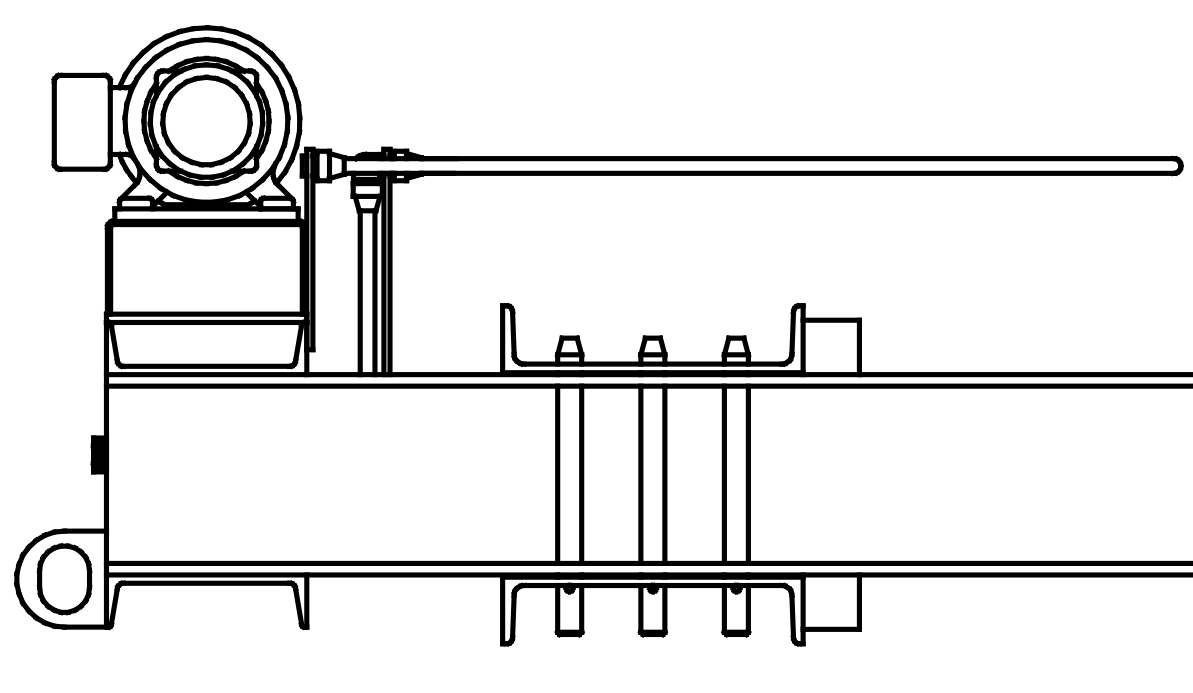


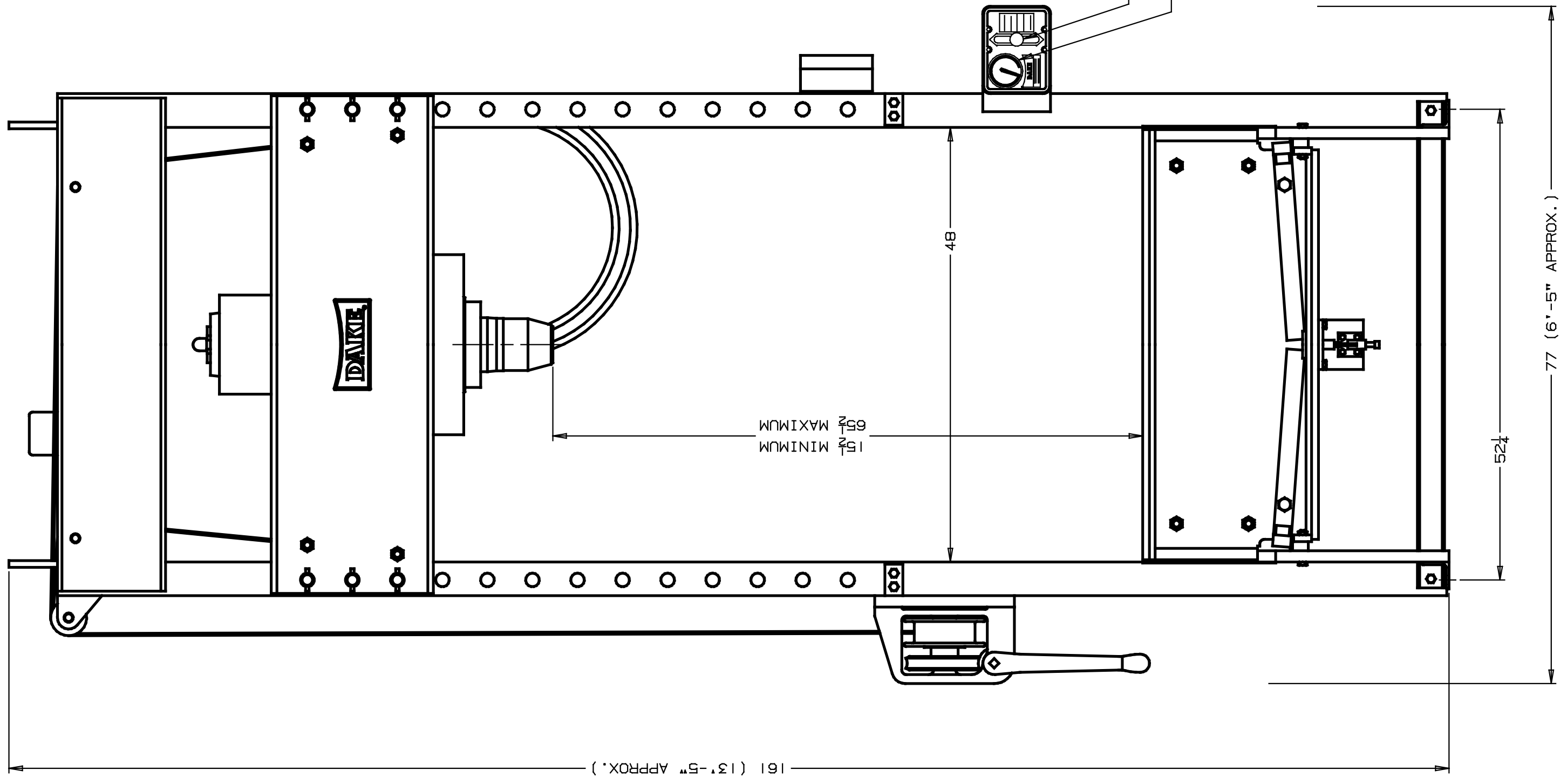
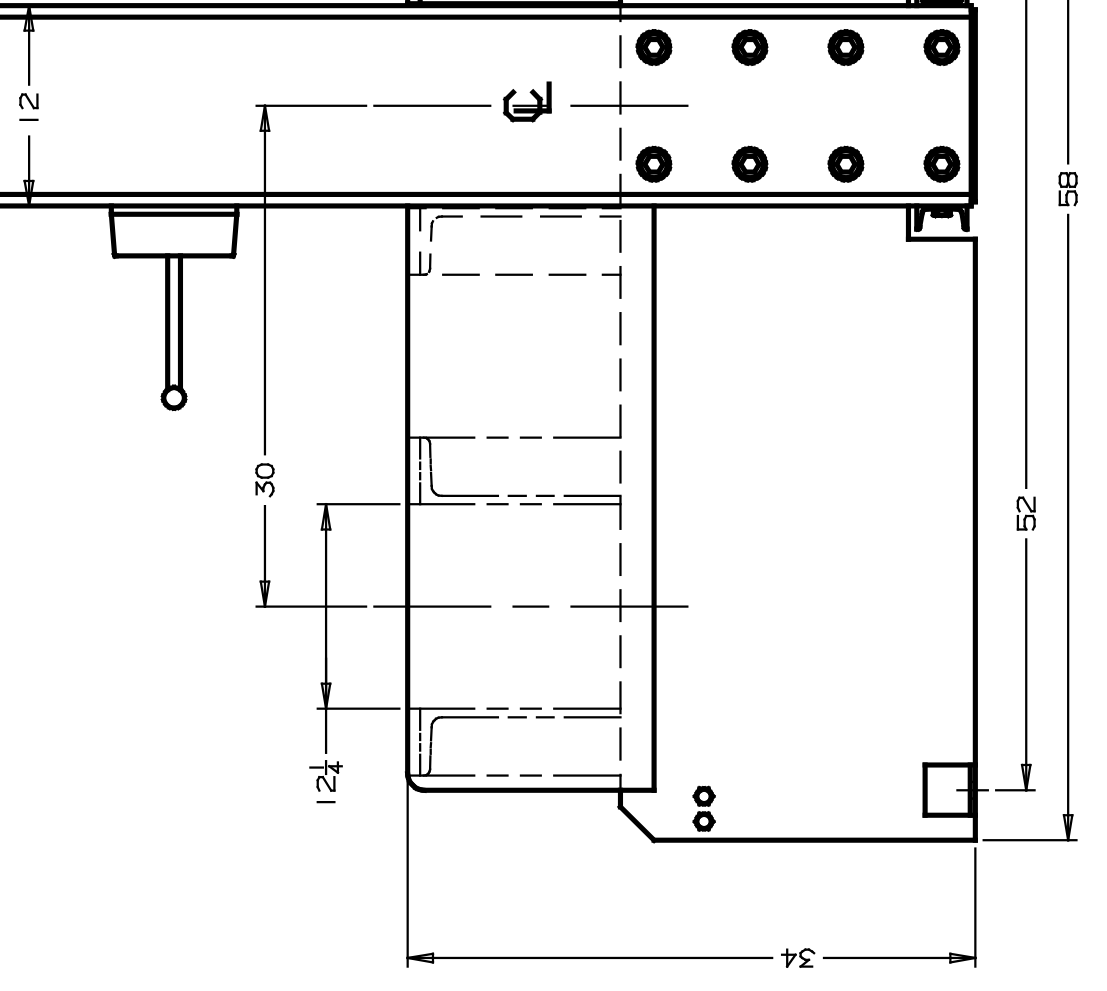
W/CHG. TOLERANCE UNLESS SPECIFIED. UNDESIGNED DIMENSIONS NOT TO SCALE.
 FRACTIONAL: +.010 BREAK EDGES
 DECIMAL: .0005 REMOVE BURRS
 LABEL: +.002

CAPACITY - PRESSING: 150 TONS
 STROKE - 16 INCHES
 RAM SPEEDS - USING A 10 H.P., 1800 R.P.M., 3 PH.,
 60 CYCLE, 230/460 VOLT, T.E.F.C. MOTOR -
 PRESSING: 17 I.P.M.
 RETURN: 38 I.P.M.
 POWER SOURCE VOLTAGE: _____ VOLTS



MOTOR START
 MOTOR STOP

(4) CLEARANCE HOLES FOR
 3/4" DIA. ANCHOR BOLTS



DAKE		150 TON ELEC-DRAULIC II MOVABLE TABLE PRESS	
GRAND HAVEN, MICH.	SCALE: 1/2"=1'-0"	STOCK NO.	USED ON
DR. S. J. TR.	BY: S. J. TR.	FILE NO.	DRW. NO. 942503
DATE: 11/08/05	BY: S. J. TR.	APPROVED BY:	
REWORK ON CAD	CHANGES	DATE	SYN.
CHANGES	DATE	SYN.	