



E29926-00 - 26" w/Wet Batteries
E29927-00 - 26" w/AGM Batteries
E29931-00 - 32" w/Wet Batteries
E29932-00 - 32" w/AGM Batteries



STEALTH™ DRS RIDER SERIES

**26" and 32"
Automatic Rider
Scrubbers**



Operator Manual

TABLE OF CONTENTS

RECEIVING THE MACHINE.....	3
TECHNICAL SPECIFICATIONS.....	4
GENERAL SAFETY REGULATIONS.....	5
MACHINE PREPARATION.....	6 - 14
OPERATION	15
AT END OF WORK.....	16
DAILY MAINTENANCE.....	17 - 19
WEEKLY MAINTENANCE.....	20
IRREGULAR MAINTENANCE.....	21
TROUBLESHOOTING	22 - 23
CHOOSING AND USING THE BRUSHES.....	23
STEALTH BRUSH OPTIONS AND COMMON PARTS	23
WARRANTY	24

RECEIVING THE MACHINE

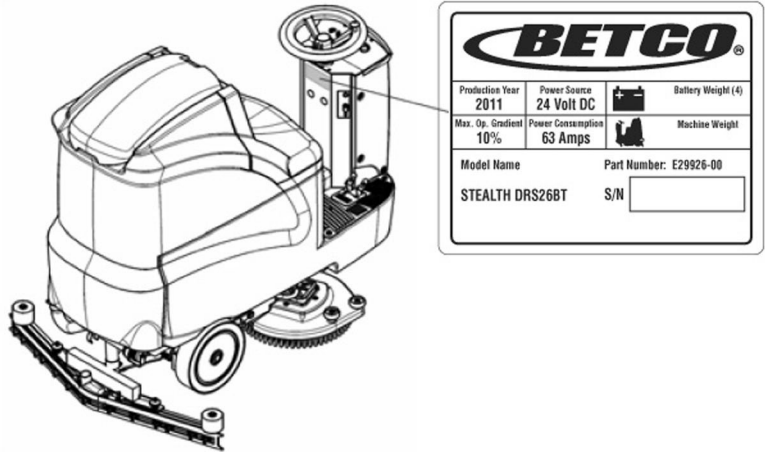
Immediately check, when receiving the machine, that all the materials indicated on delivery documents have been received and also that the machine has not been damaged in transit. If it has been damaged, this damage must be immediately reported to the shipper and also to our customer service department. Only acting promptly in this manner will make it possible to receive missing material and to be compensated for damage.

INTRODUCTION

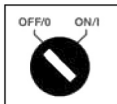
This is an automatic scrubber which, via the mechanical action of the rotating brush and the chemical action of a water/detergent solution, can clean many types of hard flooring. As it advances, it also collects the dirt removed and the detergent solution not absorbed by the floor.

The machine must be used only for this purpose. Even the best machines will only work well if used correctly and kept in good working order. We therefore suggest you read this instruction booklet carefully and re-read it whenever difficulties arise while using the machine. Please contact our technical service department or your dealer if you have any questions about the machine.

Serial # Plate



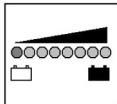
SYMBOLS USED ON THE MACHINE



Main Key Switch Symbol. Used on the control panel to indicate the key switch position for ON or OFF.



Operation Symbols. Used to indicate the I-DRIVE programs selector.



Battery Discharge Symbol. Symbol denoting the battery discharge indicator.



Pedal Symbol. Used to indicate the direction of the machine.



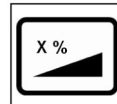
Horn Symbol. Symbol denoting the audible horn button.



Solution Flow Control Symbol. Used on the steering column to indicate the knobs for adjusting the amount of water distributed to the brush deck.



Pressure Brush Deck Symbol. Symbol used to indicate the pedal that increases pressure on the brush deck.



Gradient Symbol. Indicates the maximum operating gradient.



Parking Brake Symbol. Used to indicate the parking brake lever of the machine.

TECHNICAL DESCRIPTION	Measurement Unit	Stealth™ DRS26 / 32BT
Working width	In (cm)	26 (65) / 32 (80)
Rear squeegee width	In (cm)	37 (94) / 44 (110)
Work capacity	ft ² /h	42,000 / 55,000
Water consumption	g/hr	0.5
Brush & Pad (diameter)	in (cm)	13 (32.5) / 16 (40)
Brush RPM	RPM	170
Brush pressure	lb. (Kg)	140 (63)
Brush motor	V / HP	24 / 0.6 (2)
Drive Type		Automatic
Vacuum motor	V / HP	24 / 0.5
Vacuum motor suction	inches of water (mbar)	75.6 (188)
Solution tank capacity	Gal (l)	29 (110)
Recovery tank capacity	Gal (l)	33 (125)
Weight of machine (excluding batteries)	lb. (Kg)	490 (225)
Batteries	V / Ah	6 / 235 (4) or 6 / 200 (4)
Charger	V / A	24 / 25
Machine dimensions (Length / Height / Width)	in x in x in	59 x 52 x 28 / 59 x 52 x 34
Noise level	dBA	58

GENERAL SAFETY REGULATIONS

The regulations below must be carefully followed in order to avoid harm to the operator and damage to the machine.

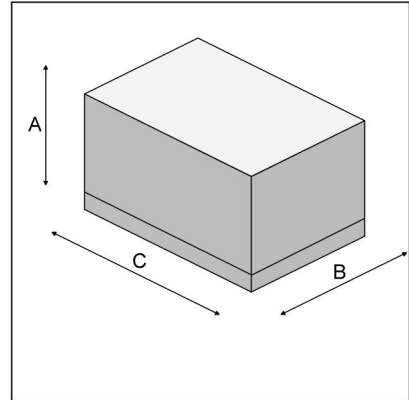
- Read all labels on the machine carefully. Do not cover them for any reason and replace them immediately if they become damaged.
- The machine must be used exclusively by authorized and trained personnel.
- When operating the machine be careful of other people.
- The machine is not designed for cleaning carpets.
- The power cable outlet must be provided with a proper ground.
- Avoid damaging the power cable of the battery charger by crushing, bending, cutting or stressing it.
- Whenever the power cable of the battery charger is damaged, immediately contact a BETCO service center.
- Do not mix different types of detergent as this may produce harmful gases.
- Do not set containers on the machine.
- Machine storage temperature is between -10°F and 130°F, never store outside under humid conditions.
- Operating conditions: room temperature between 33°F and 100°F with relative humidity between 30% to 95%.
- Only use the machine in closed areas and do not expose it directly to rain.
- Never use the machine in an explosive environment.
- Do not use the machine as a means of transport.
- Never use acidic chemicals which could damage the machine.
- Avoid running the brushes with the machine stopped; this could damage the floor.
- Never vacuum up flammable liquids.
- Never use the machine to gather dangerous powders.
- Use a powder fire extinguisher in case of fire. Do not use water.
- Do not hit against shelving or scaffolding. The operator must always be equipped with the appropriate safety device (gloves, shoes, helmet, glasses, etc.)
- Do not use the machine on surfaces with an inclination greater than the one shown on the serial plate.
- The machine is designed to wash and dry floors simultaneously. Signal the presence of wet floors with suitable signs.
- If the machine does not work properly, perform routine maintenance. Otherwise, request the assistance of the BETCO technical service.
- When replacing parts ask for ORIGINAL spare parts from your Authorized BETCO Dealer and/or Retailer.
- Always turn off the machine and disconnect the battery connector whenever maintenance is performed.
- Never remove guards that require tools for removal.
- **Never wash the machine with direct or pressurized jets of water or with corrosive substances.**
- Have your BETCO service center check the machine once a year.
- To prevent the formation of scale in the solution tank filter, do not store the machine with detergent solution in the tanks.
- Before using the machine make sure that all doors and covers are positioned as shown in this operating and maintenance manual.
- When your BETCO machine is ready to be retired, the machine must be disposed of properly. It contains oils and electronic components. The machine was built using totally recyclable materials.
- Use only brushes furnished with the machine or those specified in the user's manual. Use of other brushes can compromise safety.
- When removing the battery, unplug the battery connection, unplug the charger and disconnect the battery terminals.
- Before recycling the machine, remove the battery.

MACHINE PREPARATION

1. HANDLING THE PACKED MACHINE

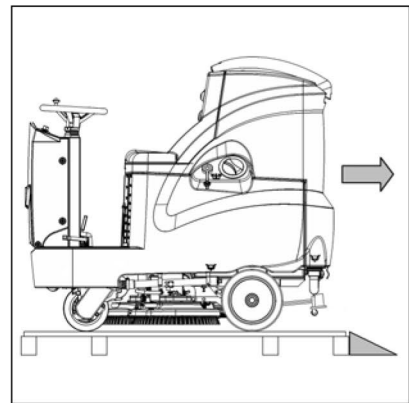
The machine is contained in specific packaging with a pallet for handling with fork trucks. The packages cannot be placed on top of each other. The dimensions of the packaging is as follows:

- A: 63.25"
- B: 28.75"
- C: 63.00"



2. HOW TO UNPACK THE MACHINE

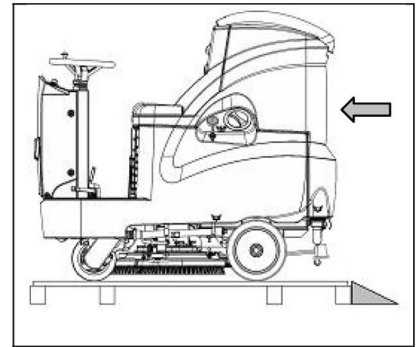
- Begin by removing the outer corrugated box.
- The machine is fixed to the pallet with wedges to block the wheels in place.
- Remove the wedges from the pallet.
- Use a ramp to get the machine off the pallet, pushing it backwards.
- Do not install the rear squeegee assembly before unloading the machine.
- Avoid violently jolting the brush base when removing the machine from a pallet.
- Keep the pallet for any future transport needs.



MACHINE PREPARATION

3. HOW TO TRANSPORT THE MACHINE

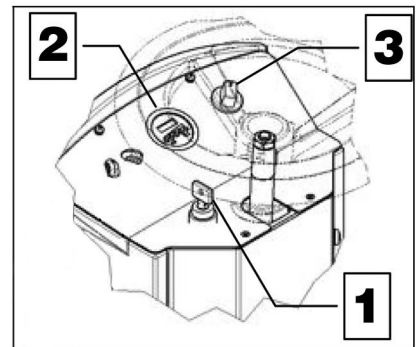
- Make sure the recovery tank and solution tank are empty.
- Check that the key switch is OFF and remove the key.
- Check that the brush deck is lifted off the ground and the squeegee assembly and brushes/pad drivers have been removed from the machine.
- Place it on a pallet using a ramp.
- Engage the parking brake.
- Secure the machine to the pallet using wood blocks in front and behind all of the tires.
- Use vinyl banding to strap the machine to the pallet.



4. INSTRUMENT PANEL COMPONENTS

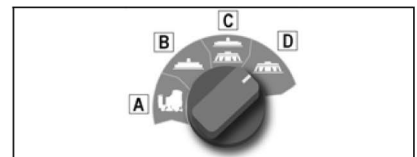
The instrument panel components are identified as follows:

1. Main Key Switch
2. Battery Discharge Indicator and Hour Meter
3. Operation Switch, I-DRIVE Device



Choose the desired operating program with the I-DRIVE device:

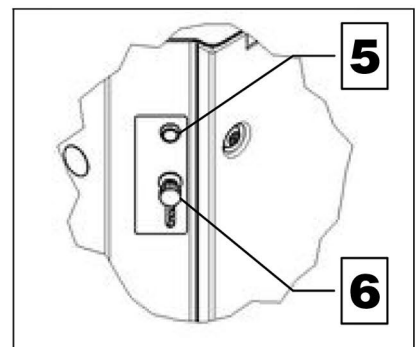
- A. Transfer: Movement of the machine without working.
- B. Drying: Use the squeegee only.
- C. Scrubbing and Drying: Use both the scrub brushes and the squeegee.
- D. Scrubbing Only: Use the scrub brushes only.



5. STEERING COLUMN COMPONENTS

The steering column components are identified as follows:

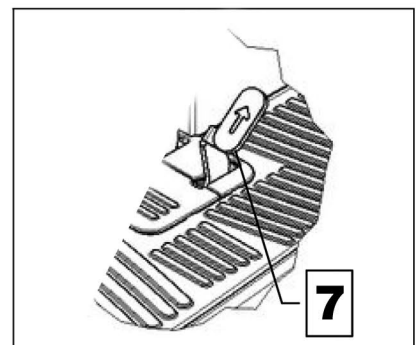
5. Horn Button
6. Solution Flow Adjustment Lever



6. RIGHT SIDE FOOTBOARD COMPONENTS

The components on the right side of the footboard are identified as follows:

7. Accelerator pedal, forward

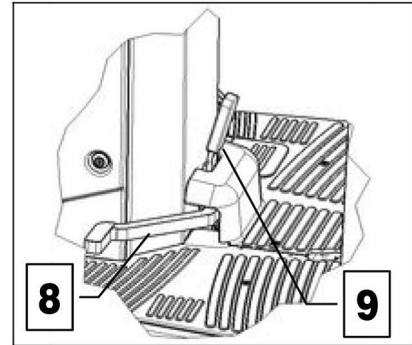


MACHINE PREPARATION

7. LEFT SIDE FOOTBOARD COMPONENTS

The components on the left side of the footboard are identified as follows:

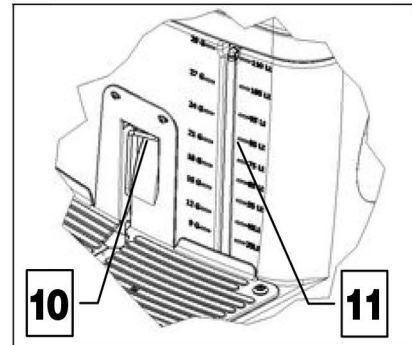
- 8. Brake Pedal
- 9. Parking Brake Lever



8. REAR FOOTBOARD COMPONENTS

The components at the rear of the footboard are identified as follows:

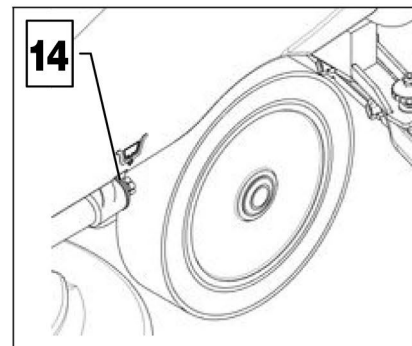
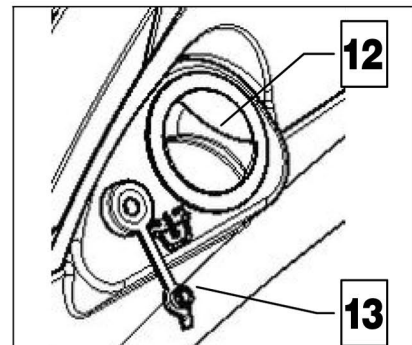
- 10. Lock-Down Head Pressure Lever
- 11. Solution Level Sight Gauge



9. SIDE MACHINE COMPONENTS

The side components of the machine are identified as follows:

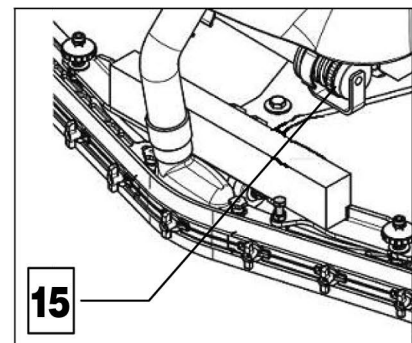
- 12. Primary Solution Filling Port
- 13. Solution Hose Filling Port
- 14. Solution Tank Discharge Hose



10. MACHINE REAR COMPONENTS

The rear components of the machine are identified as follows:

- 15. Recovery Tank Discharge Hose



MACHINE PREPARATION

11. BATTERY MAINTENANCE AND DISPOSAL

For maintenance and recharging, comply with the instructions recommended by the battery manufacturer. Particular attention must be paid when choosing the battery charger, if not supplied with the machine, since there are different kinds according to the type and capacity of the battery.

When the battery reaches the end of its working life, it must be disconnected by expert, trained personnel, then lifted to remove them from the battery compartment. Dead batteries are classified as dangerous waste and must be properly recycled.

12. BATTERY CONNECTION AND BATTERY CONNECTORS

- The machine is configured to operate with 4 – 6 volt batteries.
- The batteries are connected in series to achieve a total of 24 volts.
- Connect the Anderson plug from the batteries to the Anderson plug on the machine.
- Only use electric cables supplied by the manufacturer.

13. BATTERY CONNECTION AND BATTERY CONNECTORS

- Make sure the recovery tank is empty.
- Move the machine to the battery charger.
- Make sure that the key switch is in the OFF position.
- Engage the parking brake.
- Grip the handle under the seat to open the recovery tank.
Lift the recovery tank until it hooks to the end of the safety clamp.
- Disconnect the Anderson plug connection between the batteries and the machine.
- Connect the Anderson plug from the batteries to the Anderson plug on the charger.
- After recharging the batteries completely, the Anderson plug on the batteries must be connected to the Anderson plug on the machine.
- In order to prevent damage to the batteries, it is essential to avoid their complete discharge.
- Attempt to recharge batteries before the battery indicator begins flashing the red discharged light.
- Check that the battery charger is suitable for the batteries installed in terms of capacity and type.



You are advised to always wear protective gloves, to avoid the risk of serious injury to your hands.



You are advised to only lift and move the batteries with lifting and transportation means suitable for the specific weight and size.

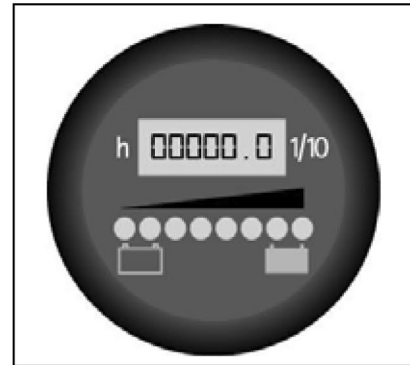
MACHINE PREPARATION

14. BATTERY DISCHARGE INDICATOR

- The battery discharge indicator uses LED's and has 8 positions, 7 yellow to represent charged batteries, and 1 red to represent batteries that are completely depleted.



A few seconds after the red indicator light comes on, the brush motor switches off automatically. With the remaining charge it is possible to complete the drying process before recharging



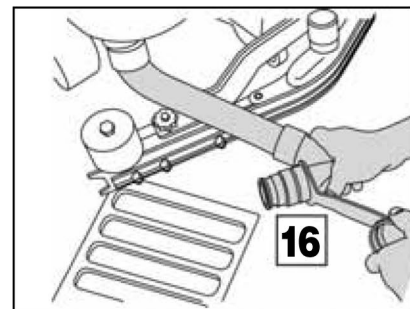
15. FORWARD AND REVERSE WORKING SPEED

- This machine is equipped with electronic traction control. During operation, the speed of travel is adjusted by how far the drive pedal is pushed down.
- The machine is programmed to drive slower in reverse than it does in forward. However, the speed of travel in reverse is also regulated by how far the drive pedal is pushed down.



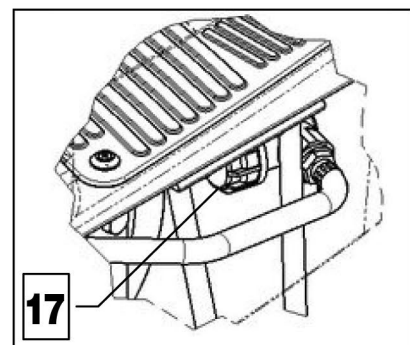
16. RECOVERY TANK

- The recovery tank must be completely emptied each time the solution tank is filled.
- Make sure the recovery tank is empty, if not, be sure to drain it completely. Check the cap of the drain tube to ensure that it is correctly closed.



17. SOLUTION TANK

- Remove the front inlet cap and check that the solution filter is correctly in place. Clean the filter screen if it is clogged with debris.
- Return the inlet cap to its proper location and ensure that it is properly tightened.

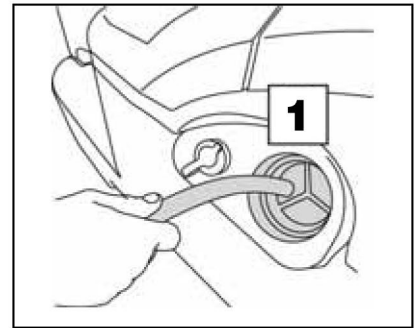


MACHINE PREPARATION

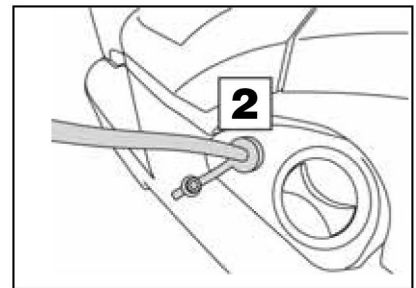
18. FILLING THE SOLUTION TANK

The solution tank can be filled in two different ways:

1. Unscrew the primary filling cap and fill using a hose.

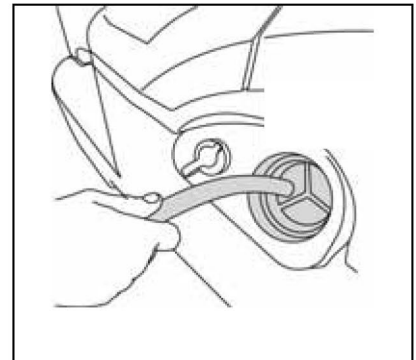


2. Use the secondary filling port that is equipped with a rubber cap to hold the hose in place during filling. This port is particularly useful when filling with a Betco FastDraw® chemical dispenser.



Fill with clean water at a temperature not exceeding 120° F. The amount of water present in the tank can be seen through the visual sight level gauge near the front left of the seat.

The solution tank has a maximum capacity of 29 gallons. Add Betco liquid detergent to the tank in the concentration and manner indicated on the label. The formation of excessive foam will damage the vacuum motor, so use only the minimum amount of detergent that is necessary.



WARNING: Always use detergents whose manufacturer's label indicates their suitability for scrubbing machines. Do not use acid or alkaline products or solvents without this indication.



ATTENTION: Protective gloves should always be worn before handling detergents or acidic or alkaline solutions to avoid serious injury to hands.

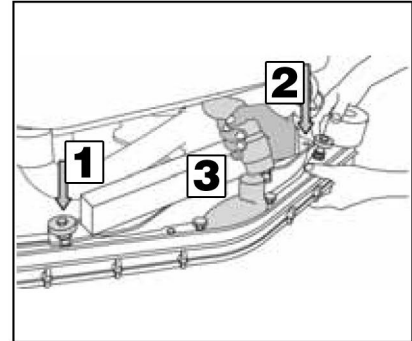


ATTENTION: always use low foam detergent. To avoid the production of foam, before starting to clean, put a minimum quantity of antifoam liquid into the recovery tank. Do not use pure acids.

MACHINE PREPARATION

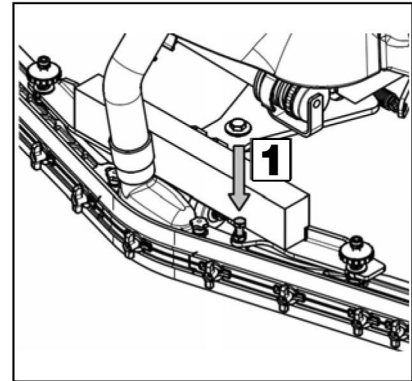
19. ASSEMBLING THE SQUEEGEE

- For packaging reasons, the squeegee is supplied disassembled from the machine and must be installed prior to use.
- Make sure the parking brake is engaged and that the key switch is turned to OFF.
- Insert the left pin (1) of the squeegee into the left slot of the mount and then insert the right pin (2) of the squeegee into the right slot of the mount. Be sure to keep the spring and washer on the top side of the squeegee mount. It may be necessary to loosen the finger wheels (1 and 2) in order to keep the spring and washer on top of the squeegee mount.
- Once the pins are in place, tighten the finger wheels (1 and 2) to lock the squeegee in place.
- Connect the vacuum hose to the squeegee shoe (3).



20. SQUEEGEE ANGLE

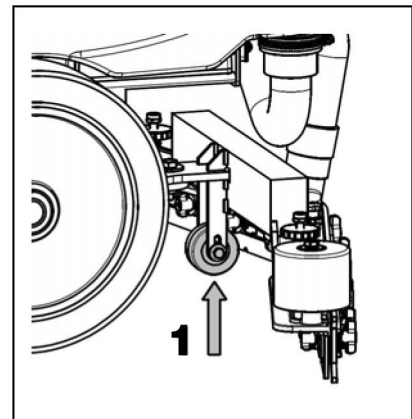
- During operation, the squeegee assembly should be tilted slightly backward in a uniform manner across the entire length.
- If it is necessary to increase the incline of the squeegee in the center portion, the adjuster screw (1) will need to be rotated clockwise to increase the incline of the squeegee assembly.



21. ADJUSTING THE SQUEEGEE HEIGHT

The height of the squeegee may need to be adjusted based on the wear of the squeegee blade.

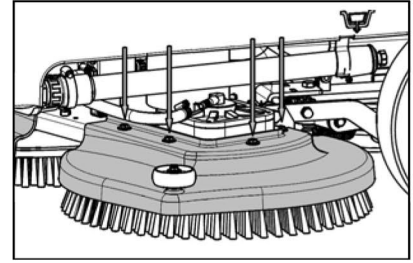
1. Unscrew the locking nut
2. Raise or lower the wheel (1) by sliding it in the slot of the support
3. Secure the wheel height by tightening the lock nut with the wheel at the required height.



MACHINE PREPARATION

22. BRUSH COVER ASSEMBLY

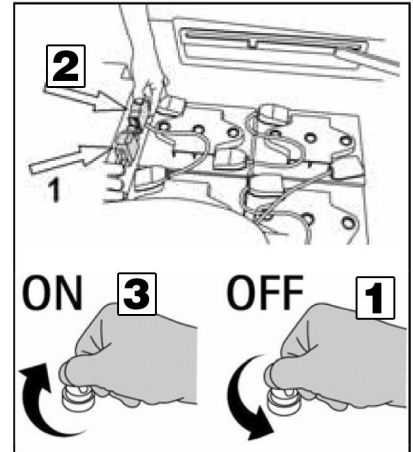
The brush cover assemblies will need to be installed prior to using the machine. Make sure the parking brake is engaged and the key switch is turned to OFF. Remove the 8 bolts from the brush deck, there are 4 on each side. Position the brush cover over the deck on the left and right sides of the machine and secure them with the 8 bolts that were previously removed.



23. PAD DRIVER/BRUSH INSTALLATION

1. Make sure the parking brake is engaged and the key switch is turned to OFF
2. Connect the battery pack to the machine
3. Turn the key to the ON position and the brush deck will automatically raise to the up position.
4. Turn the key to the OFF position and remove it from the control panel
5. With the base in the up position, insert the brushes into the plate housing beneath the base, turning them until the three lugs enter the holes in the brush drive plate.
6. Once the lugs are positioned, turn the brush until the lug is locked into place by the coupling spring. The image to the right shows the rotation direction to lock in the right side brush. The rotation is opposite for the left side brush.

If using brushes on this machine, it is advised to rotate the left and right side brushes every day. However, if the brushes have not been rotated for a lengthy period of time and have deformed bristles, it is advised to reassemble them in the same position to prevent an overload on the brush motor as well as excessive vibration.



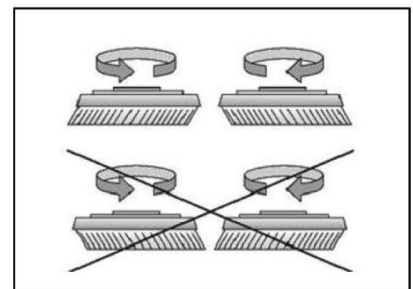
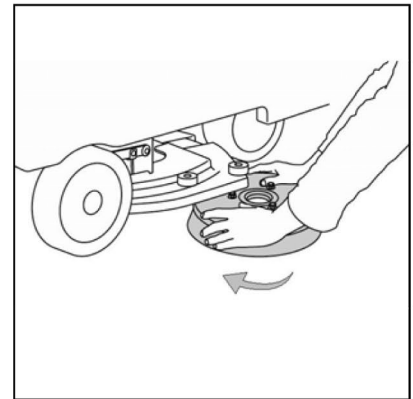
24. LOCKING HEAD PRESSURE

The pressure on the brushes can be increased by locking the pedal into place under the seat. Press the pedal downward and to the left to double the amount of scrubbing head pressure. To release the pressure and return to the original scrubbing mode, press the pedal down and to the right.



WARNING: The pedal must be released and unlocked before lifting the base into transport mode.

The pressure must be chosen according to the type of floor and amount of dirt and soil to be removed. Increasing the pressure will cause greater wear on the brushes or pads and will reduce the runtime of the machine.



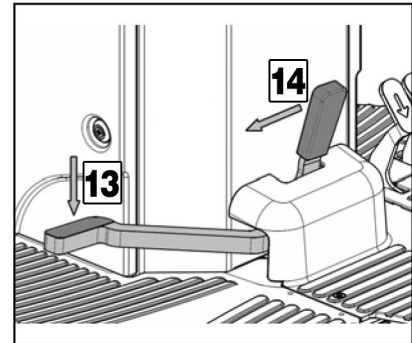
MACHINE PREPARATION

25. SERVICING THE MACHINE

If problems occur during operation, turn the key switch to OFF, engage the parking brake by moving the lever to the left, and disconnect the battery connection to the machine. This will disable all moving parts on the unit. To resume work once the problem has been resolved, reconnect the battery connection to the machine, turn the key switch to ON, and release the parking brake lever. The machine will not start unless the operator is properly seated.

26. OPERATING BRAKE AND PARKING BRAKE

- The machine has an electronic braking system. To brake in normal conditions, simply remove your foot from the accelerator pedal and the machine will stop.
- In extreme cases, it may be necessary to activate the manual brake pedal (**13**) by pushing it downward. Be sure to release your foot from the accelerator pedal when pushing the manual brake.
- To engage the parking brake, press down the manual brake pedal (**13**) and lock it using the lever (**14**) behind the steering column. To lock the manual brake, pull the lever to the left until it locks into place.



27. SAFETY STROBE LIGHT (OPTIONAL)

The machine can be equipped with a flashing light that turns on automatically when the main key switch is turned to the ON position.



MACHINE OPERATION

28. PREPARING TO WORK

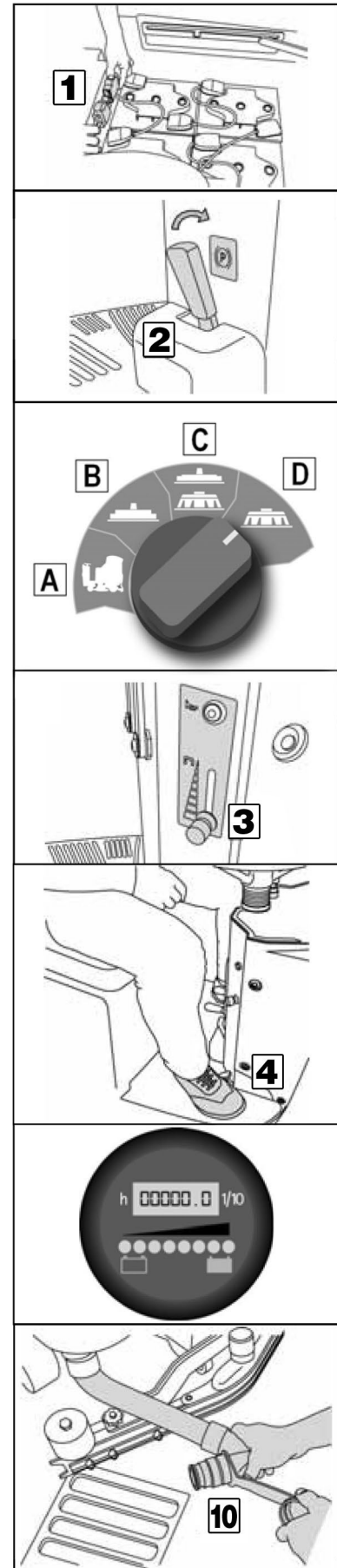
1. Make sure the recovery tank is completely drained.
2. Check that the key switch is in the OFF position.
3. Connect the batteries to the machine (1).
4. Sit on the driver seat.
5. Release the parking brake by moving the lever to the right (2).
6. Turn the key switch clockwise to the ON position. The battery discharge indicator and hour meter will immediately turn on to indicate the charge level of the batteries.
7. Choose the desired operating program with the I-Drive device:
 - A. Transport Mode – Movement of the machine without scrubbing or drying.
 - B. Drying Mode – Movement of the machine with use of only the squeegee system.
 - C. Scrubbing & Drying Mode – Movement of the machine with both the brushes and squeegee system working.
 - D. Scrubbing Mode – Movement of the machine with only the scrub brush system working.
8. Move the solution control lever (3) downward to the desired solution flow.
9. Select the desired direction of travel with the forward/neutral/reverse switch on the control panel.
10. Press the accelerator pedal (4) to start driving the machine. The squeegee and brush assemblies will automatically engage based on the program selected with the I-Drive control.
11. The brush and squeegee assemblies will raise and discontinue working when the machine is selected to travel in reverse.

During the first 20 feet of travel, check that there is sufficient solution and that the squeegee is drying the floor. The machine will continue to scrub and dry until it runs out of solution or the batteries are completely discharged.

A flashing red warning light appears on the battery discharge indicator when the battery level is getting too low. The brush motor will automatically turn off when this happens and the batteries must be recharged as soon as possible. During this time, a residual battery charge will remain that allows the machine to travel to the nearest charging station.

29. OVERFLOW DEVICE

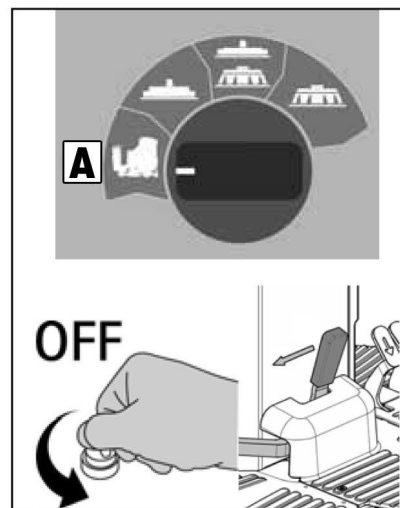
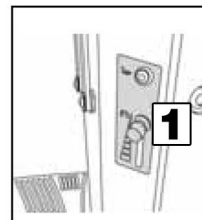
The machine is not equipped with an overflow device because the capacity of the recovery tank is greater than the capacity of the solution tank. In extreme cases, there is a mechanical float device on the lid that will shut off air to the vacuum motor when the solution level is too high. When this occurs, the sound of the suction motor becomes deeper and the vacuum will no longer adequately dry the floor. If this happens, turn the I-Drive selector to the Transport Mode and proceed to the nearest drain station. The recovery tank should be completely drained at this time using the drain hose (10).



AT THE END OF WORK

Once completed with work, and before carrying out any type of maintenance, perform the following operations:

1. Close the solution control valve (1) by moving it upward
2. Turn the I-Drive selector to Transport Mode (A), both the squeegee and brush base will rise and after a short time the vacuum motor will turn off.
3. Drive the machine to the appropriate location for draining water.
4. Turn the key switch to OFF and remove the key from the control panel.
5. Engage the parking brake.

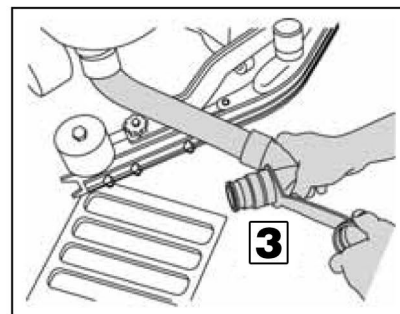


WARNING: Before performing any maintenance, remove keys from the control panel and disconnect the batteries from the machine.

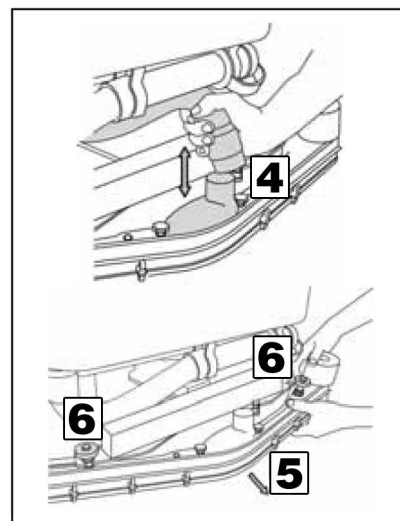
6. Disconnect the drain hose from the clamps and fold over the tube (3) to prevent splashing when the cap is removed. Remove the cap and slowly release tension on the folded area to completely drain the solution tank.



WARNING: Always wear gloves when doing this operation to protect yourself from contact with hazardous chemicals.



7. Remove the vacuum hose (4) from the squeegee shoe
8. Remove the squeegee assembly (5) from the support arm by unscrewing the finger wheels (6).
9. Clean the squeegee blades and squeegee shoe with clean water.
10. Re-install the squeegee assembly on the support arm, first insert the left pin into the slot and then the right. Be sure to keep the tension spring and washer on top of the support arm. Tighten the finger wheels to hold the squeegee assembly in place.
11. Attach the vacuum hose (4) to the squeegee shoe
12. Insert the key to the main ignition switch and turn the machine ON
13. Disengage the parking brake
14. Drive the machine to a storage area where it cannot cause damage to people or property.
15. Engage the parking brake, turn the key switch to OFF, remove the key from the ignition.
16. Lift the recovery tank and disconnect the batteries.



ATTENTION: Do not leave the machine unattended without first removing the key from the ignition and applying the parking brake. In addition, do not park the machine on floor with an incline, always park on a flat surface.

DAILY MAINTENANCE

30. CLEAN THE RECOVERY TANK

1. Disconnect the drain hose from the clamps and fold over the tube (1) to prevent splashing when the cap is removed. Remove the cap and slowly release tension on the folded area to completely drain the solution tank.

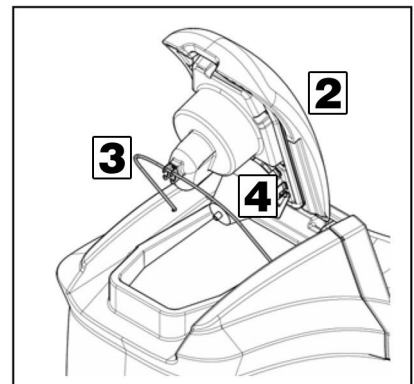
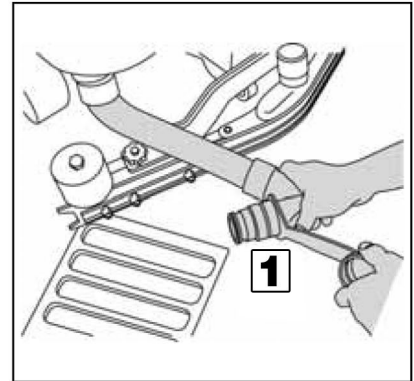


WARNING: Always wear gloves when doing this operation to protect yourself from contact with hazardous chemicals.



WARNING: Before performing any maintenance, remove the keys from the control panel and disconnect the battery connection to the machine.

2. Open the recovery tank lid (2) and insert the support prop into the hook (3) on the underside of the lid.
3. Clean and rinse the recovery tank and the vacuum hose leading to the squeegee assembly.
4. Close the cap on the drain hose and return it to the holding clamps.
5. Close the recovery tank lid by lifting it slightly to disengage the support prop (3) and lowering it until it is closed.



31. CLEAN THE VACUUM MOTOR FILTER

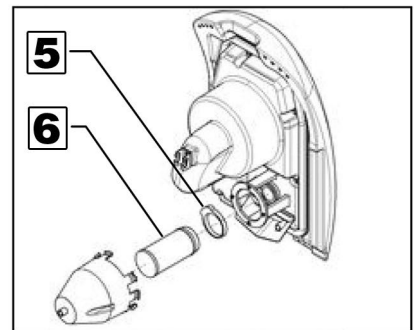
1. Open the recovery tank lid (2) and insert the support prop into the hook (3) on the underside of the lid.
2. Remove the vacuum filter housing (4) by rotating it clockwise
3. Release the retaining clip (5) on the filter
4. Remove the suction filter (6)
5. Use clean water to wash dirt and debris from the walls and base of the filter
6. Reassemble all of the items.



WARNING: Always wear gloves when doing this operation to protect yourself from contact with hazardous chemicals.



WARNING: Before performing any maintenance, remove the keys from the control panel and disconnect the battery connection to the machine.



DAILY MAINTENANCE

32. CLEAN THE SQUEEGEE

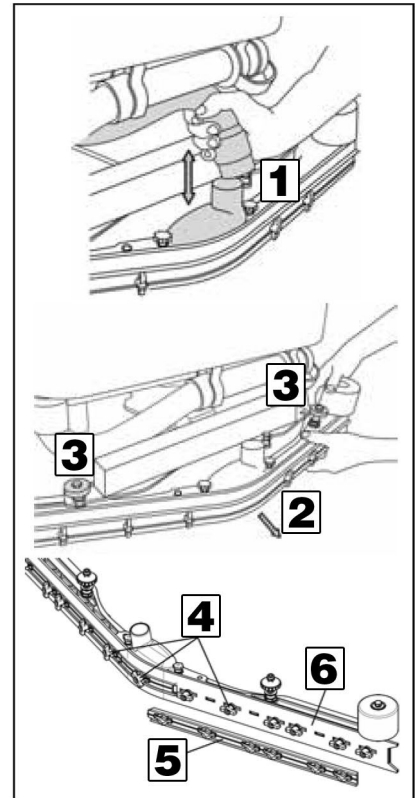
1. Remove the vacuum hose (1) from the squeegee shoe.
2. Remove the squeegee assembly (2) from the support arm by unscrewing the finger wheels (3).
3. Thoroughly rinse the squeegee blades, squeegee body, and squeegee shoe.
4. Check the wear of the squeegee blades. If the edge of the rubber is worn off, the blade can be turned to use all four wiping edges. The squeegee blade will need to be completely replaced if all four edges are worn. To remove the squeegee blade, turn all of the wing nuts (4) to a horizontal position. Remove the retaining plates (5) and then remove the squeegee blade.
5. Proceed in reverse order to replace the squeegee blade.
6. Re-install the squeegee assembly on the support arm, first insert the left pin into the slot and then the right. (3) Be sure to keep the tension spring and washer on top of the support arm. Tighten the finger wheels to hold the squeegee assembly in place.
7. Attach the vacuum hose (1) to the squeegee shoe.



WARNING: Always wear gloves when doing this operation to protect yourself from contact with hazardous chemicals.



WARNING: Before performing any maintenance, remove the keys from the control panel and disconnect the battery connection to the machine.



33. CLEAN THE FILTER AND SOLUTION TANK

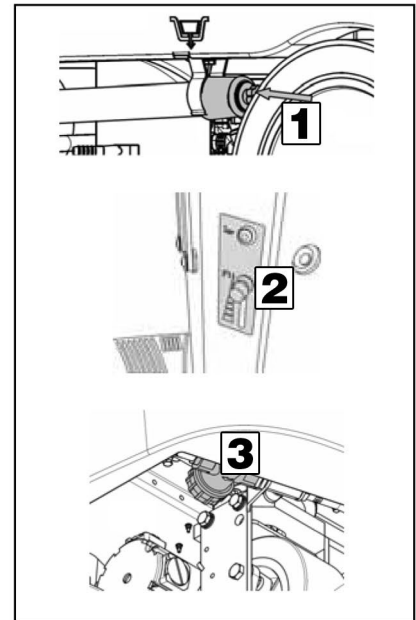
1. Disconnect the solution drain hose (1) from its clamp on the left side of the machine, unscrew the cap and empty the tank.
2. Remove the cap to the solution filling port
3. Rinse the inside of the tank with clean water
4. Close the solution drain hose and return it to the storage clamp
5. Completely close the solution control valve (2)
6. Unscrew the filter (3) at the front of the machine
7. Remove the internal filter cartridge and rinse it thoroughly with clean water
8. Reassemble the filter housing.



WARNING: Always wear gloves when doing this operation to protect yourself from contact with hazardous chemicals.



WARNING: Before performing any maintenance, remove the keys from the control panel and disconnect the battery connection to the machine.



DAILY MAINTENANCE

34. PAD DRIVER/BRUSH REMOVAL

1. Turn the key switch to the ON position
2. Turn the I-Drive selector to the Transport Mode position (**A**) to lift the brush deck from the floor if it is not already up.
3. Turn the key switch to the OFF position and remove the key from the control panel.
4. Reach under the brush deck and rotate the brush counter-clockwise until it unseats from the brush drive plate. The image to the right shows the rotation direction to unlock the right side brush. The rotation is opposite for the left side brush.

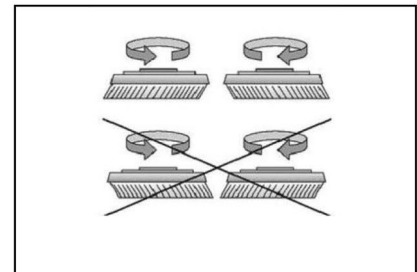
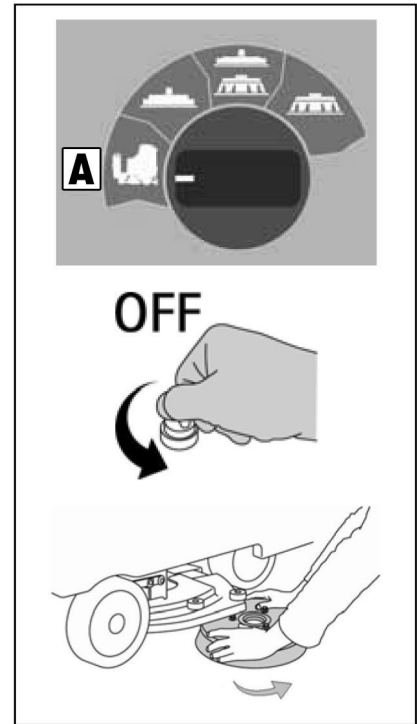


WARNING: Always wear gloves when doing this operation to protect yourself from contact with hazardous chemicals.



WARNING: Before performing any maintenance, remove the keys from the control panel and disconnect the battery connection to the machine.

If using brushes on this machine, it is advised to rotate the left and right side brushes every day. However, if the brushes have not been rotated for a lengthy period of time and have deformed bristles, it is advised to reassemble them in the same position to prevent an overload on the brush motor as well as excessive vibration.



WEEKLY MAINTENANCE

35. CLEAN THE VACUUM HOSE

If the suction of the squeegee is not adequate, check the vacuum hose for obstructions. If necessary, clean the hose with a jet of water as described below:

1. Turn the key switch to the ON position.
2. Turn the I-Drive selector to the Transport Mode position (**A**) to lift the brush deck from the floor if it is not already up.
3. Turn the key switch to the OFF position and remove the key from the control panel.

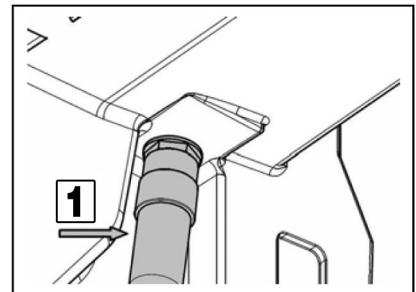
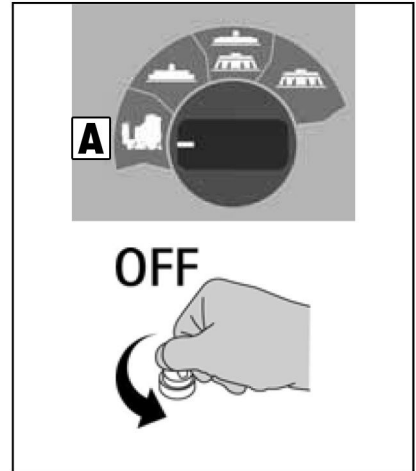


WARNING: Always wear gloves when doing this operation to protect yourself from contact with hazardous chemicals.



WARNING: Before performing any maintenance, remove the keys from the control panel and disconnect the battery connection to the machine.

4. Remove the vacuum hose from the squeegee shoe.
5. Make sure the recovery tank is empty, if not, drain the tank completely.
6. Grip the handle under the operator seat and open the recovery tank.
7. Lift the recovery tank until it hooks at the end of the safety latch.
8. Detach the vacuum hose from the port on the recovery tank (**1**).
9. Clean the inside of the hose with a powerful jet of water to remove any loose debris.
10. Reassemble the hose to the recovery tank and squeegee assembly.

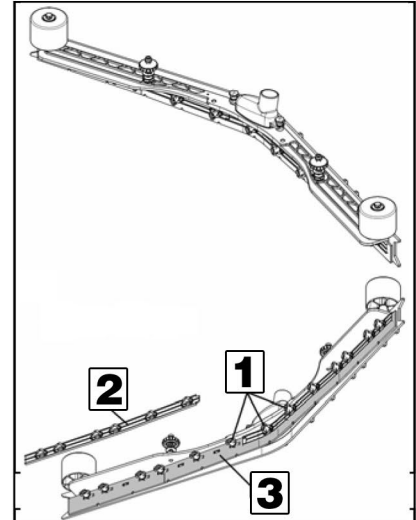


IRREGULAR MAINTENANCE

36. REPLACING THE FRONT SQUEEGEE BLADE

Suction will be poor and the machine will not dry well if the front squeegee rubber is worn. Proceed to replace as follows:

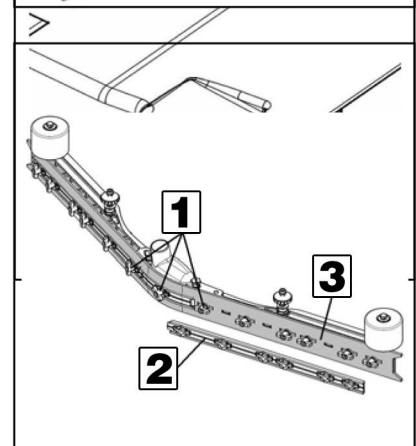
1. Turn the key switch to the OFF position and remove the key from the control panel.
2. Remove the squeegee from the support arm by unscrewing the finger wheels.
3. Turn all of the wing nuts (1) to a horizontal position.
4. Remove the front side squeegee retaining plates (2).
5. Remove the front squeegee blade (3).
6. Proceed in reverse order to replace the blade.



37. REPLACING THE REAR SQUEEGEE BLADE

If the rear squeegee rubber is worn and does not dry the floor well, it is possible to change the wiping edge of the blade by rotating and/or flipping the blade to the other side. All 4 wiping edges of the blade can be used. The rear squeegee can be rotated or replaced as follows:

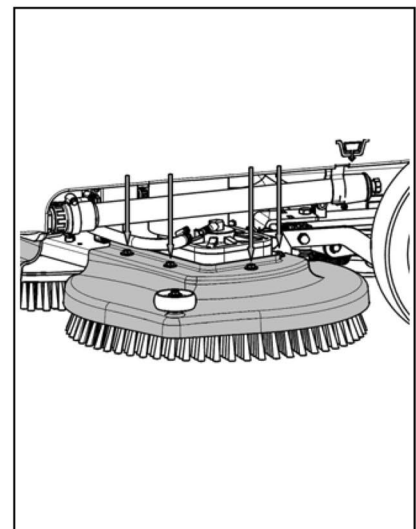
1. Turn the key switch to the OFF position and remove the key from the control panel.
2. Remove the squeegee from the support arm by unscrewing the finger wheels.
3. Turn all of the wing nuts (1) to a horizontal position.
4. Remove the rear side squeegee retaining plates (2).
5. Remove the rear squeegee blade (3).
6. Proceed in reverse order to replace the blade.
7. If replacing the squeegee blade, it may be necessary to adjust the height of the squeegee assembly, see section titled “Adjusting the Squeegee Height”.



38. BRUSH DECK COVER REPLACEMENT

Periodically check the condition of the brush deck covers for wear or damage. The covers can be replaced as follows:

1. Turn the key switch to the OFF position and remove it from the control panel.
2. Remove the 8 bolts that hold the brush cover to the brush base (4 on the left side and 4 on the right side).
3. Remove the brush covers and replace with new covers.
4. Reinstall the 8 bolts that were previously removed from the brush covers.



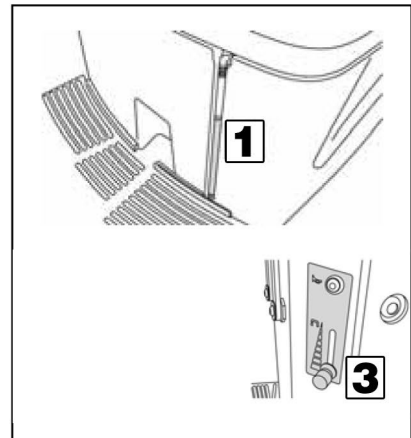
WARNING: Always wear gloves when doing this operation to protect yourself from contact with hazardous chemicals.

WARNING: Before performing any maintenance, remove the keys from the control panel and disconnect the battery connection to the machine.

TROUBLESHOOTING GUIDE

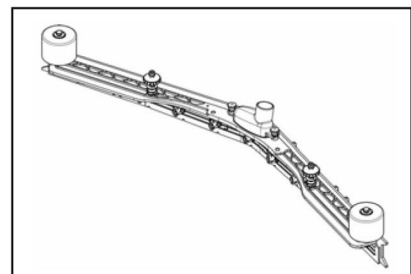
39. INSUFFICIENT SOLUTION FLOW

1. Check that there is water in the solution tank (1).
2. Check that the solution flow control valve (3) is pushed all the way down.
3. Clean the solution filter located at the front of the machine.



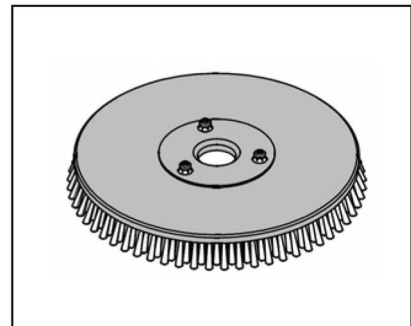
40. THE SQUEEGEE IS NOT DRYING THE FLOOR ADEQUATELY

1. Check that the squeegee assembly is clean.
2. Check the height and angle of the squeegee assembly (**See Machine Preparation**).
3. Clean the entire suction unit (**See Weekly Maintenance**).
4. Replace the squeegee blades if worn.



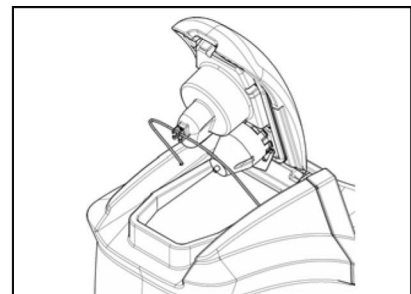
41. THE MACHINE DOES NOT CLEAN WELL

1. Check the condition of brushes or floor pads being used. If necessary, replace them.
2. For difficult soil removal, a more aggressive alternative pad or brush may be required. Aggressive pads and brushes are recommended according to the required soil removal. See the section titled “Choosing and Using Brushes” to determine the appropriate brush for your application.



42. EXCESSIVE FOAM

1. Verify that low foam detergent is being used
2. Verify that the detergent is being diluted at the proper ratio
3. If necessary, add a small quantity of de-foaming liquid to the recovery tank.
4. When the floor is not very dirty, more foam will be generated. In this case, the detergent may need to be diluted to a lower concentration.



43. INSUFFICIENT SUCTION FROM THE VACUUM MOTOR

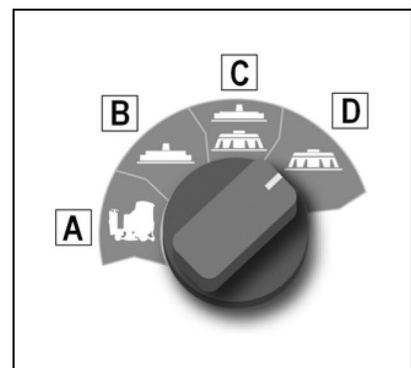
1. Check to see that the recovery tank is not full, empty it if necessary
2. Check the float in the suction cap (**Review “Cleaning the Recovery Tank” in the “Daily Maintenance” section**).

44. THE BRUSH MOTOR DOES NOT WORK



ATTENTION: To avoid damaging the machine, the brush motor will only start up when the machine is moving forward.

1. Check that the I-Drive selector is on position “C” or “D”.
2. The operator must be properly seated in the driving position.
3. The forward/neutral/reverse switch must be set to “Forward”.
4. Check that the brush deck lowers during operation.
5. Check that no thermal protection device has intervened.
6. Check the connections of the motor to the terminal under the footboards.



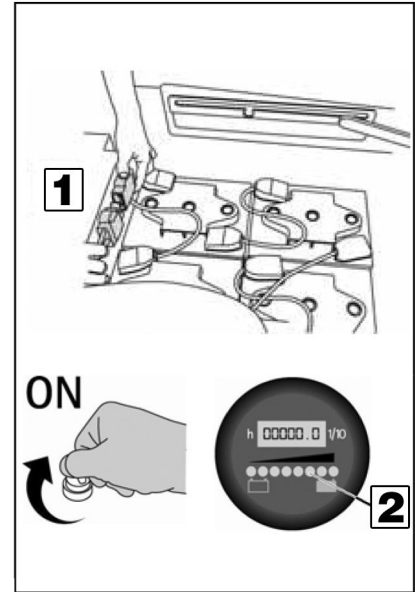
TROUBLESHOOTING GUIDE

45. THE MACHINE DOES NOT START

1. Check to ensure the batteries are connected to the machine (1).
2. Check that the key switch is turned on.
3. Check that the batteries are charged (2).

46. ELECTRICAL FUSES AND THERMAL CUT-OFF

In addition to standard 80 amp fuses, the machine is also fitted with self-restoring thermal safety fuses located on the electrical boards. These will interrupt the power supply to the brush drive motors and vacuum motor when the amp draw exceeds a pre-determined limit. To restore power to the motors, switch off the machine and wait about 1 minute for the thermal fuses to cool down. Contact a certified repair center if the thermal switches disconnect again.



CHOOSING AND USING THE BRUSHES

POLYPROPYLENE BRUSH

Used on all types of floors. Good resistance to wear and hot temperatures (no greater than 140° F). The polypropylene brush is non-hygroscopic and therefore retains its characteristics in wet working conditions.

NYLON BRUSH

Used on all types of floors. Excellent resistance to wear and hot temperatures (no greater than 140° F). The nylon brush is hygroscopic and tends to lose its characteristics over time when working in wet conditions.

ABRASIVE BRUSH

The bristles of this type of brush contain highly aggressive abrasives. It is used to clean very dirty floors. To avoid floor damage, work only with the brush pressure that is necessary.

THICKNESS OF THE BRISTLES

Thicker bristles are more rigid and are therefore used on smooth floors or floors with very shallow joints. On uneven floors, or those with deep joints, it is advised to use softer bristles which can flex to enter the joints more easily. Remember that when the bristles are worn and too short, they will become more rigid and will no longer penetrate into the deep joints.

PAD DRIVER

The pad holder is recommended for cleaning shiny surfaces. There are two types of pad holder:

1. The traditional pad holder is fitted with a series of pad gripping points that hold the pad in place and drag the pad along as it works.
2. The center-lock pad holder not only has the gripping points, but also has a center locking device that hold the pad in place and prevent it from becoming detached during use. The center lock style pad holder is recommended for all machines that use more than one pad.

Stealth™ DRS Series Brush Options

Item Number	Description
E81668-00	Pad Driver, 13"
E81681-00	Brush, General Purpose 13" 0.3mm
E82850-00	Brush, Medium Duty 13" 0.3mm
E82851-00	Brush, Heavy Duty 13" 0.9mm
E82852-00	Brush, Tynex 13" 1.0mm
E22091-00	Pad Driver, 16"
E22093-00	Brush, General Purpose 16" 0.3mm
E89557-00	Brush, Medium Duty 16" 0.3mm
E22092-00	Brush, Heavy Duty 16" 0.9mm
E22094-00	Brush, Tynex 16" 1.0mm

Stealth™ DRS Series Common Parts

Item Number	Description
EP50200	Strobe Light Installed on Machine
E88951-00	Squeegee Blade Kit, 36.5"
E22261-00	Squeegee Blade Kit Poly, 36.5"
E22262-00	Squeegee Blade Kit Latex, 36.5"
E22095-00	Brush Skirt, 26" Complete Set
E88953-00	Squeegee Blade Kit, 42.75"
E22264-00	Squeegee Blade Kit Poly, 42.75"
E22265-00	Squeegee Blade Kit Latex, 42.75"
E89550-00	Brush Skirt, 32" Complete Set

BETCO US WARRANTY POLICY

10 year coverage

Subject to the conditions stated below, Betco warrants parts and labor on rotationally molded polyethylene tanks/ housings and injection molded vacuum head assemblies to be free from defects in materials and workmanship for a period of ten years to the original purchaser.

3 Year Coverage

Subject to the conditions stated below, Betco warrants parts and labor on all other Betco components to be free from defects in materials and workmanship for a period of three years to the original purchaser.

1 Year Coverage

Subject to the conditions stated below, Betco offers a limited warranty on parts and labor on the following equipment: parts and accessories to be free from defects in materials and workmanship for a period of one year to the original purchaser.

- PowerUp™ 14 Upright Vacuum: #E29990-00
- Bac Pac Lite Vacuum: #85903-00
- FiberPRO® Floor Dryer: #85507-00
- WORKMAN™ Series Vacuums: #85024-00, #85025-00, #83012-00, #85027-00
- All Tools and Accessories
- All Battery Chargers
- All Batteries are pro-rated for 1 year

Allowable Travel Time Warranty Reimbursement:

Eligible equipment: All battery and propane powered equipment products. Warranty period: 90 days from date of sale to the original purchaser. A maximum 180 mile round trip at 50 cents per mile will be allowed for warranty consideration.

Propane Machine Warranty:

Kawasaki engines are warranted by Kawasaki for a period of 2 years against manufacturer defects. All other components (except wear items)* are warranted by Betco for a period of 3 years.

***Wear Items exempt from Warranty consideration include but may not be limited to: power cords, transport wheels, vacuum bags, belts, squeegee blades, pad drivers, clutch plates, handle grips, filters, screens, throttle cables, brushes and carbon brushes.**

Subject to the conditions and exceptions stated in this warranty, Betco warrants the Betco products to be free from defects in material and workmanship, under normal use and service, for the periods listed under the warranty policy to the original purchaser. At any time during the warranty period, Betco will furnish replacement parts for the Betco parts to the original purchaser. Such parts will be furnished and charged including transportation costs, to the original owner through any Betco authorized Service Distributor. If the original part is returned within the warranty policy period from date of delivery for inspection by Betco and is found to be defective the owner will be credited for the cost of replacement parts plus shipping and handling. Replacement parts that have become defective through wear or abuse are not included in this warranty.

This warranty does not apply to damage or defect caused by accident, misuse, negligence, fire, or to any Betco product which has been serviced or repaired by other than an authorized Betco Service Distributor or Betco factory personnel. This warranty is void if products are used for any purpose other than that which was intended. There are no other warranties expressed or implied. In no event shall Betco be liable for incidental or consequential damages or any damage to person or property. (Please note some states do not allow the exclusion or limitations for incidental and consequential damages).

