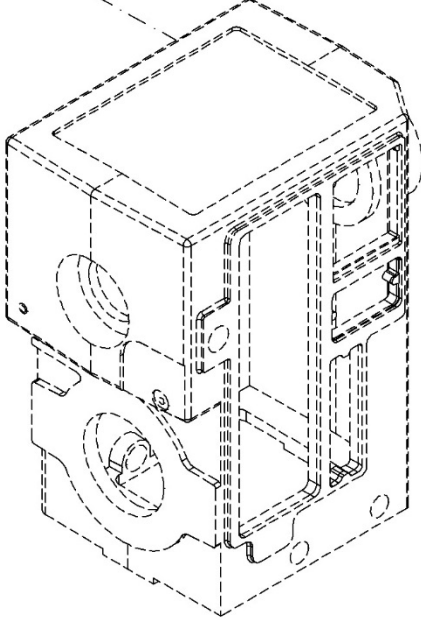
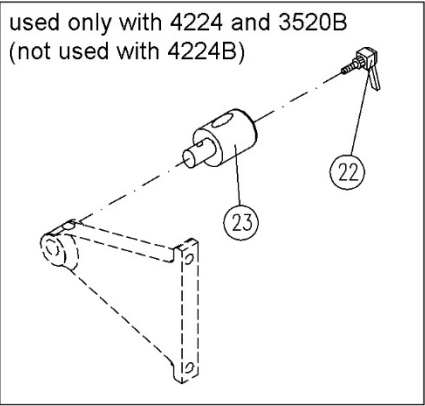
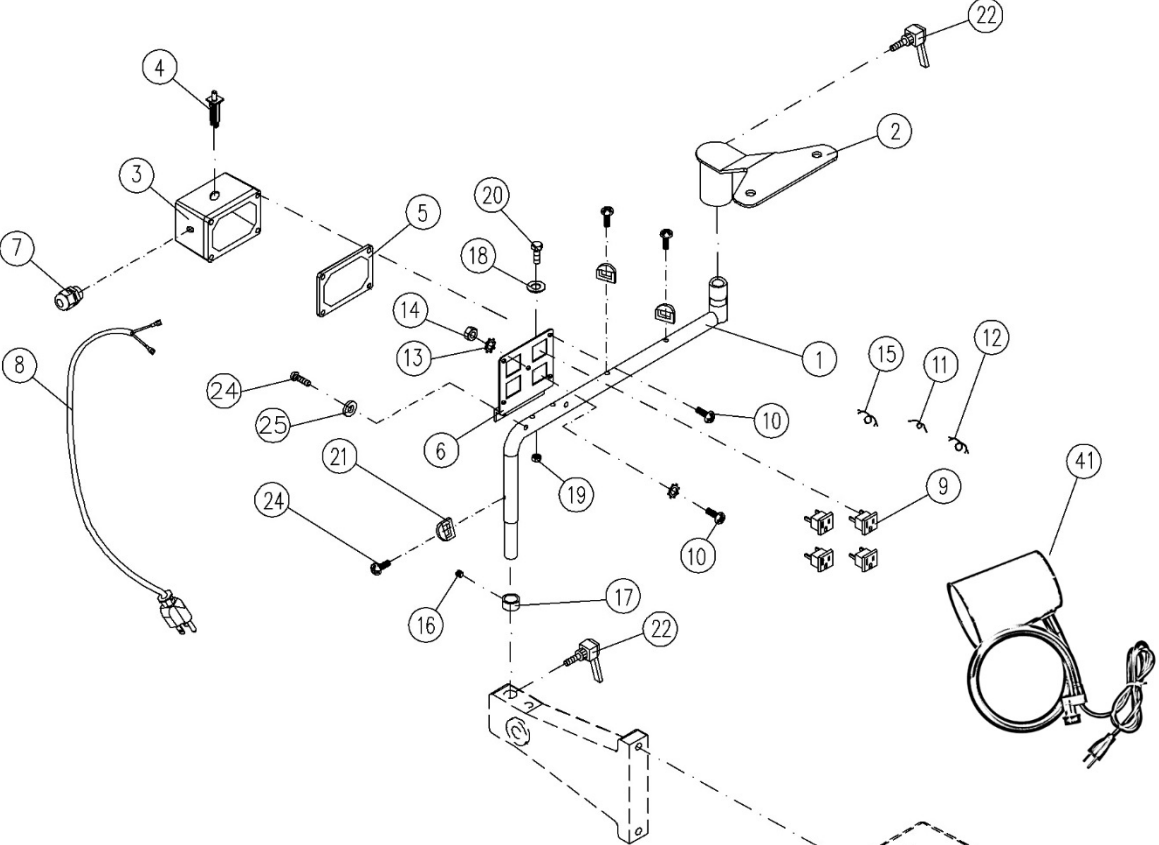


17.3.1 Lamp Holder Set – Exploded View



### 17.3.2 Lamp Holder Set – Parts List

Index No	Part No	Description	Size	Qty
	6294901	Lamp Holder Set <i>(includes #1 thru 25)</i>		1
1	4224B-301	Support Tube		1
2	4224B-302	Lamp Holder		1
3	4224B-303	Junction Box		1
4	4224B-304	Current Overload Switch	15A	1
5	4224B-305	Gasket		1
6	4224B-306	Receptacle Cover Plate		1
7	4224B-307	Strain Relief	PG11	1
8	4224B-308	Power Cord	AWG14	1
9	4224B-309	Socket with Cover		4
10	TS-1533062	Phillips Pan Head Machine Screw	M5 x 20	5
11	4224B-311	Jumper (Black)		4
12	4224B-312	Jumper (White)		3
13	TS-0733041	Star Washer	M5	2
14	TS-1540031	Hex Nut	M5	2
15	4224B-315	Ground Jumper (Green)		4
16	TS-0270011	Set Screw	5/16"-18 x 1/4"	1
17	6143004	Retaining Collar		1
18	TS-1550031	Flat washer	M5	4
19	TS-1541011	Nylon Hex Nut	M5	2
20	TS-1481081	Hex Bolt	M5 x 35	2
21	4224B-321	Cord Restraint		3
22	JML-59A	Lock Handle		2
23	4224B-323	Holder Shaft		1
24	TS-0253031	Socket Head Button Screw	#10-24 x 1/2"	5
25	TS-069204	Flat Washer	#10	2

### 17.3.3 Lamp Kit – Parts List

Index No.	Part No.	Description	Size	Qty.
	6294901K	Lamp Kit <i>(includes #40-44)</i>		1
40	6294901	Lamp Holder Set <i>(includes #1 thru 25)</i>		1
41	6294902	Lamp (bulb not included) <i>(includes #42-44)</i>	100W	2
42	*	Stud	M51	2
43	*	Lock Washer, Internal tooth	3/8"	2
44	*	Jam Nut	3/8"	2

NOTE: Powermatic lamps are supplied by Moffatt. For replacement parts indicated by an asterisk (\*), contact Moffatt directly at 800-346-0761.