



# Model 4M

## Ratchet Leverage Arbor Press

### Instruction and Parts list

#### MODEL 4M

<u>Item</u>	<u>Part Name</u>	<u>Part No.</u>	<u>Qty</u>
1	Frame	295	1
2	Ram Cap	296	1
3	Table	262	1
4	Table Plate Assembly	701227	1
5	Table Pawl	265	1
6	Table Pawl Handle	266	1
7	Table Clamp	267	1
8	Table Crank	270	1
9	Table Pinion	271	1
10	Leverweight	258	1
11	Ratchet Pawl	297	1
12	Ram (2" x 2" x 23")	253	1
13	Retaining Ring	67955	1
14	Handbrake	214	2
15	Handbrake Clamp	215	1
16	Mandrel Catcher	254	1
17	Table Washer	279	2
18	Compound Rest Pin	280	1
19	Table Spring	281	2
20	Table Stud	282	2
21	Handle	283	1
22	Ratchet Pawl Pin	255	1
23	Table Pawl Shaft	287	1
24	Hand Brake Stud	223	1
25	Spindle	256	1
26	Table Pinion Shaft	291	1
27	Handwheel	257	1
28	Spring	579	1

***Please contact factory for current prices.***

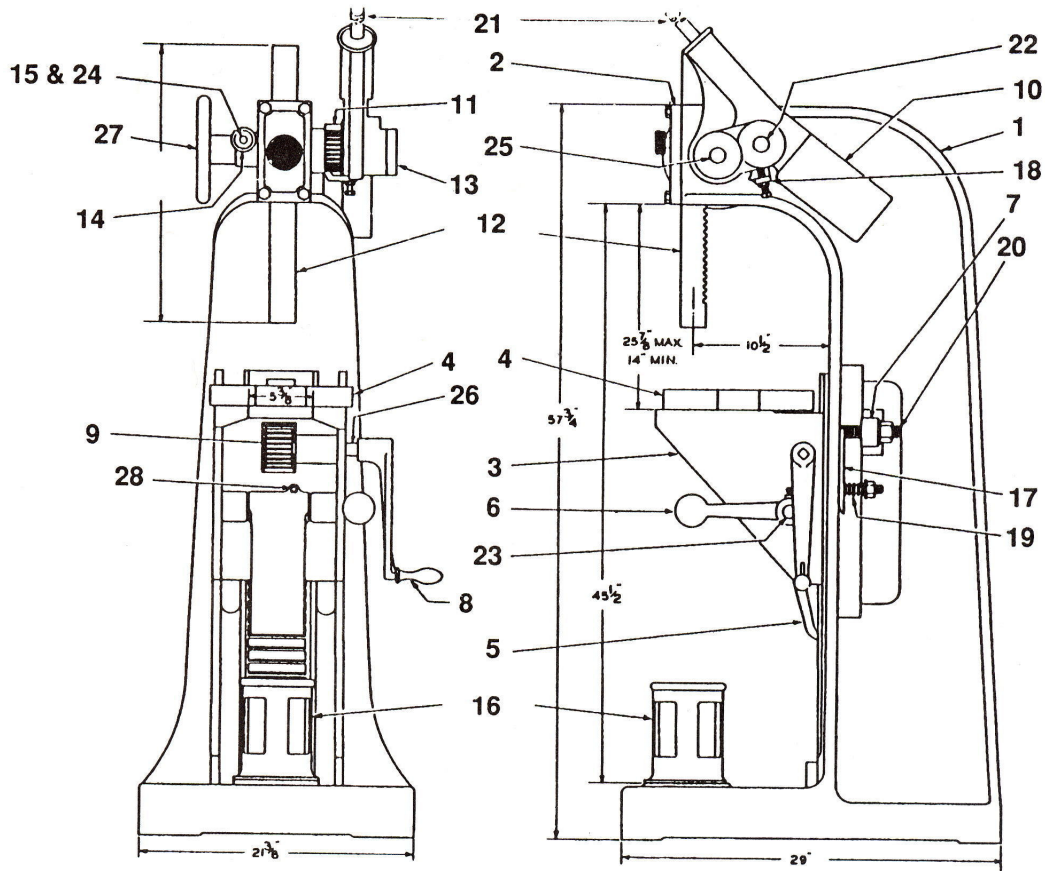
**Ordering information:** Please order all repair parts by part number and name, also mention model number of press. All parts are shipped F.O.B. Factory in Grand Haven, MI.

**Lubrication:** Keep all working parts of the press well oiled for easier operation. Also keep a light film of oil over the entire surface of the ram to prevent rust.

### DAKE

Division of JSJ Corp.  
724 Robbins Road  
Grand Haven, MI 49417

Phone: 616-842-7110 800-937-3253  
Fax: 616-842-0859 800-846-3253  
E-Mail: customerservice@dakecorp.com  
technicalservice@dakecorp.com  
Website: www.dakecorp.com



Warning Label:  
300168

⚠ WARNING		
Establish solid footing to prevent falls.	Keep hand away from point of operation. Read instructions.	Guard workpiece to prevent projectiles from reaching operator. Wear eye protection.

⚠ WARNING
Equipment must be securely anchored to prevent tipping.

Warning Label:  
79979



## SAFETY

**This is the safety alert symbol.** When you see this symbol on your press, be alert to the potential for personal injury.

### Follow recommended precautions and safe operating practices.

**Carefully read all safety messages in these instructions and on your press safety signs.** Keep safety labels in good condition. Replace missing or damaged safety labels.


**This machine is intended to be operated by one person.** This person should be conscious of the press ram movement not only for themselves but also for persons in the immediate area of the machine.

**Under no circumstances increase the leverage ratio of the press by using a longer handle or by placing a pipe over the handle.** Never hammer on top of the ram.

**NOTE:** Please refer to parts drawing for identification of components outlined on this safety warning sticker.

**Model: 4M**

**⚠ WARNING**



**Beware of pinch points, handle to frame and ram to table or work.**

**Beware handle can free fall if pawl and gear are not engaged.**

**Never pull handle beyond horizontal plane allowing disengagement of pawl and gear.**

**Always bring ram to work or table with handwheel while holding pressing handle up ensuring engagement of pawl and gear.**

Frame - Item 1 (Main Casting)  
Table Plate Assembly - Item 4

Ratchet Pawl - Item 11  
Gear - Item 25 (Spindle)  
Handle - Item 21 (Spindle)

Handle - Item 21  
Ratchet Pawl - Item 11  
Gear - Item 25 (Spindle)

Ram - Item 12  
Table Plate Assembly - Item 4  
Ratchet Pawl - Item 11  
Gear - Item 25 (Spindle)  
Hand wheel - Item 27



**Safety**

This is the safety alert symbol. When you see this symbol on your press, be alert to the potential for personal injury.