



# INSTRUCTIONS AND PARTS LIST FOR MODEL 25H HAND-OPERATED HYDRAULIC PRESS

## SETTING UP THE PRESS FOR OPERATION

For shipping convenience, the gauge, pump handle, hoist crank, screw nose and base angles were removed from the press. Assemble these parts to the press in the following order:

1. Bolt the base angles to the uprights using the four bolts and nuts furnished. Shoulder the base angles against the stops on the uprights.
2. Install the pressure gauge using a hydraulic sealant to ensure a sealed fit.
3. Insert pump handle into handle socket and fasten in place by means of the setscrew on top of the handle socket.
4. **CAUTION! Place the hoist crank on the lift drum shaft. The table is raised to the desired height by turning the crank after removing the table pins. Check to make sure the hoist cable is tracking correctly. Run the table channels from top to bottom. The cable should be on each of the two upper pulleys and should track back and forth on the cable drum. Always place table pins under the table channels before releasing the hoist crank when positioning the table channels for cable tracking, servicing, or set-up for desired work opening. If a tracking problem exists, contact the Dake factory for instructions. Be sure all table pins are fully inserted in place before applying pressure. Always remove or release pressure on the cable before pressure is applied.**
5. Fasten nosepiece to the end of the screw using the thumbscrew included.

## OPERATIONS AND CONTROLS

The operator should acquaint himself with the use of the following controls:

1. The pump handle is the pressure supply source and is manually operated with an up and down motion.
2. Item number 7 (part no.10631) is the release valve handwheel. Always keep it firmly closed when operating the press and it should only be opened when releasing the pressure to allow the ram to return.
3. By turning Item 33 (Part No. 716518), the ram screw can be adjusted into or out of the piston assembly. Always keep the portion of the screw extending out of the piston as short as possible. It is advisable to raise the table one or two sets of holes rather than running the screw out to its limit of travel. **NEVER EXCEED THE RECOMMENDED STROKE OF 5 INCHES FOR THIS PRESS. EXCEEDING THE STROKE WILL CAUSE DAMAGE TO THE INNER PACKINGS.**
4. The two combination table plates-v blocks provided are used for supporting the work while it is being straightened.

## FILLING THE PRESS WITH OIL

It is extremely important that new, clean, light hydraulic oil be used in this press, Mobil DTE 24 or an equivalent. It is strongly recommended that the oil be filtered to remove any possible dirt. The piston should be in its maximum upper position when filling the reservoir. Fill the reservoir with 2 ½ quarts of oil. **UNDER NO CIRCUMSTANCES USE OLD DIRTY OIL.** Next remove the screw plug from the top of the cylinder and fill with oil. Close the release valve handwheel and pump oil into the workhead until oil is visible in the top of the cylinder. This will remove all air from the chamber above the piston. Then install the gauge. If oil leaks by the piston. The reservoir should be drained and refilled (2 ½ quarts of oil) with the piston in the top position.

## ORDERING INFORMATION

Please order all parts by number and name. Also mention model number and serial number as shown on the plate attached to the frame of the press. Prices for parts do not include shipping charges.

## LUBRICATION

Keep all working parts of the press well oiled for easier operation. Also keep a light film of oil over the entire surface of the ram to prevent rust.

## WARNING LABELS



To the left is the safety Alert symbol. When you see these safety alert symbols on your press, be alert to the potential for personal injury.

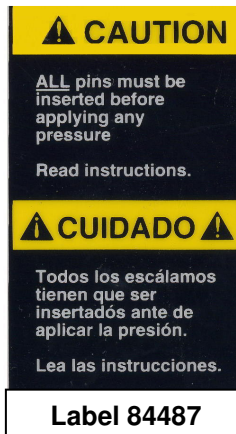
Follow recommended precautions and safe operating practices.

Carefully read all safety messages in these instructions and on your press safety signs. Keep safety labels in good condition. Replace missing or damaged

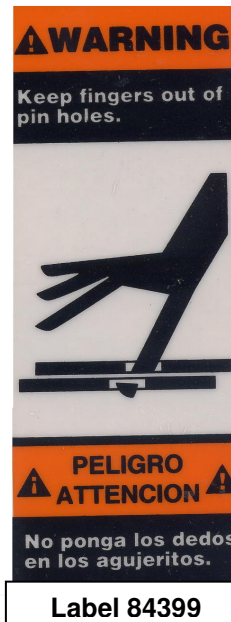
safety labels. **This machine is intended to be operated by one person.** This person should be conscious of the press ram movement not only for himself but also for persons in the immediate area of the machine.



Label 300168



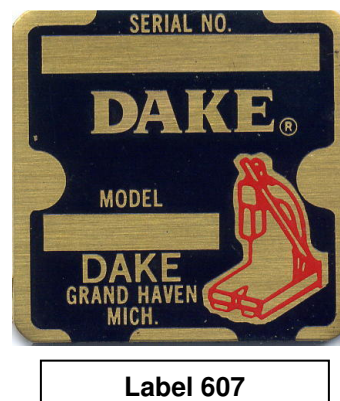
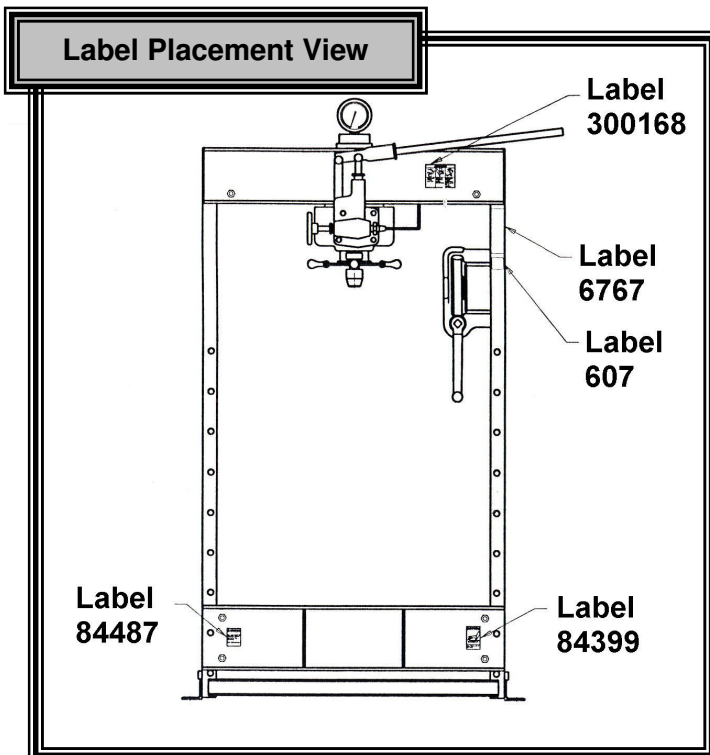
Label 84487



Label 84399



Label 6767



Label 607

# TROUBLE SHOOTING – DAKE HAND HYDRAULIC PRESSES

## PUMP PACKING LEAKAGE

If oil leaks past the pump packing, tighten the pump packing nut (551) until pump handle works hard, then slack off just enough to cause the handle to stay in position by itself. After long periods of operation, it may be necessary to install new pump packings.

## IF PRESS DOES NOT HOLD PRESSURE

This condition is nearly always caused by dirt under pressure ball valve part number (586). See workhead assembly drawing. To remedy this condition, first remove the reservoir drain plug and drain off all the oil in the reservoir. Next, remove parts, 3/8" pipe plug (588), check valve spring (579) and valve ball (586) then clean out port hole and valve seat thoroughly. Replace and using a small piece of brass rod as a drift, tap the brass rod lightly to seat the ball properly. Replace spring and plug using extreme care to prevent dirt from entering. Replace the drain plug and refill the reservoir with clean filtered oil.

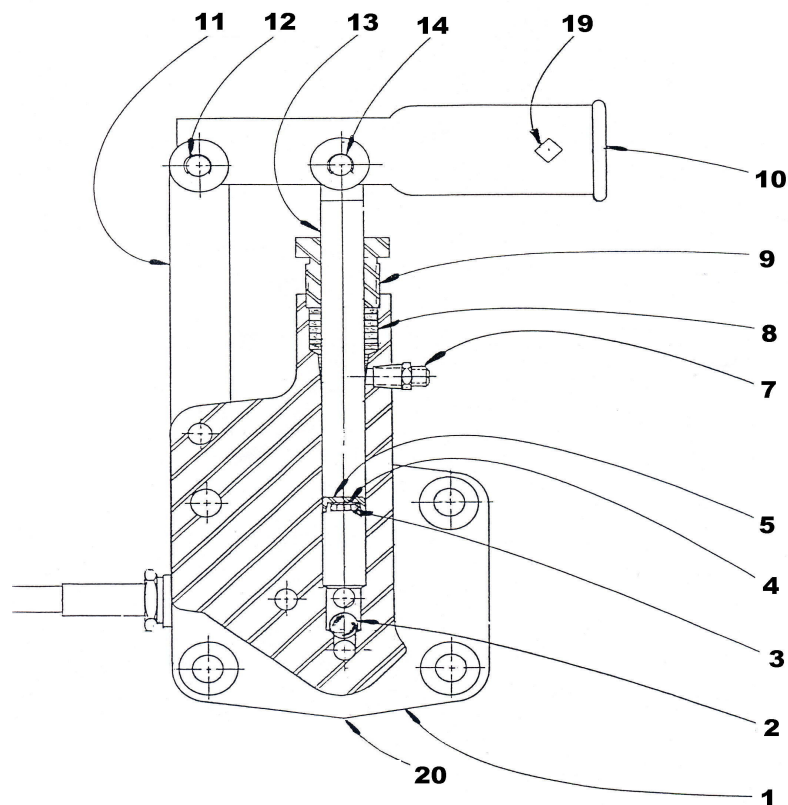
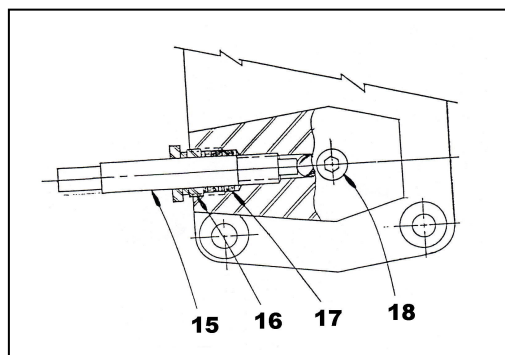
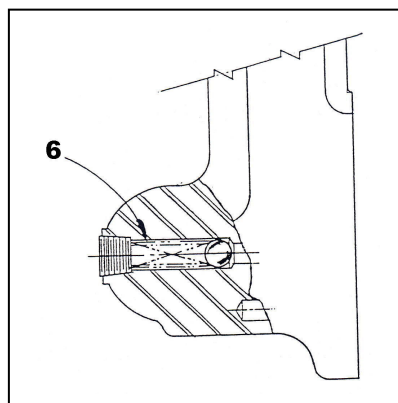
If above procedure does not correct the condition, air may be present in the chamber above the piston and should be removed as directed in **Filling Press with Oil** paragraph III.

SYMPTOM	CAUSE	SOLUTION
Oil leaking from piston oil seal.	1) Reservoir is over filled. * 2) Piston Packing is worn or damaged.	1) Drain excess oil. 2) Replace Piston Packing.
Press will not hold pressure.	1) Check Ball is contaminated. 2) Ball and Seat have poor contact. 3) Piston Packing is worn or damaged.	1) Remove and clean Check Balls and Seats. 2) Reseat Ball on Seat. 3) Replace Piston Packing.
Press will not build rated tonnage.	1) Pump Plunger Leather is worn or damaged. 2) See 1,2,3 Above. 3) Gauge is defective.	1) Replace Pump Plunger leather. 2) See 1,2,3 Above. 3) Replace Gauge.
Oil leaking from pump plunger	1) Packing Nut Loose. 2) Worn Packings.	1) Tighten Packing Nut. 2) Replace packings.
Oil leaking from release valve rod	1) Valve Rod Packing Nut is Loose 2) Packings are worn.	1) Tighten Packing Nut. 2) Replace Packings.
Pump handle drifts up.	Defective Check Ball or Check Ball Spring.	Clean Check Ball, Reseat. Replace Spring.
Ram will not return.	Return Spring damaged. Piston is bent or damaged. Piston Packing is defective.	Replace Spring. Replace Piston. Replace Piston Packing.
* <b>Note: If press leaks around the ram but holds pressure the reservoir has been overfilled.</b>		



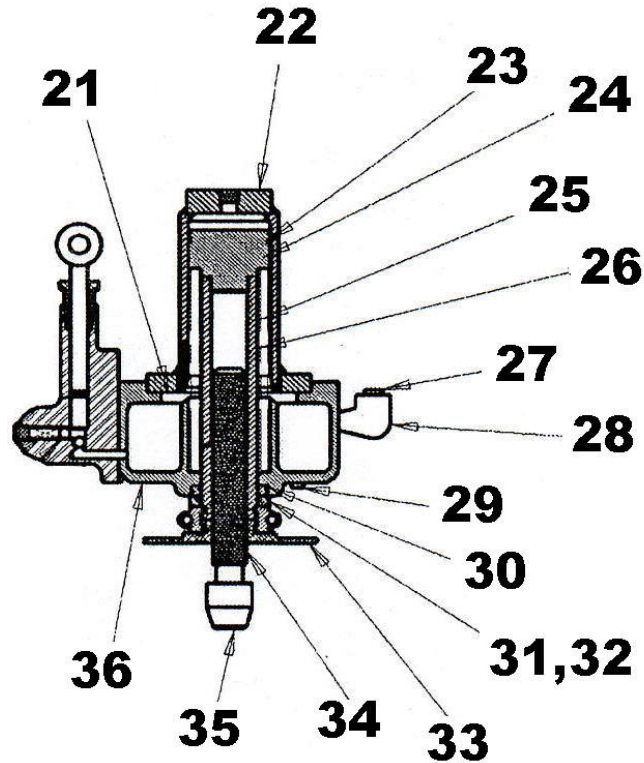
724 Robbins Road  
 Grand Haven, MI 49417  
 Phone: 616-842-7110 800-937-3253  
 Fax: 616-842-0859 800-846-3253  
 Web: [www.dakecorp.com](http://www.dakecorp.com)  
 E-mail: [customerservice@dakecorp.com](mailto:customerservice@dakecorp.com)  
[technicalservice@dakecorp.com](mailto:technicalservice@dakecorp.com)

# HANDPUMP ASSEMBLY



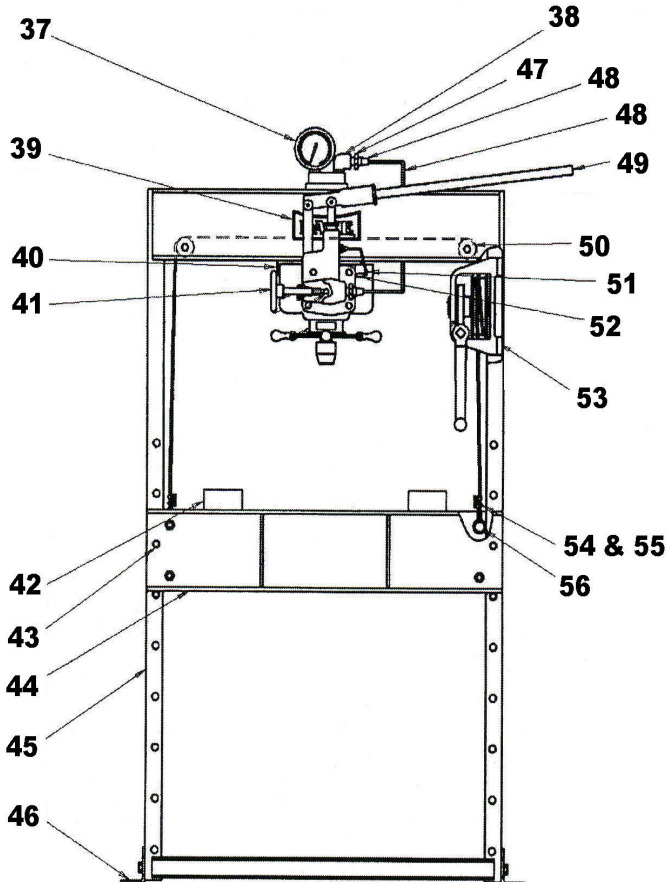
Item	Qty	Description	Part No.
1	1	Pump Body	546
2	3	Ball valve 1/2" Dia.	586
3	1	1/4"-20 x 1/2" Nylock Hex Cap Screw	28297
4	1	Washer #12 Flat	43629
5	1	Pump Plunger Leather	599
6	1	Check Valve Spring	579
7	1	Fitting, Tube, Poly-Tite	71413
8	7	Pump Packing	573
9	1	Pump Packing Nut	551
10	1	Handle Socket	550
11	1	Handle Socket Link	555
12	6	3/8" Retaining Rings	43972
13	1	Pump Plunger	554
14	3	Handle Socket Pin	594
15	1	Valve Rod	1129
16	1	Valve Rod Packing Nut	576
17	8	Valve Rod Packing	987
18	1	3/8" Pipe Plug	588
19	1	3/8"-16 x 5/8" Set Screw	43589
20	1	Pump Gasket	591
<b>Hand Pump Assembly Complete</b>			<b>700887</b>
<b>Repair Kit – Cylinder &amp; Hand Pump Assembly (Includes items – 5,8,17,20,21,23,30,31)</b>			<b>701290</b>

## WORKHEAD ASSEMBLY



Item	Qty	Description	Part No.
21	1	Cylinder Gasket	998
22	1	Cylinder	960
23	1	Packing Ring (Serial No. > 192522)	17976
	1	Piston Leather (Serial No. < 192523) (Used with supporting ring no. 967)	969
24 & 25	1	Piston Assembly (Serial No. < 192522)	701800
	1	Piston Assembly (Serial No. > 192523)	716221
26	1	Ram Spring	968
27	1	1/2" Pipe Plug	596
28	1	1/2" Street Elbow	590
29	1	1/8" Pipe Plug	589
30	1	Oil Seal	999
31	1	Piston Bumper	996
32	2	Clamp Ring	982M
33	1	Screw Adjusting Wheel	716518
34	1	Screw	971
35	1	Screw Nose *Thumb screw if needed 43618	986
36	1	Reservoir	963
<b>Repair Kit – Cylinder &amp; Hand Pump Assembly (Includes – Items 5,8,17,20,21,23,30,31)</b>			<b>701290</b>

## FRAME ASSEMBLY



Item	Qty	Description	Part No.
37	1	Gauge	71265
	1	Bushing	81384
38	1	½" Tube Elbow	1252
39	1	Name Plate	81002
40	1	Air Vent Tube	632
41	1	Hand Wheel	10631
42	2	Table Plates	966
43	4	Table Pins	981
44	2	Table Channel	701020
45	1	Frame	700134
46	2	Base Angles	978
47	2	Tube Fittings	1251
48	1	Tube Assembly	700133
49	1	Handle	218
50	2	Pulley	602
	2	Pulley bolt	43341
	2	Pulley lock washer	43645
	2	Pulley nut	43912
51	9"	Tube, ¼" Plastic	67761
52	2	Fitting, Tube, Poly-Tite	71413
53	2	Spacer	997
54	1	Cable	988
55	4	Cable Clamps	991
56	4	Table Spacer Assembly one each of washer, bolt, spacer per part #	716691

## TABLE HOIST

Item	Qty	Description	Part No.
57	1	Hand Crank Assembly	1000
58			
59	1	Worm Shaft	384
60	2	Retaining Ring	27437
61	1	Worm Key	47364
62	1	Worm	385
63	1	Hoist Frame	725
64	1	Hex Cap Screw	43335
65	1	Hex Nut	43912
66	1	Drum Shaft	724
67	1	Drum Key	737
68	1	Worm Gear	736
69	1	Cable Drum	723
70		Retaining Ring	43992
<b>Complete Table Hoist Assembly</b>			<b>700112-S</b>

