



Model 1-1/2, 1-1/2B and 1-3/4

Ratchet Leverage Arbor Press

Instruction and Parts list

MODEL 1-1/2

| <u>Item</u> | <u>Part Name</u> | <u>Part No.</u> |
|-------------|----------------------------------|-----------------|
| 1 | Handwheel | 167 |
| 2 | 3/8-16 x 3/8" Headless set screw | 43586 |
| 3 | 3/8-16 x 5/8" Headless set screw | 43589 |
| 4 | Brake spring | 108 |
| 5 | Tinners rivet (1# per 1000) | 43577 |
| 6 | Ram (1 1/4" x 1 1/4" x 16 1/2") | 147 |
| 6 | Ram same dimensions stainless | 147SS |
| 7 | Rest pin | 174 |
| 8 | Pawl | 177 |
| 9 | Pawl pin | 175 |
| 10 | Leverweight | 176 |
| 11 | 3/8-16 x 5/8" Headless set screw | 43589 |
| 12 | 3/8-16 x 5/8" Headless set screw | 43589 |
| 13 | Retaining ring | 67424 |
| 14 | Handle | 179 |
| 15 | Ram cap shims (.008") | 145 |
| 16 | Ram cap shim (.015") | 146 |
| 17 | Spindle | 180 |
| 18 | Ram cap | 142 |
| 19 | 5/16" x 1" Hex cap screw | 43315 |
| 20 | Table plate assembly | 700807 |
| 21 | Main casting | 172 |

MODEL 1-3/4

| <u>Item</u> | <u>Part Name</u> | <u>Part No.</u> |
|-------------|-------------------------------|-----------------|
| 22 | Main casting | 173 |
| 23 | 3/8"-16 x 1 3/4" Machine Bolt | 43669 |

MODEL 1-1/2 B

| <u>Item</u> | <u>Part Name</u> | <u>Part No.</u> |
|-------------|---------------------------------|-----------------|
| 6 | Ram (1 1/4" x 1 1/4" x 24 1/2") | 191 |
| 15 | Ram cap shim (.008") | 434 |
| 16 | Ram cap shim (.015") | 435 |
| 18 | Ram cap | 188 |
| 19 | 3/8" x 1" Hex cap screw | 43328 |
| 20 | Table plate assembly | 700941 |
| 21 | Main casting | 184 |

Please contact factory for current prices.

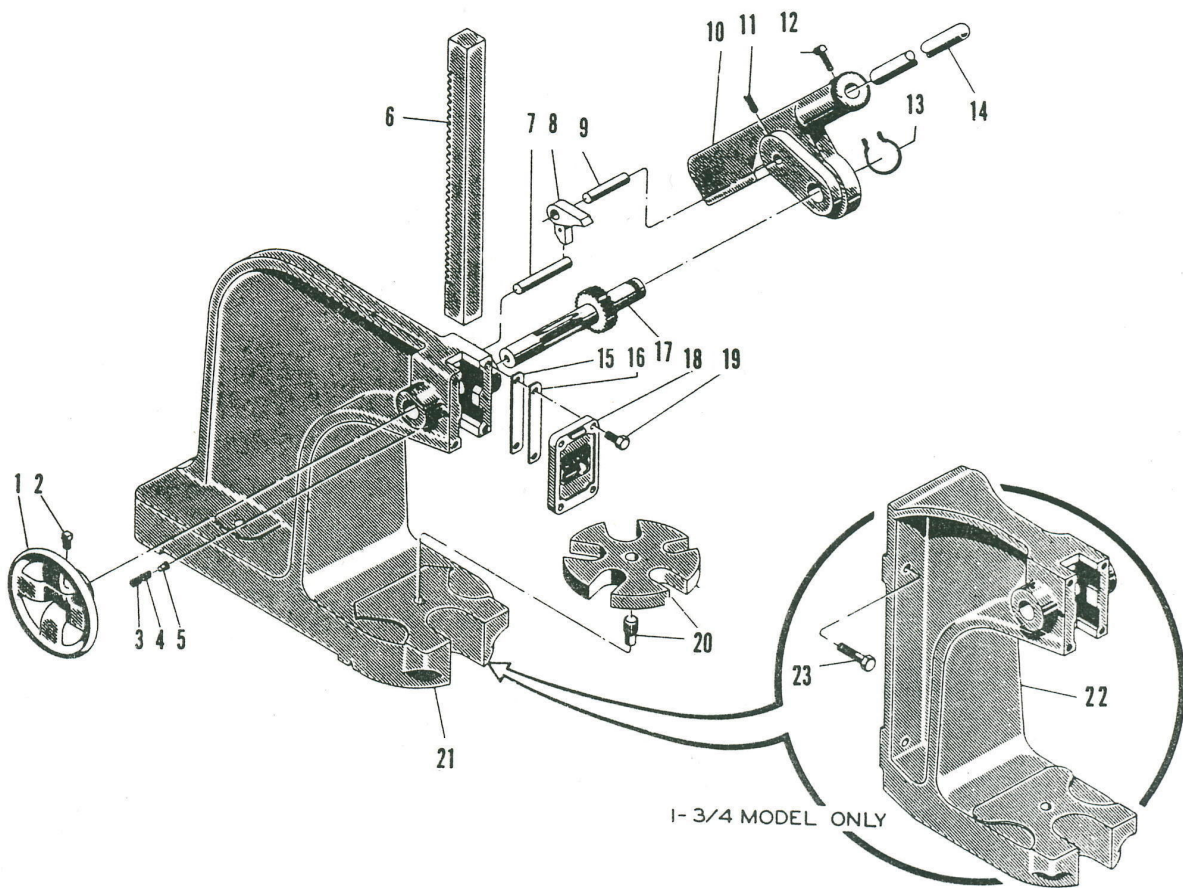
Ordering information: Please order all repair parts by part number and name, also mention model number of press. All parts are shipped F.O.B. Factory in Grand Haven, MI.

Lubrication: Keep all working parts of the press well oiled for easier operation. Also keep a light film of oil over the entire surface of the ram to prevent rust.

DAKE

Division of JSJ Corp.
724 Robbins Road
Grand Haven, MI 49417

Phone: 616-842-7110 800-937-3253
Fax: 616-842-0859 800-846-3253
E-Mail: customerservice@dakecorp.com
technicalservice@dakecorp.com
Website: www.dakecorp.com



| ⚠ WARNING | | |
|---|--|---|
| | | |
| Establish solid footing to prevent falls. | Keep hand away from point of operation. Read instructions. | Guard workpiece to prevent projectiles from reaching operator. Wear eye protection. |

| ⚠ WARNING |
|---|
| Equipment must be securely anchored to prevent tipping. |
| |



SAFETY

This is the safety alert symbol. When you see this symbol on your press, be alert to the potential for personal injury.

Follow recommended precautions and safe operating practices.

Carefully read all safety messages in these instructions and on your press safety signs. Keep safety labels in good condition. Replace missing or damaged safety labels.


This machine is intended to be operated by one person. This person should be conscious of the press ram movement not only for themselves but also for persons in the immediate area of the machine.

Under no circumstances increase the leverage ratio of the press by using a longer handle or by placing a pipe over the handle. Never hammer on top of the ram.

NOTE: Please refer to parts drawing for identification of components outlined on this safety warning sticker.

Model: 1 1/2, 1 1/2B and 1 3/4

WARNING



Beware of pinch points, handle to frame and ram to table or work.

Beware handle can free fall if pawl and gear are not engaged.

Never pull handle beyond horizontal plane allowing disengagement of pawl and gear.

Always bring ram to work or table with handwheel while holding pressing handle up ensuring engagement of pawl and gear.

Frame - Item 21 (Main casting) Part Number 172
Frame - Item 21 (Main Casting) Part Number 184
Frame - Item 22 (Main casting) Part Number 173
Table Plate Assembly - Item 20 Part Number 700807
Table Plate Assembly – Item 20 Part Number 700941

Pawl - Item 8
Gear - Item 17 (Spindle)

Handle - Item 14 (Spindle)
Pawl - Item 8
Gear - Item 17 (Spindle)

Ram - Item 6 Part Number 106
Ram - Item 6 Part Number 191
Table Plate Assembly - Item 20 Part Number 700807
Table Plate Assembly - Item 20 Part Number 700941
Pawl - Item 8
Gear - Item 17 (Spindle)
Hand wheel - Item 1



This is the safety alert symbol. When you see this symbol on your press, be alert to the potential for personal injury.