



EliteMetalTools.com

281-241-9504

insidesales@elitemetaltools.com

M-F 8:00 AM - 7:30 PM EST

Wilton Multi-Purpose Bench Vise, 6-1/2" Jaw Width", 360° Rotating Head & Base 28845

~~\$768.89~~

\$525 Save \$243.89!

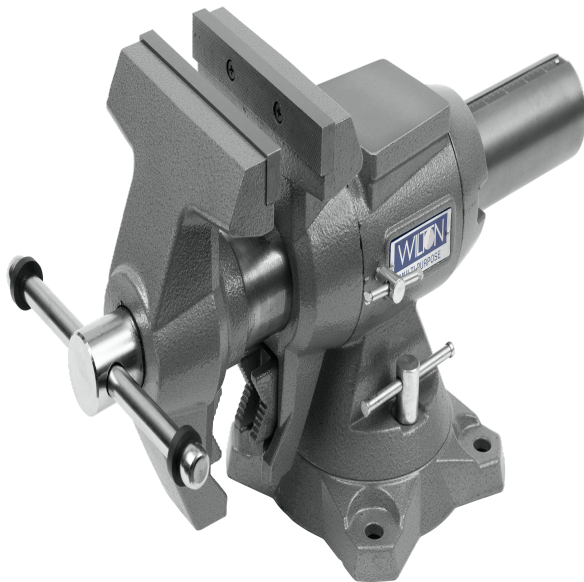
As low as \$17/mo through Elite Metal Tools financing partners.



FREE SHIPPING



Use your phone to take a picture of this QR Code to learn more!



*Images may display items not included with purchase

Specifications

Manufacturer	Wilton
EMT ID	14424
SKU	WL9-28845
UPC	731325869521
Shipping Method	Ground
Weight	61.6 lb
Dimensions	23.2 × 11 × 10.6 in
Country of Origin	China
Warranty	1 Year (Parts)



- Replaceable steel pipe jaws
- 360° rotating head for clamping material at any angle
- Indexed at 30° increments for quick set up
- Large built-in anvil for forming and shaping materials
- Replaceable hardened steel jaws with a serrated pattern ensure grip and a long life

Free Shipping

Free shipping on ALL machines throughout the contiguous United States to all commercial locations.



Product Selection

A wide selection of machinery for you to compare brands and features. Find the right machine for your job.

Knowledgeable Staff

When you have questions, we have the staff that will help you find the answer and equipment that best fits your needs.

Customer Service

Fast and friendly service centered around creating a positive experience.

Price Matching

Our prices are highly competitive. However, if you find an item cheaper somewhere else, we will match that price. Contact us for details.